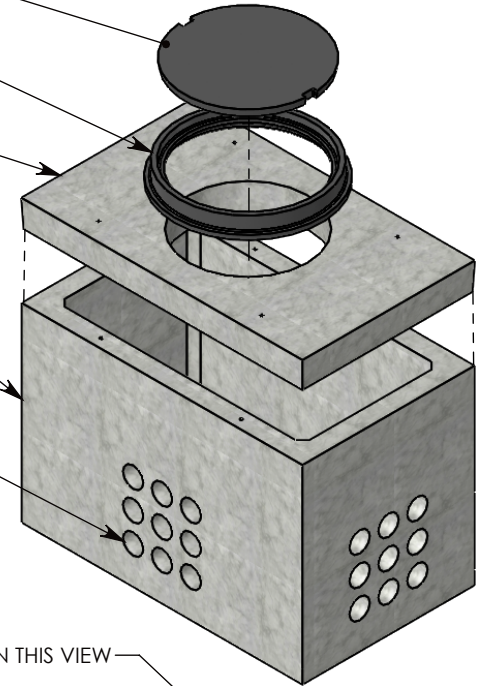


- CAST IRON MANHOLE LID
~239 LBS
P/N: CI-32-26-CVR
- 34 INCH CAST IRON FRAME
~150 LBS
P/N: CI-32-26-FRM
- H-20 HEAVY TRAFFIC RATED
CONCRETE MANHOLE COVER
~954 LBS
P/N: 38-62-MH

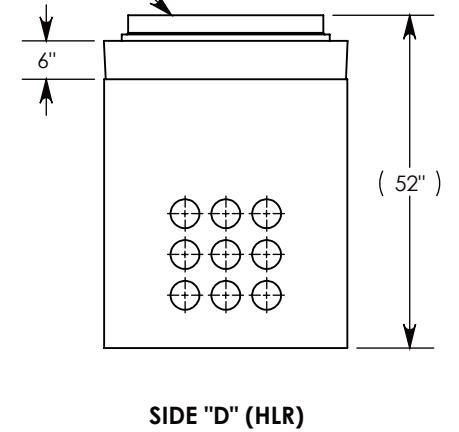
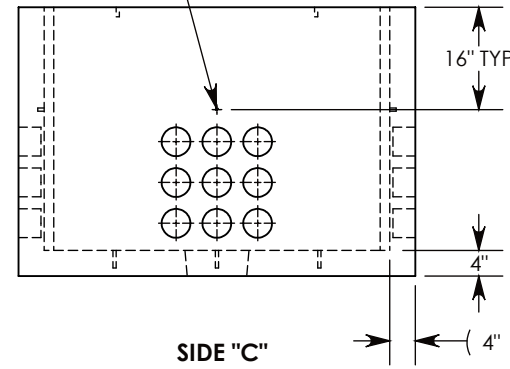
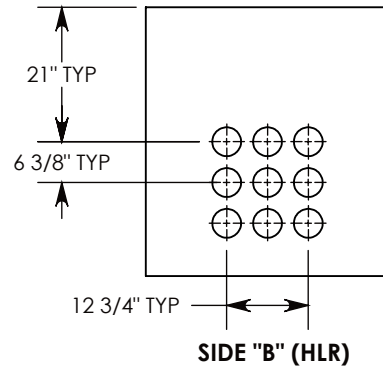
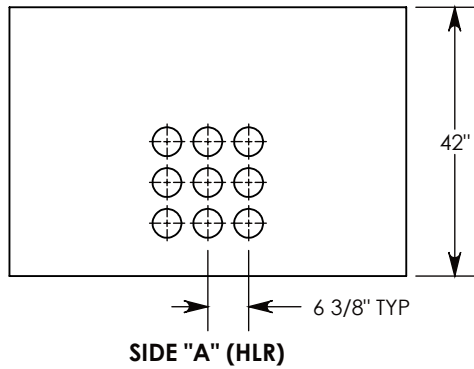
CONCRETE PULL BOX
~2881 LBS
P/N: PB9-38-62-42

CON-DUCT TERMINATIONS ARE CAST INTO BOX SIDEWALLS. 9 PER SIDE (4X) THEY FIT UP TO 4" PVC PIPE. TO ACCESS THE HOLES, BREAK THE PLASTIC SEAL.



\varnothing 1/2"-13 UNC INSERT (4X) FOR PULLING EYES. LOCATED ON BOX INTERIOR (1X PER SIDE)

COVER SHOWN IN THIS VIEW



NOTE 1: FOR PVC SIZES SMALLER THAN 4", USE CONCAST RC41 (REDUCING COUPLER).

AASHTO H-20 RATED - 32,000 LB. SINGLE AXLE LOAD

DRAWN BY: ROBIN FLINT

DATE: 5/25/2018

REVISION LEVEL: B

WEIGHT:

MATERIAL:

4225 LBS. W/COVER

NOTED



DESCRIPTION:

PULL BOX W/MANHOLE COVER

DIMENSIONS ARE IN INCHES
 TOLERANCES:
 FRACTIONAL: $\pm 1/8"$
 ANGULAR: $\pm 2^\circ$

CONTACT INFORMATION:
 EMAIL: INFO@CONCASTINC.COM
 PHONE: (507) 732-4095
 FAX: (507) 732-4094

SHEET 1 OF 1

PART NUMBER:

PB9-38-62-42-MH