

$\phi$  1/2"-13 UNC INSERTS (4X) FOR LIFTING & PULLING

H-20 HEAVY TRAFFIC RATED FIBERGLASS COVER (2X)  
 ~99 LBS  
 P/N: 38-22-HTFG

1/2-13 UNC X 1.5" LG HEX HD BOLT  
 P/N: HHB.5-1.5 (4X)

BOLT DOWN GALV. STEEL FRAME  
 ~93 LBS  
 P/N: 38-62-FRM

CONCRETE PULL BOX  
 ~3549 LBS  
 P/N: PB9-38-62-53

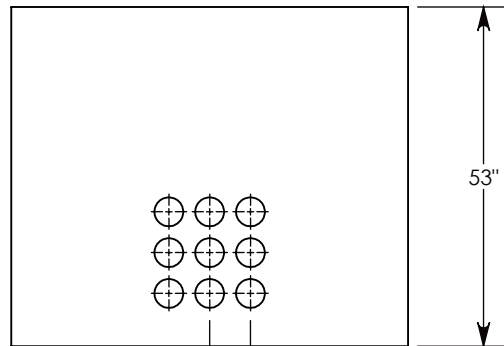
CON-DUCT TERMINATIONS ARE CAST INTO BOX SIDEWALLS. 9 PER SIDE (4X) THEY FIT UP TO 4" PVC PIPE. TO ACCESS THE HOLES, BREAK THE PLASTIC SEAL.

$\phi$  1/2"-13 UNC INSERT (4X) FOR PULLING EYES, LOCATED ON BOX INTERIOR (1X PER SIDE)

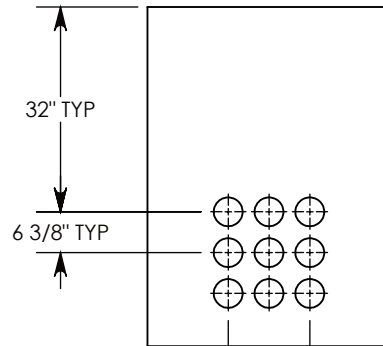
COVER SHOWN IN THIS VIEW

H-20 HEAVY TRAFFIC RATED FIBERGLASS COVER  
 ~80 LBS  
 P/N: 38-18-HTFG

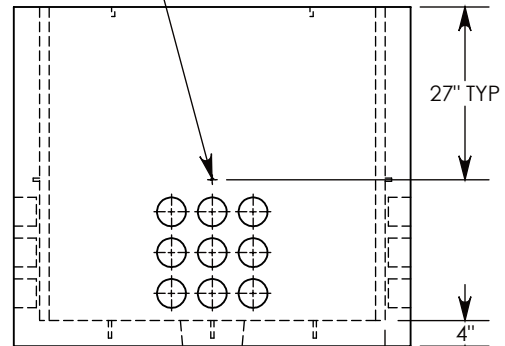
LIFTING PIN



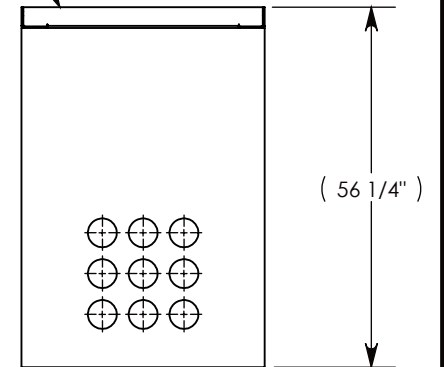
SIDE "A" (HLR)



SIDE "B" (HLR)



SIDE "C"



SIDE "D" (HLR)

NOTE 1: FOR PVC SIZES SMALLER THAN 4", USE CONCAST RC41 (REDUCING COUPLER)

AASHTO H-20 RATED - 32,000 LB. SINGLE AXLE LOAD

DRAWN BY: ROBIN FLINT	
DATE: 7/2/2018	REVISION LEVEL: A
WEIGHT: 3718 LBS. W/COVER	MATERIAL: NOTED

1010 NORTH STAR DRIVE  
 P.O. BOX 69  
 ZUMBROTA, MN 55992-0069

DESCRIPTION: <b>PULL BOX W/FIBERGLASS COVERS</b>		
DIMENSIONS ARE IN INCHES	CONTACT INFORMATION:	SHEET 1 OF 1
TOLERANCES: FRACTIONAL: $\pm 1/8"$ ANGULAR: $\pm 2^\circ$	EMAIL: INFO@CONCASTINC.COM PHONE: (507) 732-4095 FAX: (507) 732-4094	
PART NUMBER: <b>PB9-38-62-53-HTFG</b>		