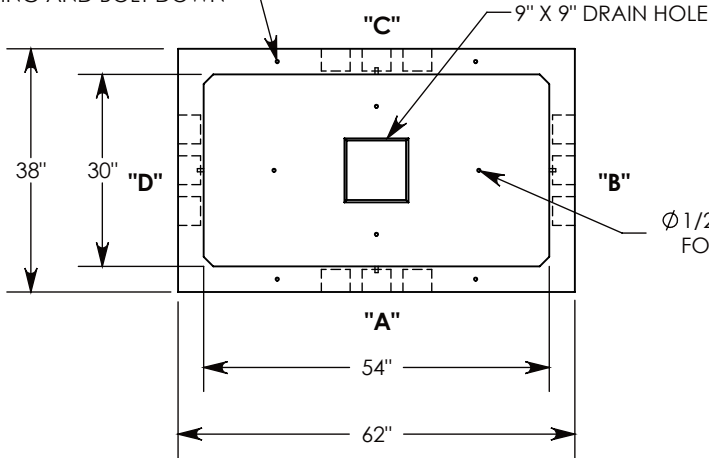
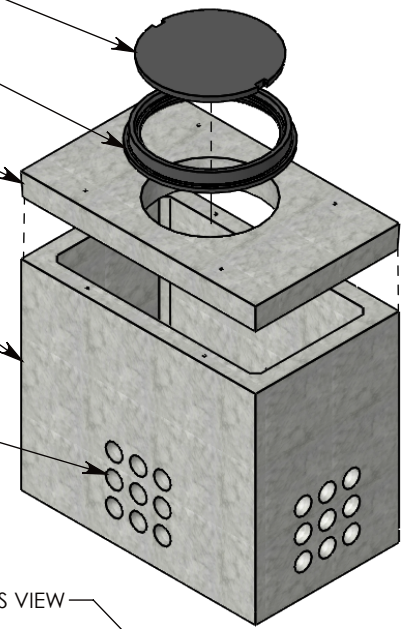


Ø 1/2"-13 UNC INSERTS (4X)
FOR LIFTING AND BOLT DOWN



- CAST IRON MANHOLE LID
~239 LBS
P/N: CI-32-26-CVR
- 34 INCH CAST IRON FRAME
~150 LBS
P/N: CI-32-26-FRM
- H-20 HEAVY TRAFFIC RATED
CONCRETE MANHOLE COVER
~954 LBS
P/N: 38-62-MH

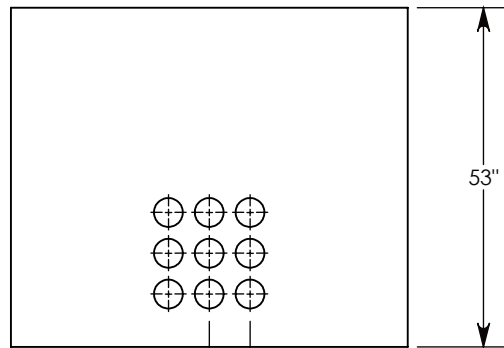


CONCRETE PULL BOX
~3549 LBS
P/N: PB9-38-62-53

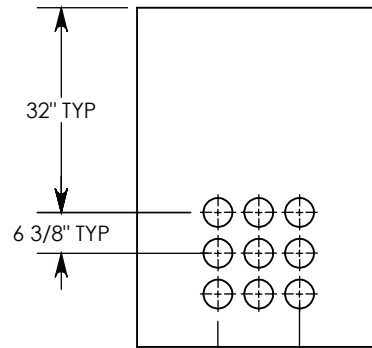
CON-DUCT TERMINATIONS ARE CAST INTO BOX SIDEWALLS. 9 PER SIDE (4X) THEY FIT UP TO 4" PVC PIPE. TO ACCESS THE HOLES, BREAK THE PLASTIC SEAL.

Ø 1/2"-13 UNC INSERT (4X) FOR PULLING EYES. LOCATED ON BOX INTERIOR (1X PER SIDE)

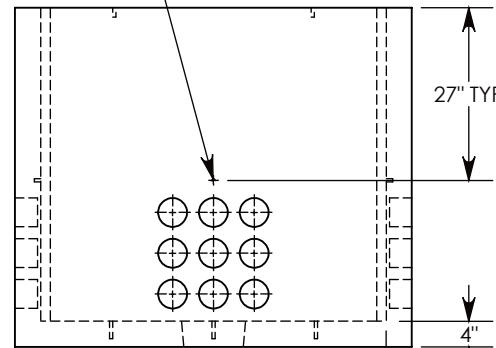
COVER SHOWN IN THIS VIEW



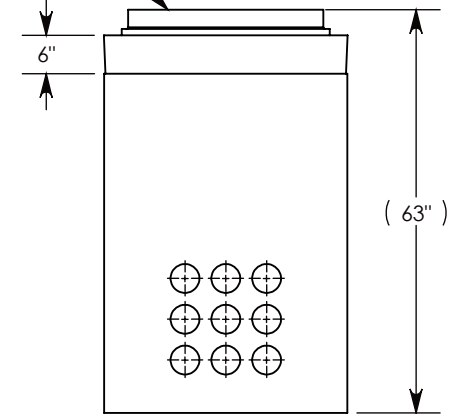
SIDE "A" (HLR)



SIDE "B" (HLR)



SIDE "C"



SIDE "D" (HLR)

NOTE 1: FOR PVC SIZES SMALLER THAN 4", USE CONCAST RC41 (REDUCING COUPLER).

AASHTO H-20 RATED - 32,000 LB. SINGLE AXLE LOAD

DRAWN BY: ROBIN FLINT	
DATE: 5/25/2018	REVISION LEVEL: B
WEIGHT: 4892 LBS. W/COVER	MATERIAL: NOTED



1010 NORTH STAR DRIVE
P.O. BOX 69
ZUMBROTA, MN 55992-0069

DESCRIPTION: PULL BOX W/MANHOLE COVER		
DIMENSIONS ARE IN INCHES TOLERANCES: FRACTIONAL: ± 1/8" ANGULAR: ± 2°	CONTACT INFORMATION: EMAIL: INFO@CONCASTINC.COM PHONE: (507) 732-4095 FAX: (507) 732-4094	SHEET 1 OF 1
PART NUMBER: PB9-38-62-53-MH		