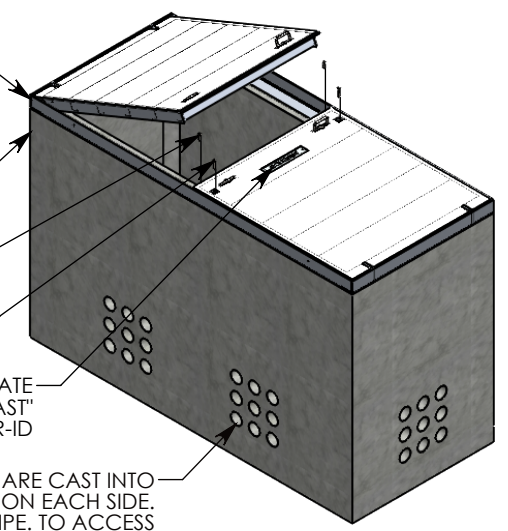
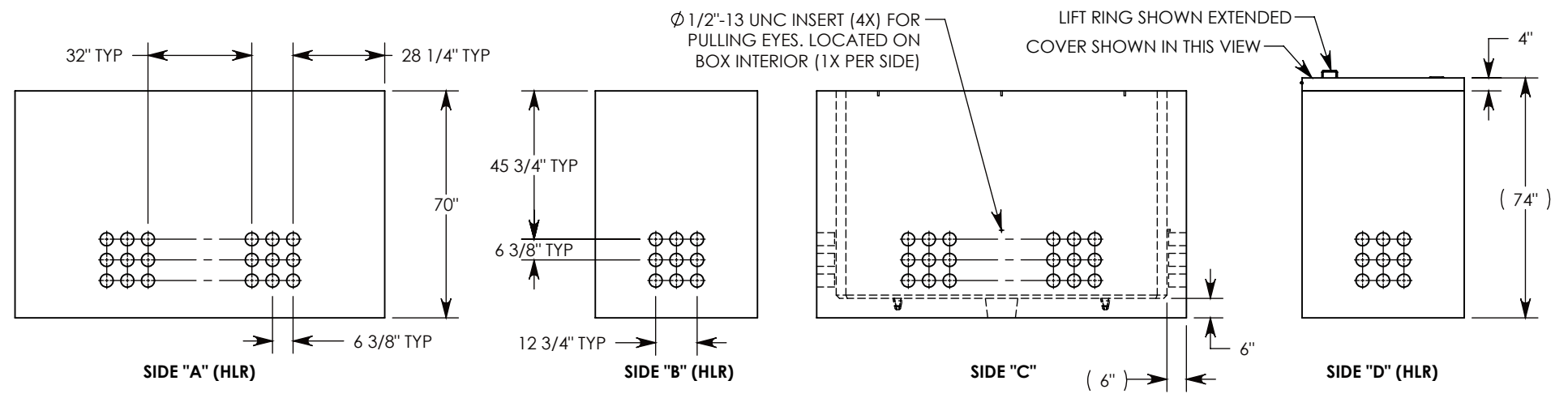


- BOLT-DOWN ALUMINUM FRAME & HA COVER
~297 LBS.
P/N: 50-114-HA
- CONCRETE PULL BOX
~12105 LBS
P/N: PB9-50-114-70
- 1/2-13 UNC X 1.5" LG HEX HD BOLT (6X)
P/N: HHB.5-1.5
- 3/8-16 UNC X 2.5" LG HEX HD BOLT (2X)
P/N: HHB.38-2.5



ALUM ID PLATE "CONCAST"
 P/N: LTR-ID
 CON-DUCT TERMINATIONS ARE CAST INTO BOX SIDEWALLS. SETS OF 9 ON EACH SIDE. THEY FIT UP TO 4" PVC PIPE. TO ACCESS THE HOLES, BREAK THE PLASTIC SEAL



NOTE 1: FOR PVC SIZES SMALLER THAN 4", USE CONCAST RC41 (REDUCING COUPLER).

NOTE 2: FOR ADDED SECURITY, PENTA HEAD (P/N: PTA.38-2.5) OR SURELOCK BOLTS (P/N: SL.38-2.5) CAN BE ADDED

PEDESTRIAN RATED - 200 LB. PER SQ. FOOT

DRAWN BY: SAMUEL CALLAHAN	
CREATED DATE: 9/3/2021	REVISION LEVEL: 0
SAVED DATE: 9/3/2021	SAVED BY: scallahan
WEIGHT: 12403 LBS.	MATERIAL: NOTED

1010 NORTH STAR DRIVE
 P.O. BOX 69
 ZUMBROTA, MN 55992-0069

DESCRIPTION:		SHEET 1 OF 1
CONCRETE PULL BOX W/ HA COVER		
DIMENSIONS ARE IN INCHES	CONTACT INFORMATION:	SHEET 1 OF 1
TOLERANCES:	EMAIL: INFO@CONCASTINC.COM	
FRACTIONAL: $\pm 1/8$ "	PHONE: (507) 732-4095	
ANGULAR: $\pm 2^\circ$	FAX: (507) 732-4094	
PART NUMBER:		
PB9-50-114-70-HA		