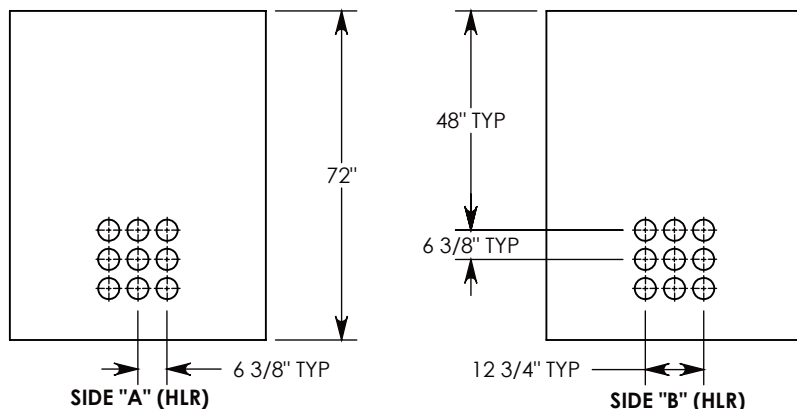
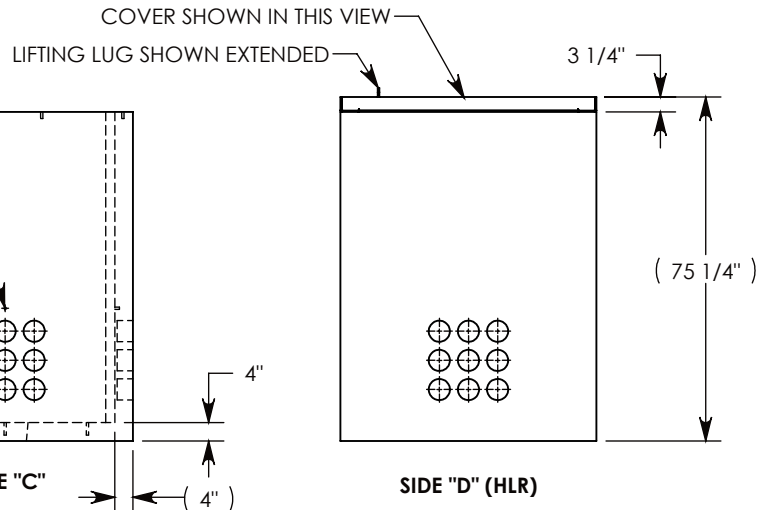


$\phi 1/2"$ -13 UNC INSERT (4X) FOR PULLING EYES. LOCATED ON BOX INTERIOR (1X PER SIDE)



NOTE 1: FOR PVC SIZES SMALLER THAN 4", USE CONCAST RC41 (REDUCING COUPLER)

AASHTO H-20 RATED - 32,000 LB. SINGLE AXLE LOAD

DRAWN BY: MALACHI MLINAR	
CREATED DATE: 9/20/2018	REVISION LEVEL: A
SAVED DATE: 10/10/2019	SAVED BY: scallahan
WEIGHT: 6024 LBS.	MATERIAL: NOTED

1010 NORTH STAR DRIVE
 P.O. BOX 69
 ZUMBROTA, MN 55992-0069

DESCRIPTION: PULL BOX W/ GALV. STEEL COVER		SHEET 1 OF 1
DIMENSIONS ARE IN INCHES TOLERANCES: FRACTIONAL: $\pm 1/8"$ ANGULAR: $\pm 2^\circ$		
PART NUMBER: PB9-56-56-72-RSGSLP		CONTACT INFORMATION: EMAIL: INFO@CONCASTINC.COM PHONE: (507) 732-4095 FAX: (507) 732-4094