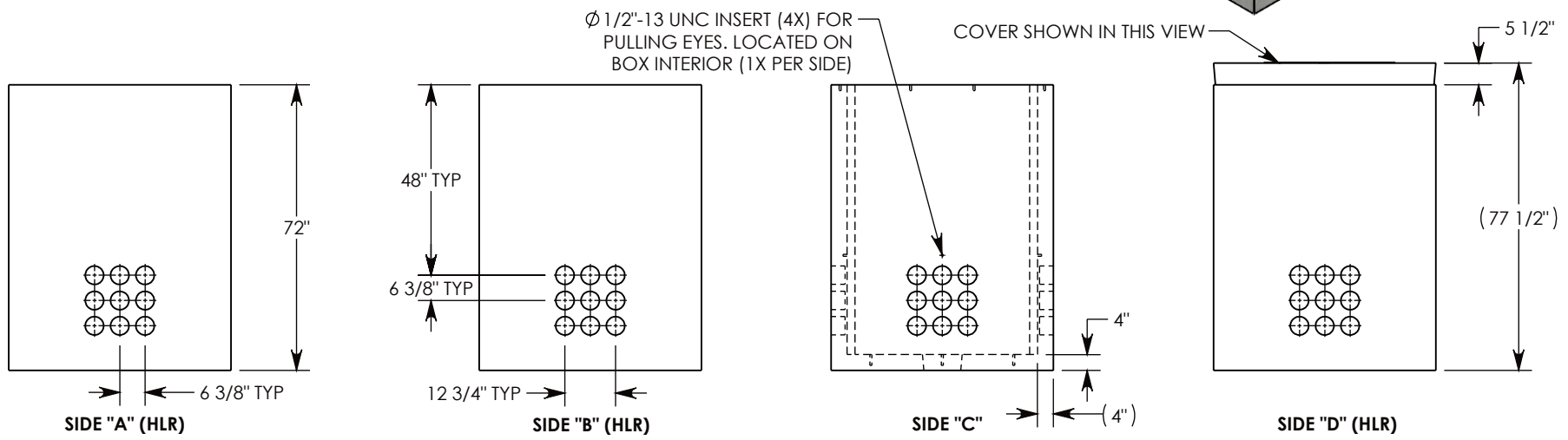
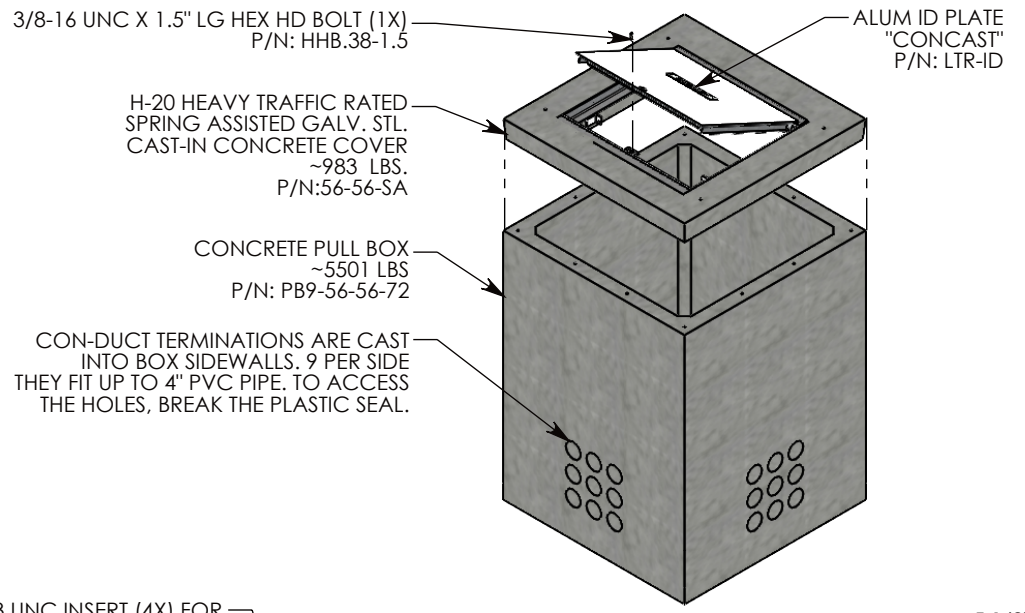
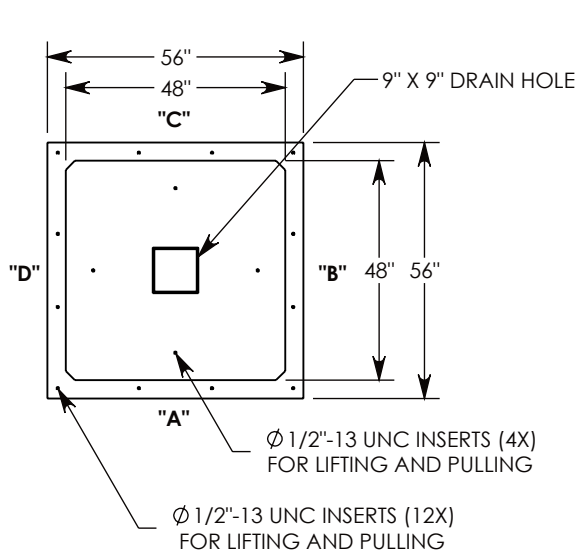


REV. A - SIC - 10/10/2019 - UPDATED DIMENSIONS

REV. B - SIC - 10/10/2023 - 56-56-SA COVER DESIGN UPDATED; 56-56-SA COVER WEIGHT CHANGED TO 983 LBS, WAS 1,111 LBS; OVERALL HEIGHT CHANGED TO 77 1/2", WAS 78"; OVERALL ASSEMBLY WEIGHT CHANGED TO 6,485 LBS, WAS 6,612 LBS



NOTE 1: FOR ADDED SECURITY, PENTA HEAD (P/N: PTA.38-1.5) OR SURELOCK BOLTS (P/N: SL.38-1.5) CAN BE ADDED

NOTE 2: FOR PVC SIZES SMALLER THAN 4", USE CONCAST RC41 (REDUCING COUPLER).

AASHTO H-20 RATED - 32,000 LB. SINGLE AXLE LOAD

DRAWN BY: SAMUEL CALLAHAN	
CREATED DATE: 6/3/2019	REVISION LEVEL: B
SAVED DATE: 10/10/2023	SAVED BY: scallahan
WEIGHT: 6485 LBS.	MATERIAL: NOTED

1010 NORTH STAR DRIVE
P.O. BOX 69
ZUMBROTA, MN 55992-0069

DESCRIPTION: PULL BOX W/SPRING-ASSIST COVER	
DIMENSIONS ARE IN INCHES TOLERANCES: FRACTIONAL: ± 1/8" ANGULAR: ± 2°	CONTACT INFORMATION: EMAIL: INFO@CONCASTINC.COM PHONE: (507) 732-4095 FAX: (507) 732-4094
PART NUMBER: PB9-56-56-72-SA	
SHEET 1 OF 1	