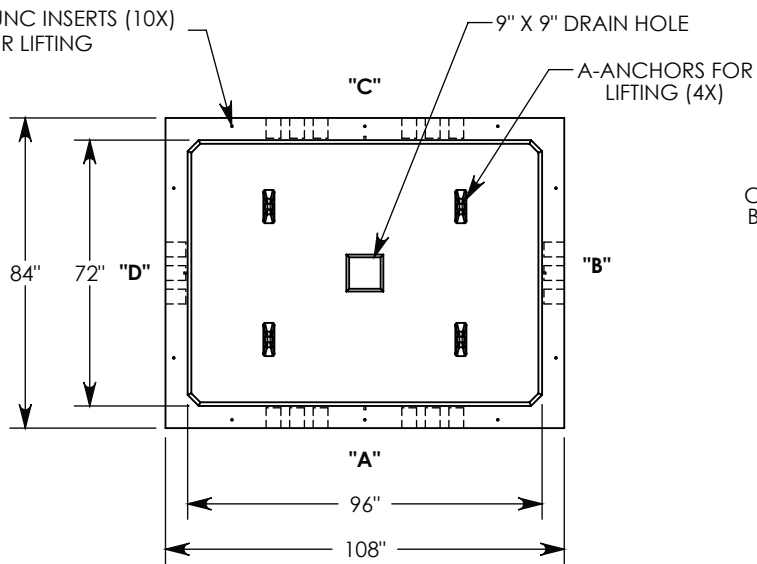
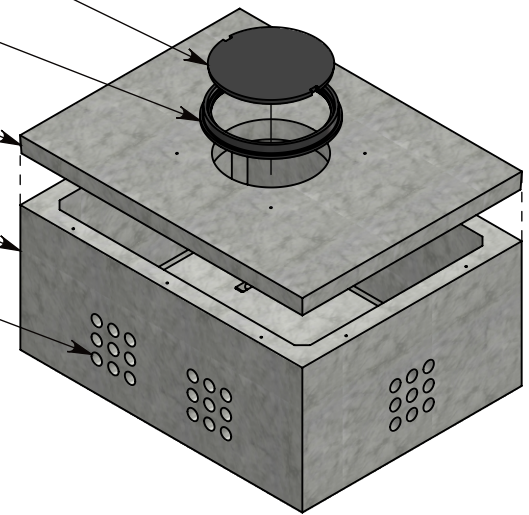


Ø 1/2"-13 UNC INSERTS (10X)
FOR LIFTING



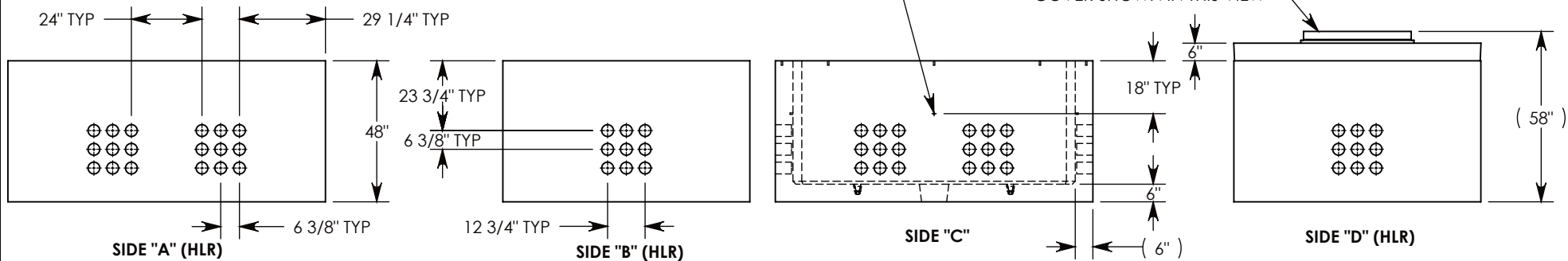
- CAST IRON MANHOLE LID
~353 LBS
P/N: CI-38-32-CVR
- 34 INCH CAST IRON FRAME
~178 LBS
P/N: CI-38-32-FRM
- H-20 HEAVY TRAFFIC RATED
CONCRETE MANHOLE COVER
~4518 LBS
P/N: 84-108-MH



- CONCRETE PULL BOX
~11601 LBS
P/N: PB9-84-108-48

CON-DUCT TERMINATIONS ARE CAST INTO
BOX SIDEWALLS. SETS OF 9 ON EACH SIDE.
THEY FIT UP TO 4" PVC PIPE. TO ACCESS
THE HOLES, BREAK THE PLASTIC SEAL

Ø 1/2"-13 UNC INSERT (4X) FOR
PULLING EYES. LOCATED ON
BOX INTERIOR (1X PER SIDE)



NOTE 1: FOR PVC SIZES SMALLER THAN 4", USE CONCAST RC41 (REDUCING COUPLER).

AASHTO H-20 RATED – 32,000 LB. SINGLE AXLE LOAD

| | |
|---------------------------------|---------------------------|
| DRAWN BY: MALACHI MLINAR | |
| DATE: 4/3/2019 | REVISION LEVEL: A |
| WEIGHT: 16650 LBS. | MATERIAL: NOTED |



1010 NORTH STAR DRIVE
P.O. BOX 69
ZUMBROTA, MN 55992-0069

| | | |
|--|--|--------------|
| DESCRIPTION: PULL BOX W/ ALUMINUM COVER | | |
| DIMENSIONS ARE IN INCHES TOLERANCES: FRACTIONAL: ± 1/8" ANGULAR: ± 2° | CONTACT INFORMATION: EMAIL: INFO@CONCASTINC.COM PHONE: (507) 732-4095 FAX: (507) 732-4094 | SHEET 1 OF 1 |
| PART NUMBER: PB9-84-108-48-MH | | |