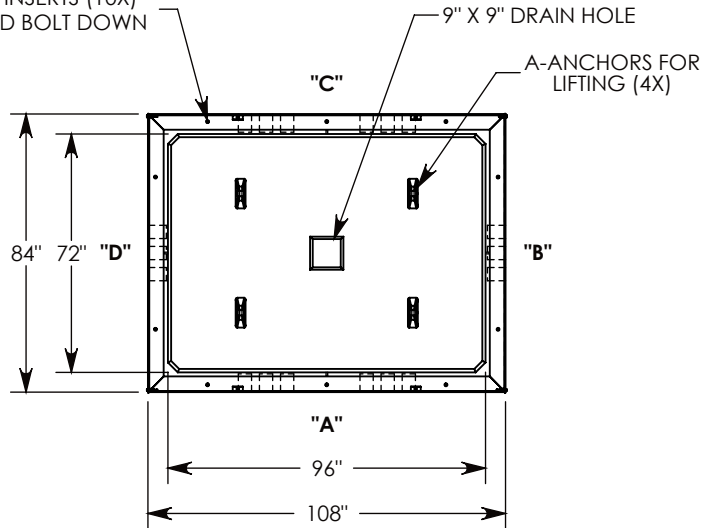


Ø 1/2"-13 UNC INSERTS (10X)  
FOR LIFTING AND BOLT DOWN



3/8-16 UNC X 1.5" LG HEX HD BOLT (4X)  
P/N: HHB.38-1.5

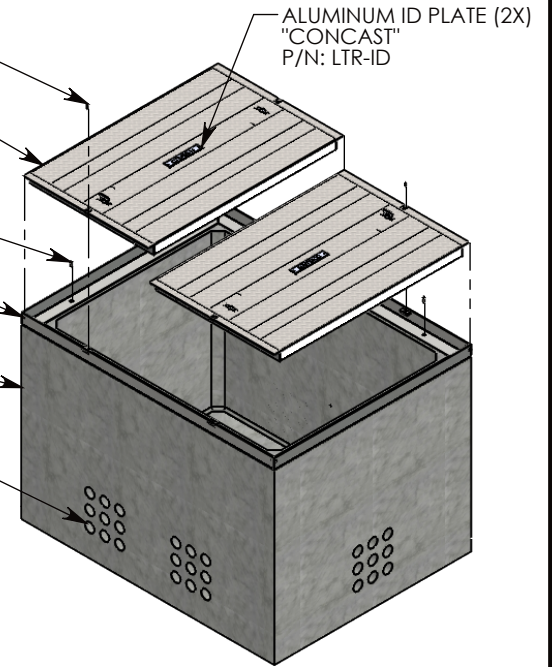
H-20 HEAVY TRAFFIC RATED  
GALVANIZED STEEL COVER (2X)  
~633 LBS  
P/N: 84-54-RSG

1/2-13 UNC X 1.5" LG HEX HD BOLT (10X)  
P/N: HHB.5-1.5

BOLT DOWN GALV. STEEL FRAME  
~153 LBS  
P/N: 84-108-FRM

CONCRETE PULL BOX  
~15882 LBS  
P/N: PB9-84-108-72

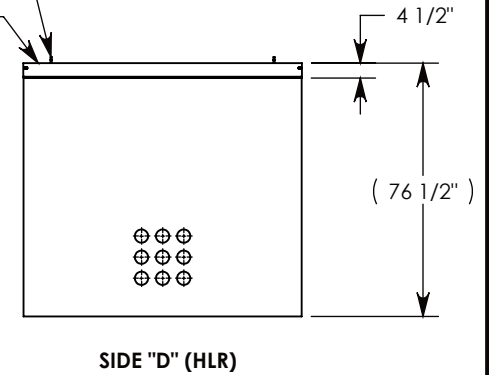
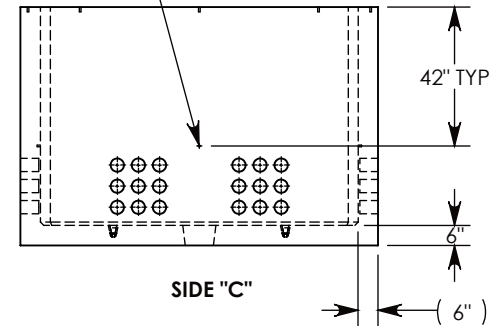
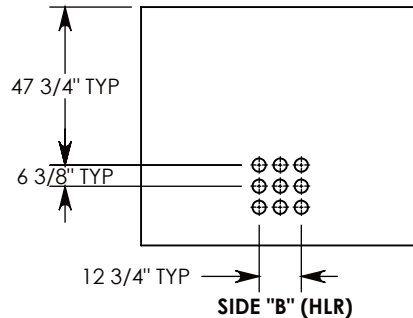
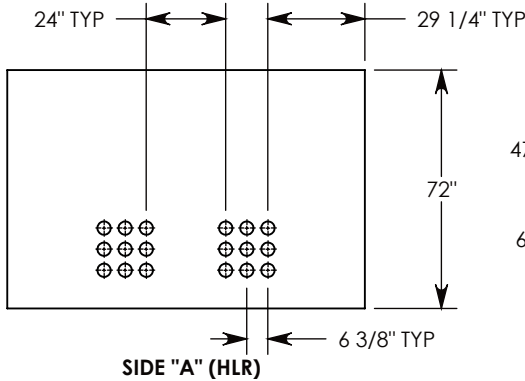
CON-DUCT TERMINATIONS ARE CAST INTO  
BOX SIDEWALLS. SETS OF 9 ON EACH SIDE.  
THEY FIT UP TO 4" PVC PIPE. TO ACCESS  
THE HOLES, BREAK THE PLASTIC SEAL



Ø 1/2"-13 UNC INSERT (4X) FOR  
PULLING EYES. LOCATED ON  
BOX INTERIOR (1X PER SIDE)

LIFTING LUG  
SHOWN EXTENDED

COVER SHOWN IN THIS VIEW



NOTE 1: FOR PVC SIZES SMALLER THAN 4", USE CONCAST RC41 (REDUCING COUPLER).

NOTE 2: FOR ADDED SECURITY, PENTA HEAD (P/N: PTA.38-1.5) OR SURELOCK BOLTS (P/N: SL.38-1.25) CAN BE ADDED

AASHTO H-20 RATED - 32,000 LB. SINGLE AXLE LOAD

<b>DRAWN BY: MALACHI MLINAR</b>	
<b>DATE: 6/12/2019</b>	<b>REVISION LEVEL: B</b>
<b>WEIGHT: 17381 LBS.</b>	<b>MATERIAL: NOTED</b>

1010 NORTH STAR DRIVE  
P.O. BOX 69  
ZUMBROTA, MN 55992-0069

<b>DESCRIPTION:</b> <b>PULL BOX W/ ALUMINUM COVER</b>		
DIMENSIONS ARE IN INCHES TOLERANCES: FRACTIONAL: ± 1/8" ANGULAR: ± 2°	CONTACT INFORMATION: EMAIL: INFO@CONCASTINC.COM PHONE: (507) 732-4095 FAX: (507) 732-4094	SHEET 1 OF 1
<b>PART NUMBER:</b> <b>PB9-84-108-72-RSG</b>		