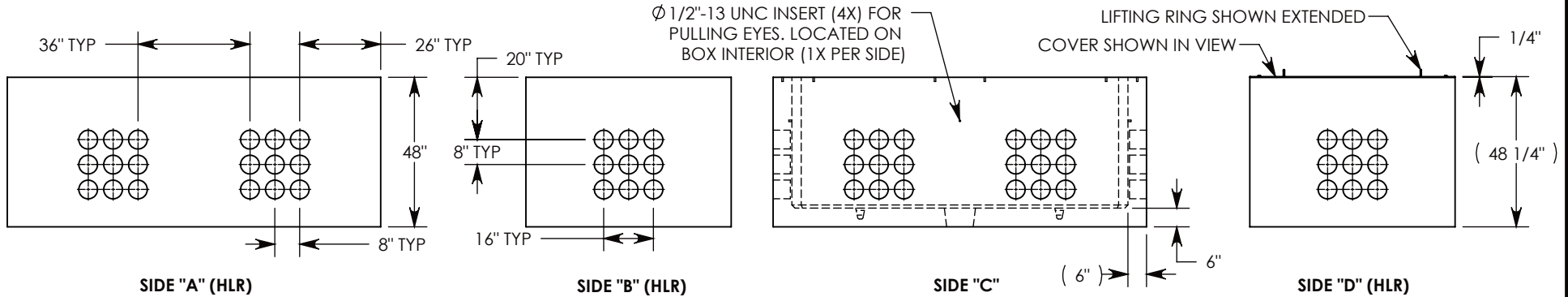
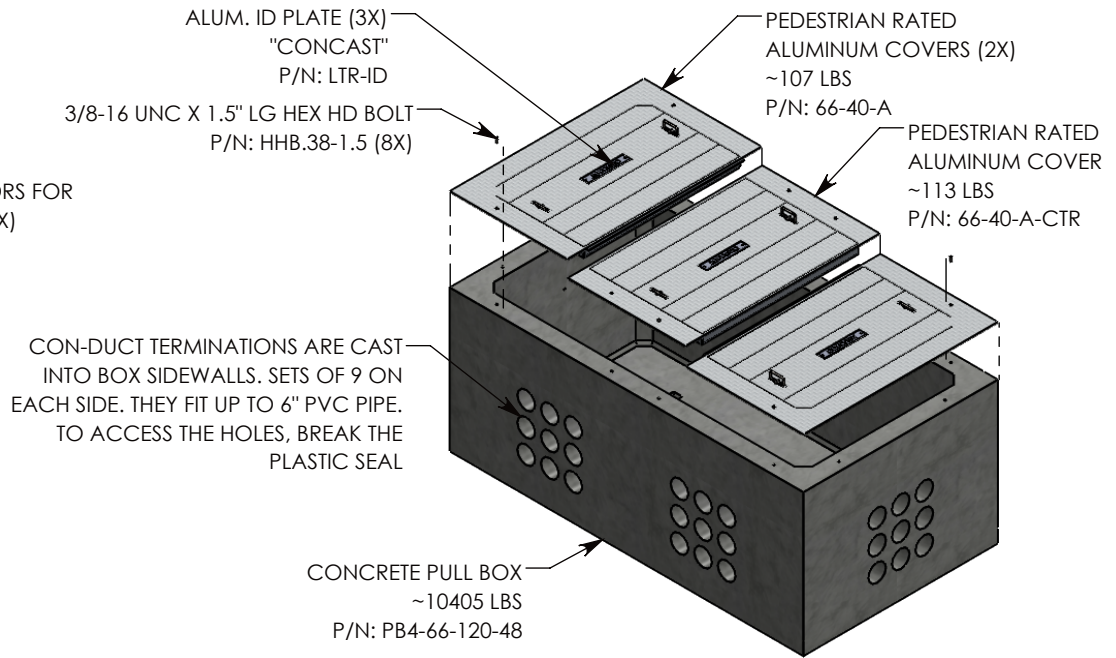
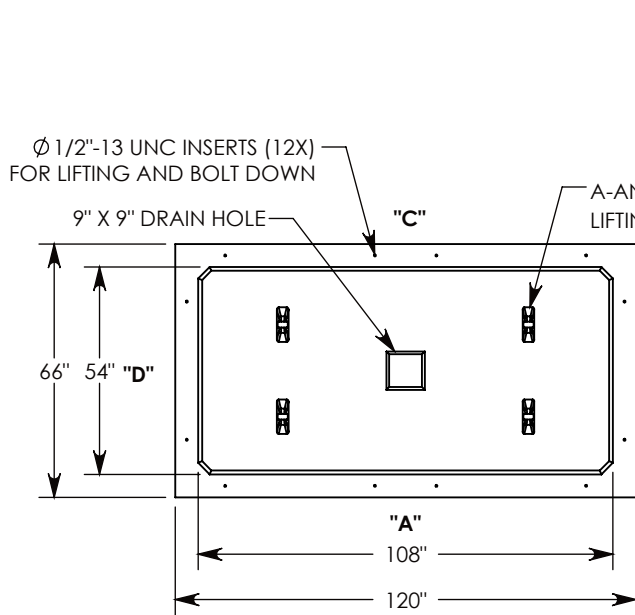


REV. A - SIC - 6/5/2019 - FIXED COVER PART NUMBERS AND WEIGHTS

REV. B - SIC - 3/23/2020 - UPDATED ANNOTATIONS; UPDATED 66-40-A WEIGHT TO 107 LBS, WAS 118 LBS; UPDATED 66-40-A-CTR WEIGHT TO 113 LBS, WAS 125 LBS



NOTE 1: FOR ADDED SECURITY, PENTA HEAD BOLTS (P/N: PTA.5-1.5) CAN BE ADDED

PEDESTRIAN RATED - 200 LB. PER SQ. FOOT

DRAWN BY: SAMUEL CALLAHAN	
CREATED DATE: 5/20/2019	REVISION LEVEL: B
SAVED DATE: 3/23/2020	SAVED BY: scallahan
WEIGHT: 10733 LBS.	MATERIAL: NOTED



1010 NORTH STAR DRIVE
P.O. BOX 69
ZUMBROTA, MN 55992-0069

DESCRIPTION:		
PULL BOX W/ ALUMINUM COVERS		
DIMENSIONS ARE IN INCHES	CONTACT INFORMATION:	
TOLERANCES:	EMAIL: INFO@CONCASTINC.COM	
FRACTIONAL: ± 1/8"	PHONE: (507) 732-4095	
ANGULAR: ± 2°	FAX: (507) 732-4094	
PART NUMBER:		SHEET 1 OF 1
PB96-66-120-48-A		