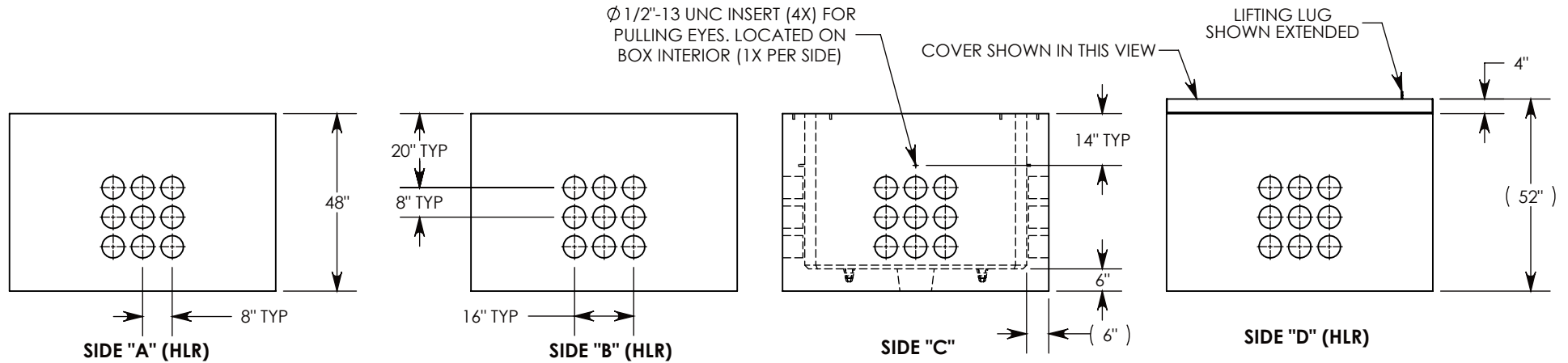
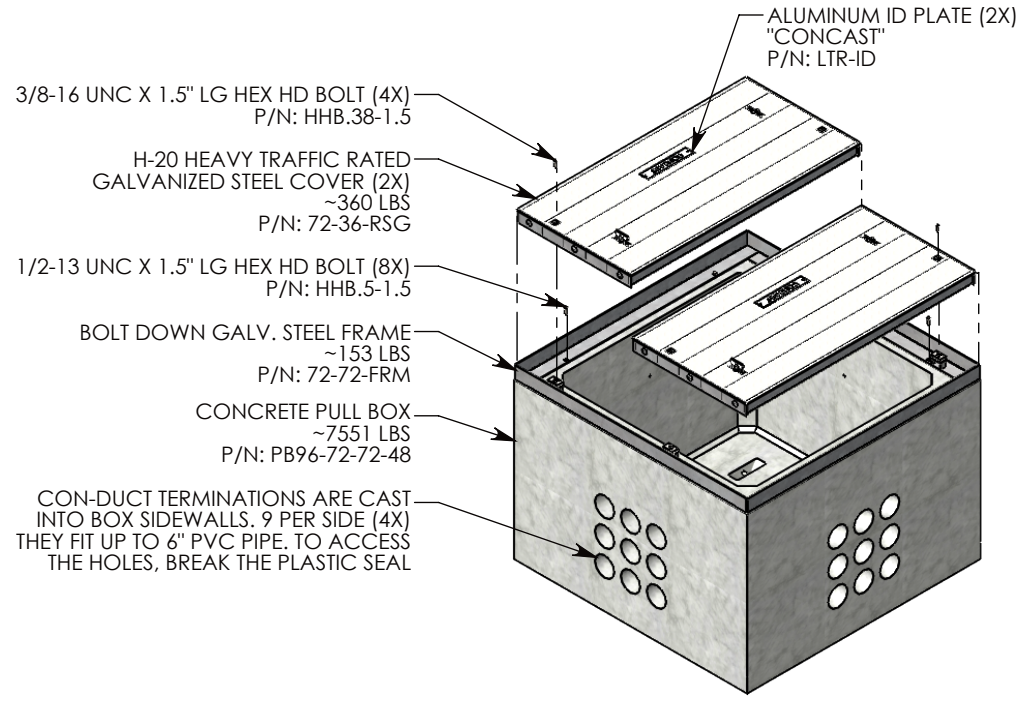
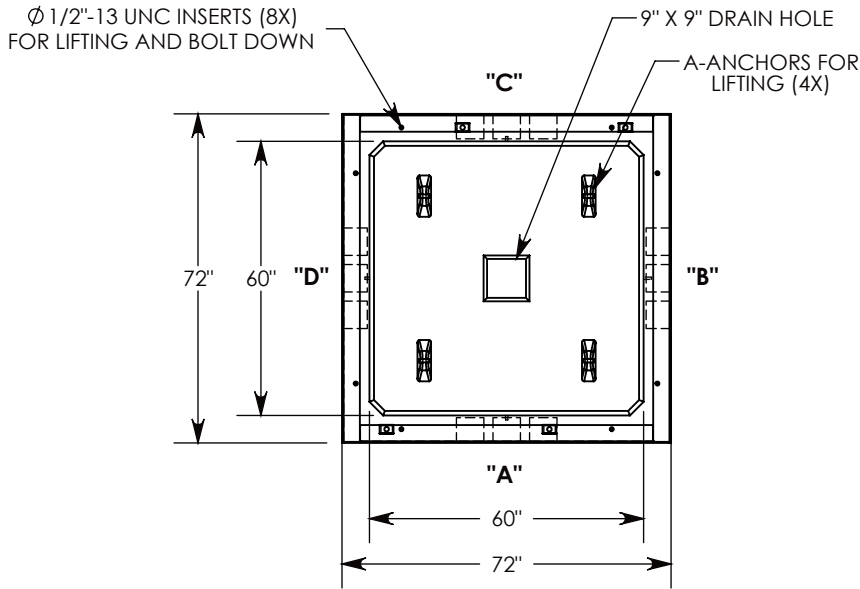


REV B - MKM - 8/16/18 - UPDATED HARDWARE FOR BOLT DOWN  
 REV C - SIC - 6/7/2019 - UPDATED SURELOCK NOTE



NOTE 1: FOR ADDED SECURITY, PENTA HEAD (P/N: PTA.38-1.5) OR SURELOCK BOLTS (P/N: SL.38-1.25) CAN BE ADDED

DRAWN BY: <b>ROBIN FLINT</b>	
DATE: <b>6/7/2019</b>	REVISION LEVEL: <b>C</b>
WEIGHT:	MATERIAL:
<b>8425 LBS. W/COVERS</b>	<b>NOTED</b>

1010 NORTH STAR DRIVE  
 P.O. BOX 69  
 ZUMBROTA, MN 55992-0069

<b>DESCRIPTION:</b>		
<b>PULL BOX W/GALV. STEEL COVERS</b>		
DIMENSIONS ARE IN INCHES	CONTACT INFORMATION:	SHEET 1 OF 1
TOLERANCES:	EMAIL: <a href="mailto:INFO@CONCASTINC.COM">INFO@CONCASTINC.COM</a>	
FRACTIONAL: ± 1/8"	PHONE: (507) 732-4095	
ANGULAR: ± 2°	FAX: (507) 732-4094	
<b>PART NUMBER:</b>		
<b>PB96-72-72-48-RSG</b>		