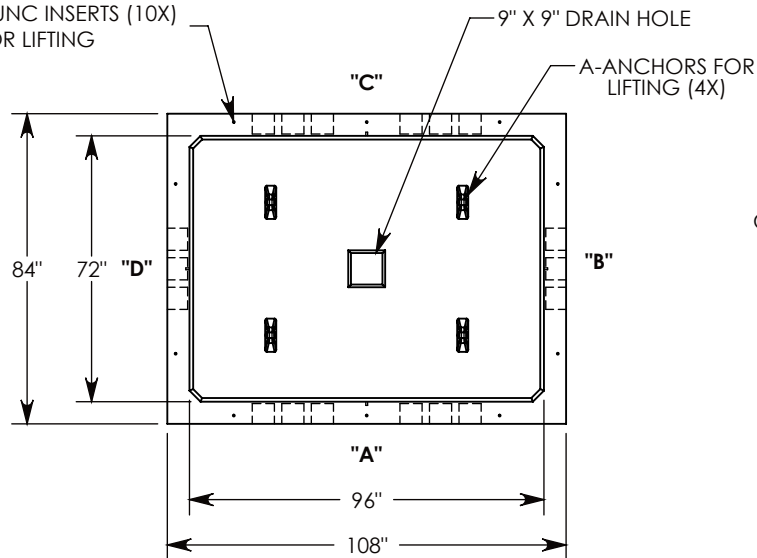
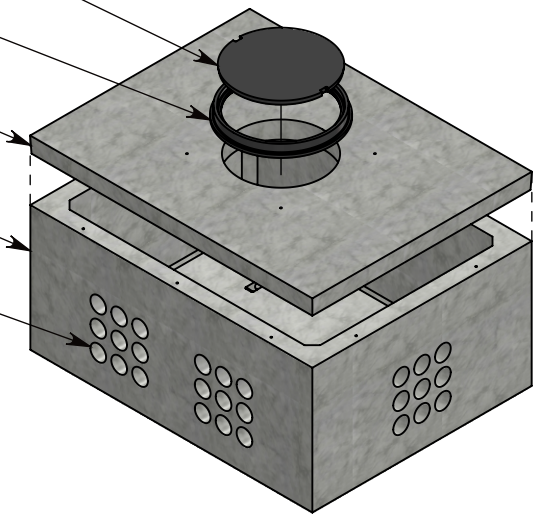


Ø 1/2"-13 UNC INSERTS (10X)  
FOR LIFTING

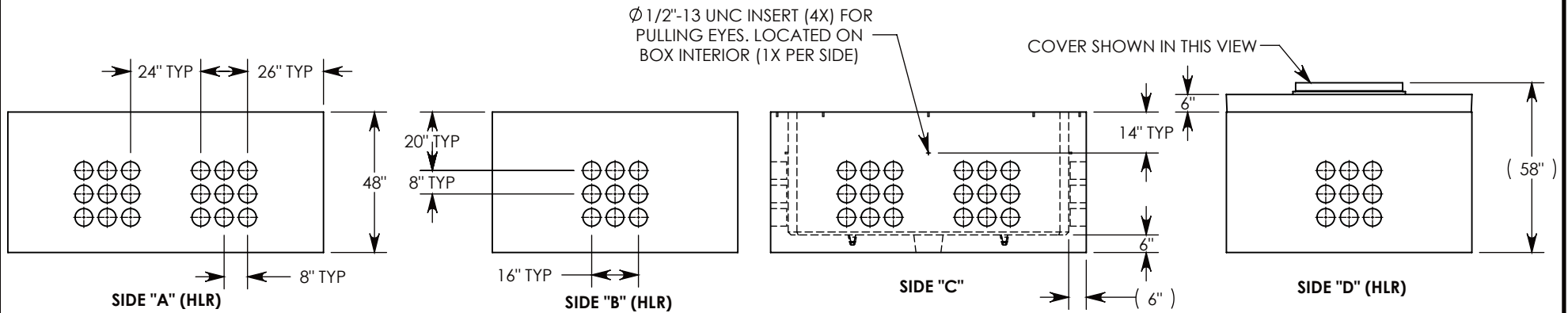


- CAST IRON MANHOLE LID  
~353 LBS  
P/N: CI-38-32-CVR
- 34 INCH CAST IRON FRAME  
~178 LBS  
P/N: CI-38-32-FRM
- H-20 HEAVY TRAFFIC RATED  
CONCRETE MANHOLE COVER  
~4518 LBS  
P/N: 84-108-MH



- CONCRETE PULL BOX  
~11219 LBS  
P/N: PB96-84-108-48

CON-DUCT TERMINATIONS ARE CAST INTO  
BOX SIDEWALLS. SETS OF 9 ON EACH SIDE.  
THEY FIT UP TO 6" PVC PIPE. TO ACCESS  
THE HOLES, BREAK THE PLASTIC SEAL



AASHTO H-20 RATED – 32,000 LB. SINGLE AXLE LOAD

**DRAWN BY:** MALACHI MLINAR

**DATE:** 4/3/2019

**REVISION LEVEL:** A

**WEIGHT:**

16268 LBS.

**MATERIAL:**

NOTED

1010 NORTH STAR DRIVE  
P.O. BOX 69  
ZUMBROTA, MN 55992-0069

**DESCRIPTION:**

**PULL BOX W/ ALUMINUM COVER**

DIMENSIONS ARE IN INCHES  
TOLERANCES:  
FRACTIONAL: ± 1/8"  
ANGULAR: ± 2°

CONTACT INFORMATION:  
EMAIL: INFO@CONCASTINC.COM  
PHONE: (507) 732-4095  
FAX: (507) 732-4094

SHEET 1 OF 1

**PART NUMBER:**

**PB96-84-108-48-MH**