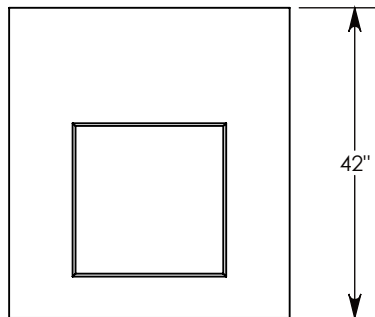
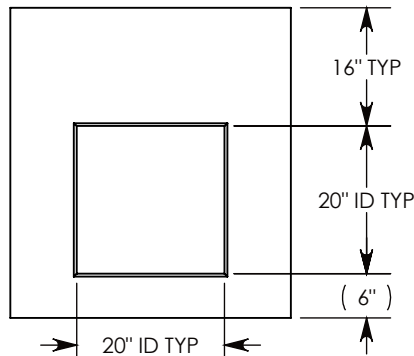


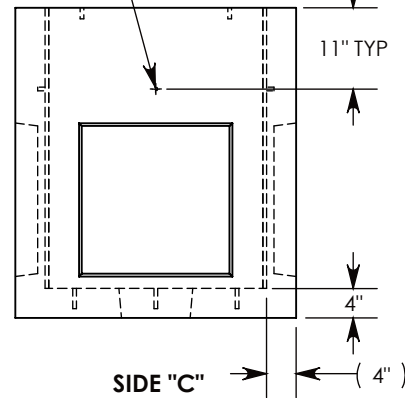
ϕ 1/2"-13 UNC INSERT (4X) FOR PULLING EYES. LOCATED ON BOX INTERIOR (1X PER SIDE)



SIDE "A" (HLR)

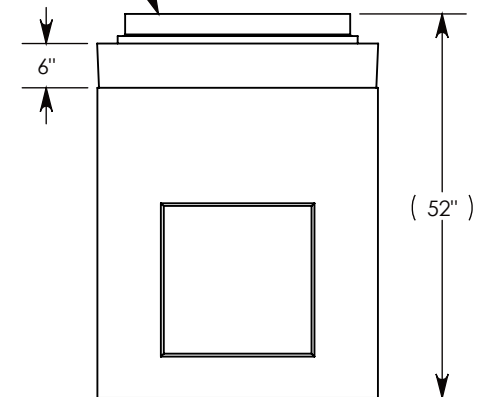


SIDE "B" (HLR)



SIDE "C"

COVER SHOWN IN THIS VIEW



SIDE "D" (HLR)

AASHTO H-20 RATED - 32,000 LB. SINGLE AXLE LOAD

DRAWN BY: ROBIN FLINT

DATE: 5/15/2018

REVISION LEVEL: B

WEIGHT:

MATERIAL:

2568 LBS. W/COVER

NOTED



DESCRIPTION:

CONCRETE PULL BOX W/MANHOLE

DIMENSIONS ARE IN INCHES
 TOLERANCES:
 FRACTIONAL: \pm 1/8"
 ANGULAR: \pm 2°

CONTACT INFORMATION:
 EMAIL: INFO@CONCASTINC.COM
 PHONE: (507) 732-4095
 FAX: (507) 732-4094

SHEET 1 OF 1

PART NUMBER:

PBK01-38-38-42-MH