

3/8"-16 UNC X 2-1/2" LG SURELOCK SS BOLT
P/N: SL.38-2.5

ACCESS COVER PLATE
P/N: AC-VC2

H-20 HEAVY TRAFFIC RATED
GALVANIZED STEEL COVER
~195 LBS
P/N: 38-38-RSGSLP

1/2"-13 UNC X 1.5" LG HEX HD BOLT (4X)
P/N: HHB.5-1.5

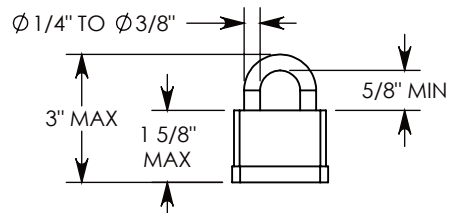
BOLT-DOWN GALV. STEEL FRAME
~70 LBS
P/N: 38-38-FRMSLP

CONCRETE PULL BOX
~1727 LBS
P/N: PBK01-38-38-42

3" DEEP KNOCKOUTS
CAST INTO ALL 4 SIDES

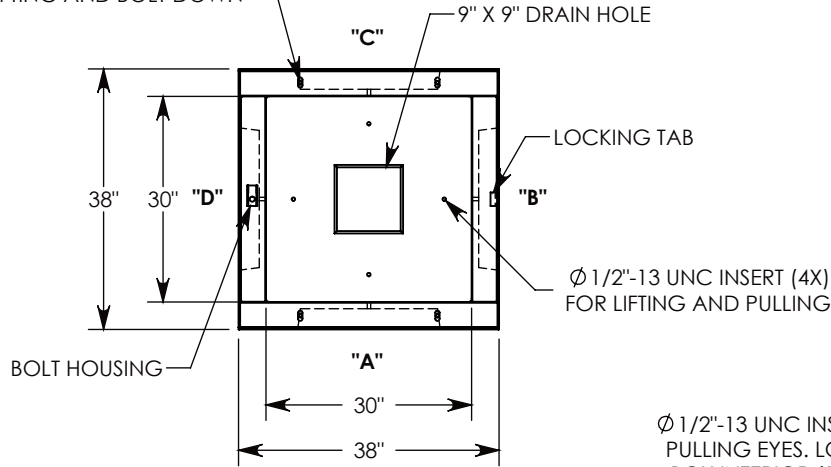
LIFTING LUG
SHOWN EXTENDED

COVER SHOWN IN THIS VIEW

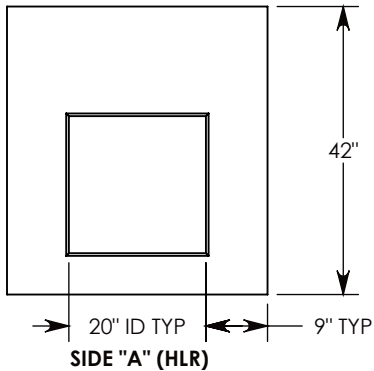


PADLOCK SPECS

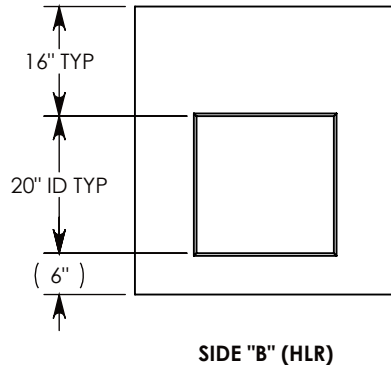
Ø 1/2"-13 UNC INSERT (4X)
FOR LIFTING AND BOLT DOWN



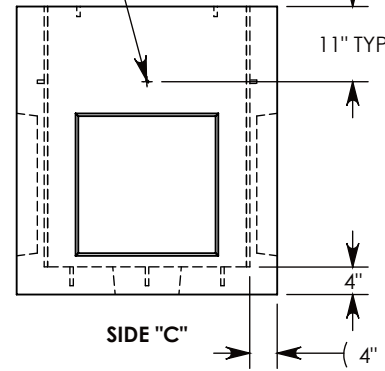
Ø 1/2"-13 UNC INSERT (4X) FOR
PULLING EYES. LOCATED ON
BOX INTERIOR (1X PER SIDE)



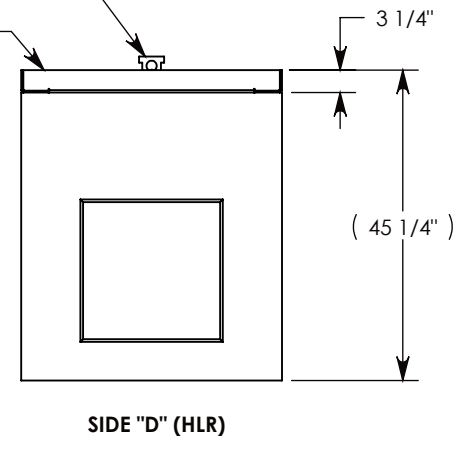
SIDE "A" (HLR)



SIDE "B" (HLR)



SIDE "C"



SIDE "D" (HLR)

AASHTO H-20 RATED - 32,000 LB. SINGLE AXLE LOAD

DRAWN BY: MALACHI MLINAR

DATE: 7/31/2019

REVISION LEVEL: B

WEIGHT:

1992 LBS.

MATERIAL:

NOTED



1010 NORTH STAR DRIVE
P.O. BOX 69
ZUMBROTA, MN 55992-0069

DESCRIPTION:

CONCRETE PULL BOX W/RSG COVER

DIMENSIONS ARE IN INCHES
TOLERANCES:
FRACTIONAL: ± 1/8"
ANGULAR: ± 2°

CONTACT INFORMATION:
EMAIL: INFO@CONCASTINC.COM
PHONE: (507) 732-4095
FAX: (507) 732-4094

SHEET 1 OF 1

PART NUMBER:

PBK01-38-38-42-RSGSLP