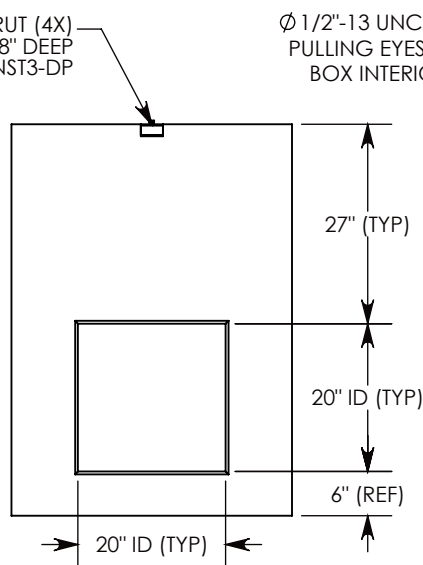
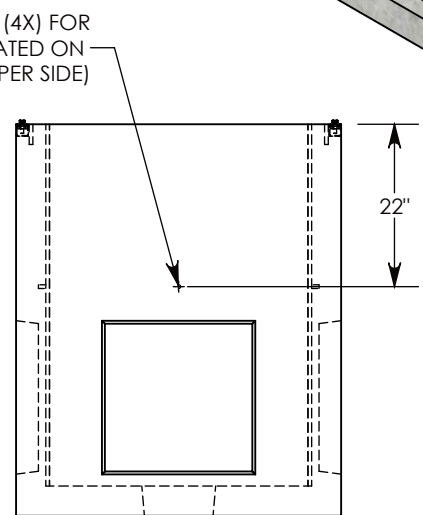


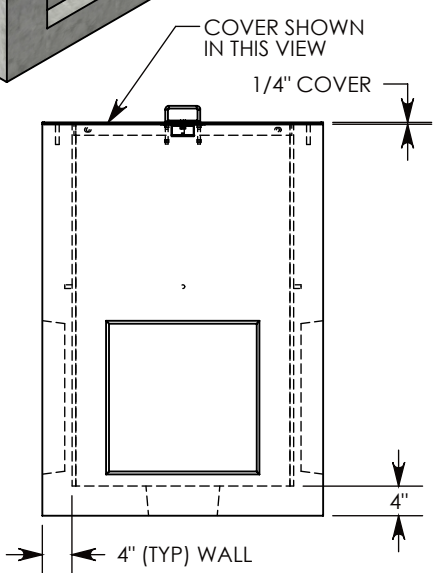
SIDE "A"



SIDE "B" (HLR)



SIDE "C"



SIDE "D"

NOTE 1: FOR ADDED SECURITY, REPLACE PENTAHEAD BOLTS WITH SURELOCK BOLTS & ORDER UNIT UNDER P/N: PBK01-38-44-53-ABDSL

PEDESTRIAN RATED - 200 LB. PER SQ. FOOT

DRAWN BY: ROBIN FLINT	
DATE: 12/29/2015	REVISION LEVEL: 0
WEIGHT:	MATERIAL:
2532 LBS. W/COVER	NOTED

1010 NORTH STAR DRIVE
P.O. BOX 69
ZUMBROTA, MN 55992-0069

DESCRIPTION:		
PULL BOX W/BOLT-DOWN AL. COVER		
DIMENSIONS ARE IN INCHES	CONTACT INFORMATION:	
TOLERANCES:	EMAIL: INFO@CONCASTINC.COM	SHEET 1 OF 1
FRACTIONAL: ± 1/8"	PHONE: (507) 732-4095	
ANGULAR: ± 2°	FAX: (507) 732-4094	
PART NUMBER:		
PBK01-38-44-53-ABD		