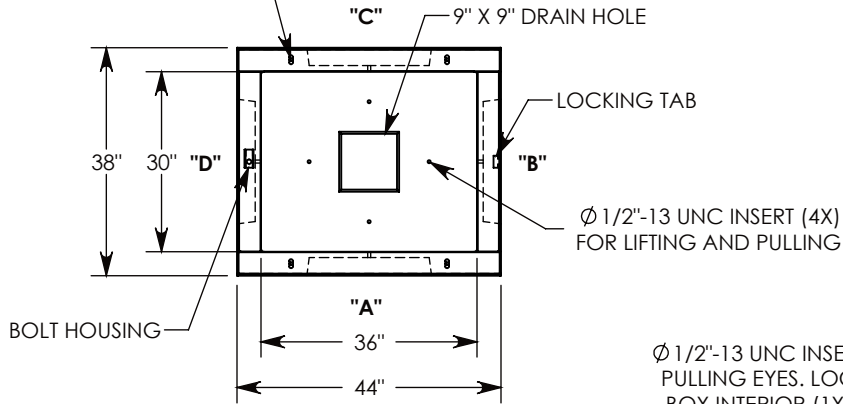
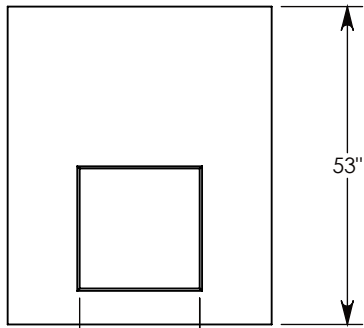


**PADLOCK SPECS**

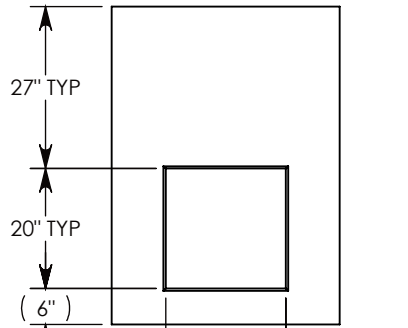
Ø 1/2"-13 UNC INSERT (4X)  
FOR LIFTING AND BOLT DOWN



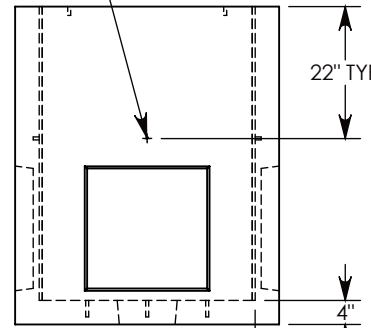
Ø 1/2"-13 UNC INSERT (4X) FOR  
PULLING EYES. LOCATED ON  
BOX INTERIOR (1X PER SIDE)



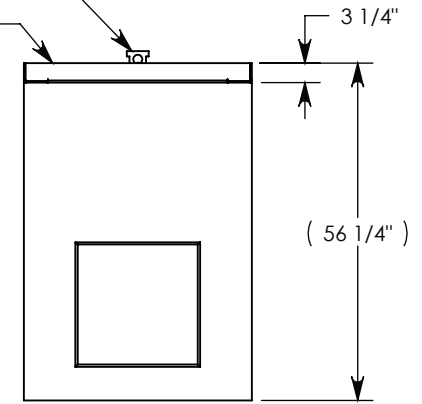
**SIDE "A" (HLR)**



**SIDE "B" (HLR)**



**SIDE "C"**



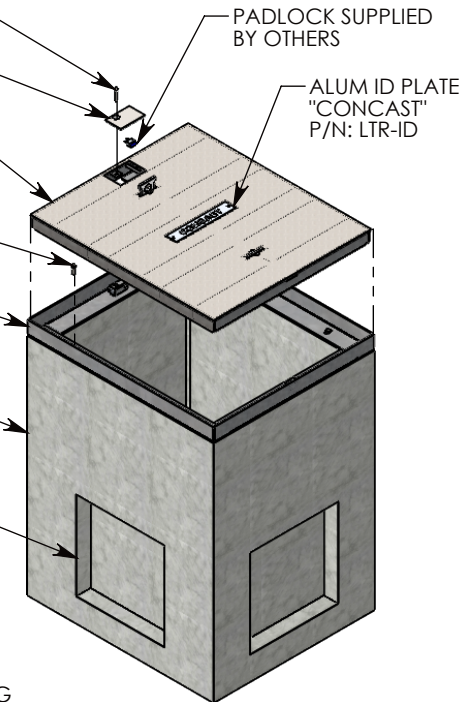
**SIDE "D" (HLR)**

AASHTO H-20 RATED - 32,000 LB. SINGLE AXLE LOAD

- 3/8"-16 UNC X 2-1/2" LG SURELOCK SS BOLT  
P/N: SL.38-2.5
- ACCESS COVER PLATE  
P/N: AC-VC2
- H-20 HEAVY TRAFFIC RATED  
GALVANIZED STEEL COVER  
~214 LBS  
P/N: 38-44-RSGSLP
- 1/2"-13 UNC X 1.5" LG HEX HD BOLT (4X)  
P/N: HHB.5-1.5
- BOLT-DOWN GALV. STEEL FRAME  
~75 LBS  
P/N: 38-44-FRMSLP

CONCRETE PULL BOX  
~2485 LBS  
P/N: PBK01-38-44-53

3" DEEP KNOCKOUTS  
CAST INTO ALL 4 SIDES



LIFTING LUG  
SHOWN EXTENDED  
COVER SHOWN IN THIS VIEW

<b>DRAWN BY: MALACHI MLINAR</b>	
<b>DATE: 7/31/2019</b>	<b>REVISION LEVEL: B</b>
<b>WEIGHT: 2775 LBS.</b>	<b>MATERIAL: NOTED</b>



1010 NORTH STAR DRIVE  
P.O. BOX 69  
ZUMBROTA, MN 55992-0069

<b>DESCRIPTION:</b> <b>CONCRETE PULL BOX W/RSG COVER</b>		
DIMENSIONS ARE IN INCHES TOLERANCES: FRACTIONAL: ± 1/8" ANGULAR: ± 2°	CONTACT INFORMATION: EMAIL: INFO@CONCASTINC.COM PHONE: (507) 732-4095 FAX: (507) 732-4094	SHEET 1 OF 1
<b>PART NUMBER:</b> <b>PBK01-38-44-53-RSGSLP</b>		