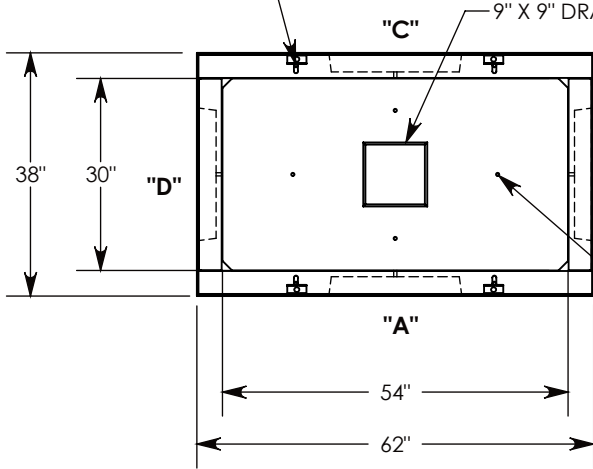


Ø 1/2"-13 UNC INSERTS (4X)  
FOR LIFTING AND BOLT DOWN



Ø 1/2"-13 UNC INSERTS (4X)  
FOR LIFTING AND PULLING

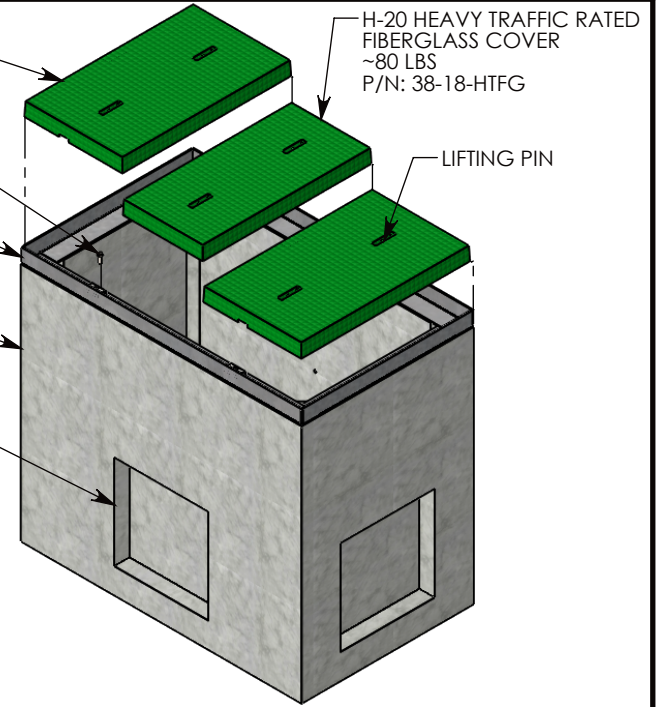
H-20 HEAVY TRAFFIC RATED  
FIBERGLASS COVER (2X)  
~99 LBS  
P/N: 38-22-HTFG

1/2-13 UNC X 1.5" LG HEX HD BOLT  
P/N: HHB.5-1.5 (4X)

BOLT DOWN GALV. STEEL FRAME  
~93 LBS  
P/N: 38-62-FRM

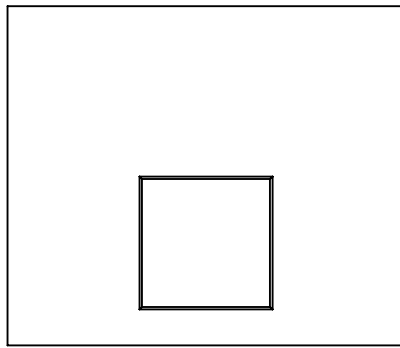
CONCRETE PULL BOX  
~3304 LBS  
P/N: PBK01-38-62-53

3" DEEP KNOCKOUTS  
CAST INTO ALL 4 SIDES

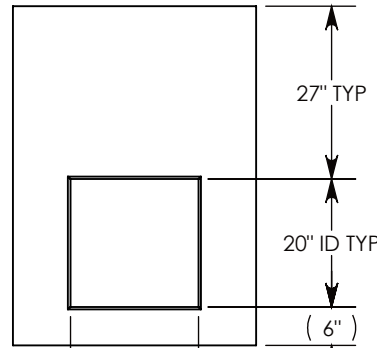


Ø 1/2"-13 UNC INSERT (4X) FOR  
PULLING EYES. LOCATED ON  
BOX INTERIOR (1X PER SIDE)

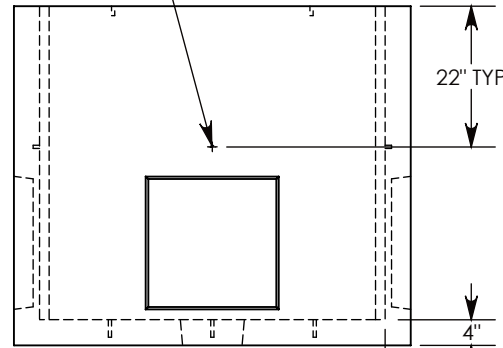
COVER SHOWN IN THIS VIEW



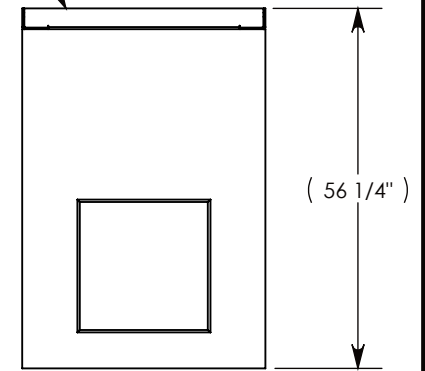
SIDE "A" (HLR)



SIDE "B" (HLR)



SIDE "C"



SIDE "D" (HLR)

**DRAWN BY: ROBIN FLINT**

**DATE: 7/3/2018**

**WEIGHT:**

**3474 LBS. W/COVER**

**REVISION LEVEL: B**

**MATERIAL:**

**NOTED**



**DESCRIPTION:**

**PULL BOX W/FIBERGLASS COVERS**

DIMENSIONS ARE IN INCHES  
TOLERANCES:  
FRACTIONAL: ± 1/8"  
ANGULAR: ± 2°

CONTACT INFORMATION:  
EMAIL: INFO@CONCASTINC.COM  
PHONE: (507) 732-4095  
FAX: (507) 732-4094

SHEET 1 OF 1

**PART NUMBER:**

**PBK01-38-62-53-HTFG**