

3/8"-16 UNC X 1-1/4" LG SURELOCK SS BOLT (2X)
P/N: SL-38-1.25

H-20 HEAVY TRAFFIC RATED GALV. STEEL COVER
~ 174 LBS
P/N: 38-31-RSGSLP (2X)

PADLOCK SUPPLIED BY OTHERS

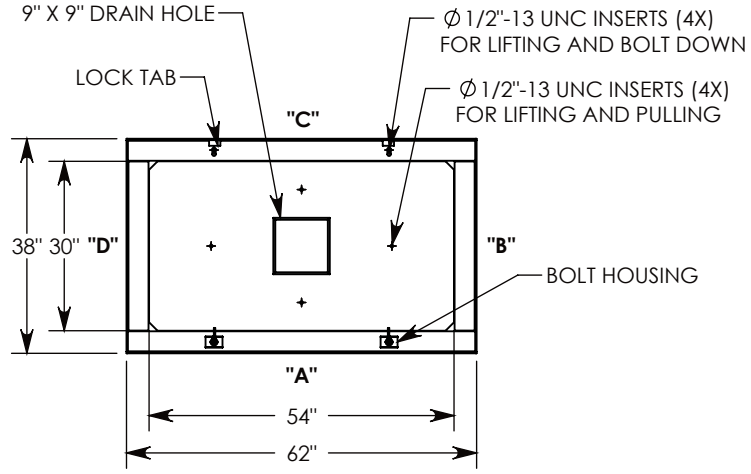
1/2-13 UNC X 1.5" LG HEX HD BOLT (4X)
P/N: HHB.5-1.5

ALUM ID PLATE "CONCAST"
P/N: LTR-ID

BOLT DOWN GALV. STEEL FRAME
~93 LBS.
P/N: 38-62-FRMSLP

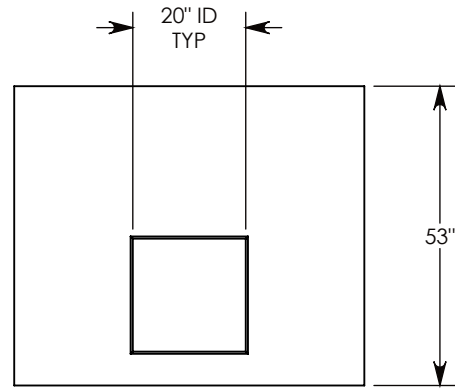
CONCRETE PULL BOX
~3304 LBS
P/N: PBK01-38-62-53

3" DEEP KNOCKOUTS
CAST INTO ALL 4 SIDES

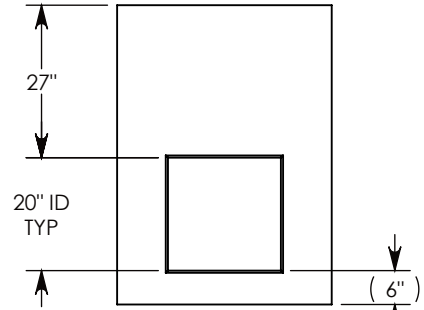


Ø 1/2"-13 UNC INSERT (4X) FOR PULLING EYES. LOCATED ON BOX INTERIOR (1X PER SIDE)

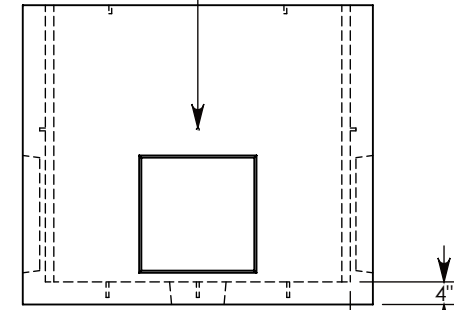
LIFTING LUG SHOWN EXTENDED
COVER SHOWN IN THIS VIEW



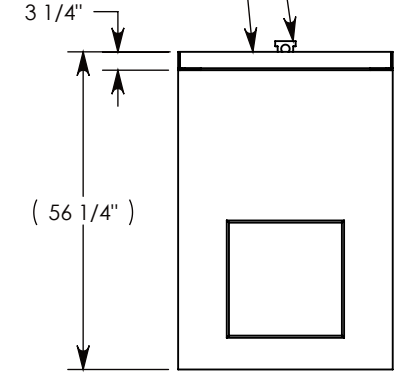
SIDE "A" (HLR)



SIDE "B" (HLR)



SIDE "C"



SIDE "D" (HLR)

AASHTO H-20 RATED – 32,000 LB. SINGLE AXLE LOAD

| | |
|--------------------------------|---------------------------|
| DRAWN BY: JESSE GUTTING | |
| CREATED DATE: 8/19/2020 | REVISION LEVEL: 0 |
| SAVED DATE: 8/20/2020 | SAVED BY: jgutting |
| WEIGHT: 3746 LBS. | MATERIAL: NOTED |



1010 NORTH STAR DRIVE
P.O. BOX 69
ZUMBROTA, MN 55992-0069

| | |
|--|---|
| DESCRIPTION: CONCRETE PULL BOX W/RSGSLP COVERS | |
| DIMENSIONS ARE IN INCHES TOLERANCES: FRACTIONAL: ± 1/8" ANGULAR: ± 2° | CONTACT INFORMATION: EMAIL: INFO@CONCASTINC.COM PHONE: (507) 732-4095 FAX: (507) 732-4094 |
| PART NUMBER: PBK01-38-62-53-RSGSLP | |
| SHEET 1 OF 1 | |