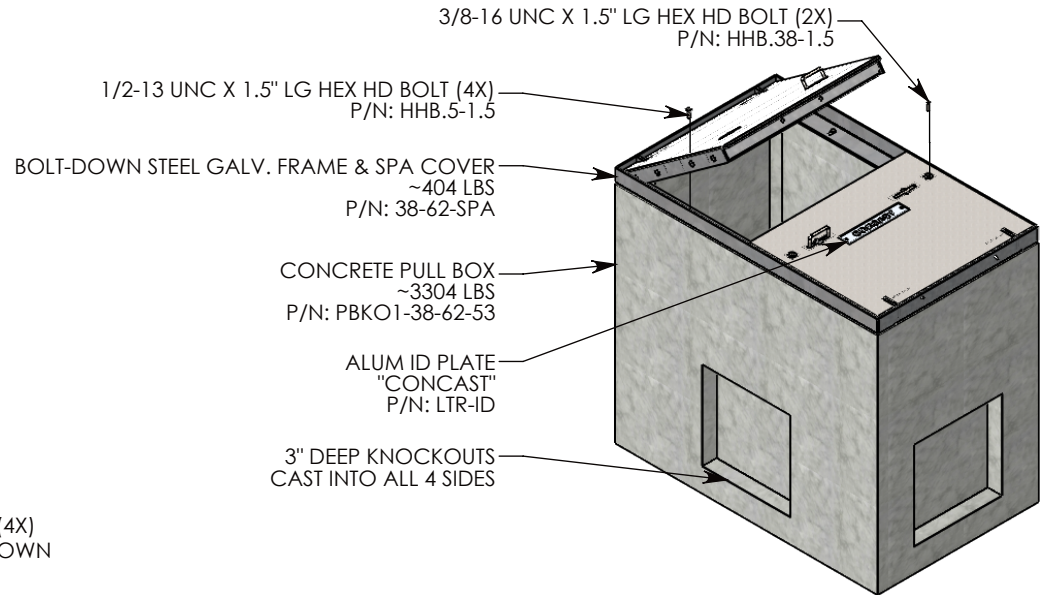
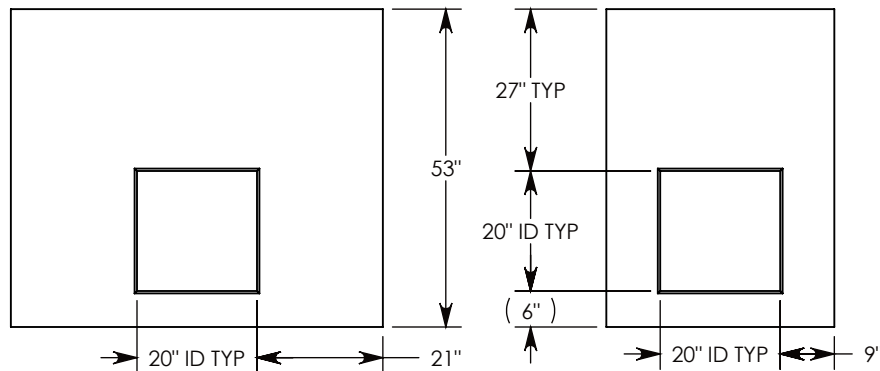


"A"
 "B" 30" 38"
 9" X 9" DRAIN HOLE
 Ø 1/2"-13 UNC INSERTS (4X)
 FOR LIFTING AND BOLT DOWN
 Ø 1/2"-13 UNC INSERTS (4X)
 FOR LIFTING AND PULLING

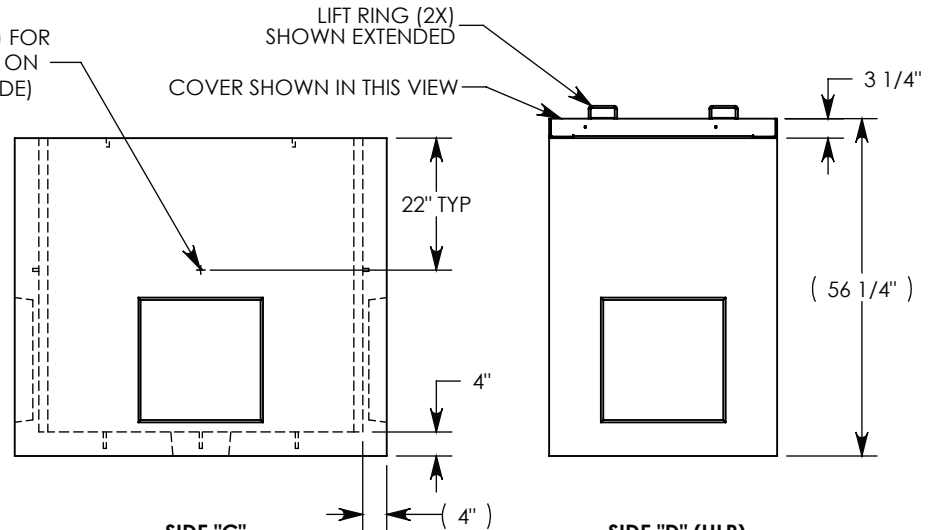


Ø 1/2"-13 UNC INSERT (4X) FOR
 PULLING EYES. LOCATED ON
 BOX INTERIOR (1X PER SIDE)



SIDE "A" (HLR)

SIDE "B" (HLR)



SIDE "C"

SIDE "D" (HLR)

NOTE 1: FOR ADDED SECURITY, PENTA HEAD (P/N: PTA.38-1.5) OR SURELOCK BOLTS (P/N: SL.38-1.25) CAN BE ADDED

AASHTO H-20 RATED - 32,000 LB. SINGLE AXLE LOAD

DRAWN BY: SAMUEL CALLAHAN	
DATE: 5/29/2019	REVISION LEVEL: 0
WEIGHT: 3708 LBS.	MATERIAL: NOTED

1010 NORTH STAR DRIVE
 P.O. BOX 69
 ZUMBROTA, MN 55992-0069

DESCRIPTION: CONCRETE PULL BOX W/SPA COVER		SHEET 1 OF 1
DIMENSIONS ARE IN INCHES TOLERANCES: FRACTIONAL: ± 1/8" ANGULAR: ± 2°	CONTACT INFORMATION: EMAIL: INFO@CONCASTINC.COM PHONE: (507) 732-4095 FAX: (507) 732-4094	
PART NUMBER: PBK01-38-62-53-SPA		