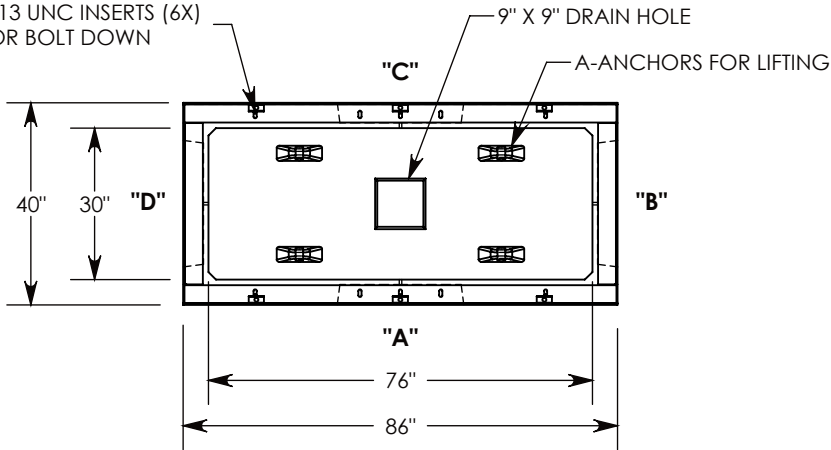


Ø 1/2"-13 UNC INSERTS (6X)  
FOR BOLT DOWN



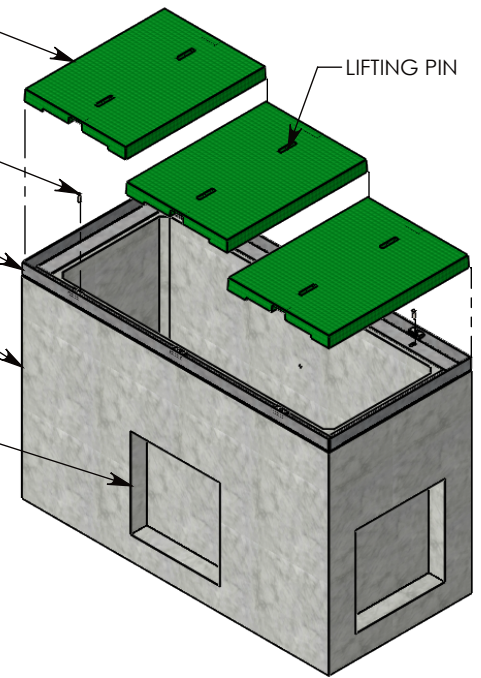
H20 HEAVY TRAFFIC RATED  
FIBERGLASS COVERS (3X)  
~85 LBS  
P/N: 40-28.7-HTFG

1/2-13 UNC X 1.5\"/>

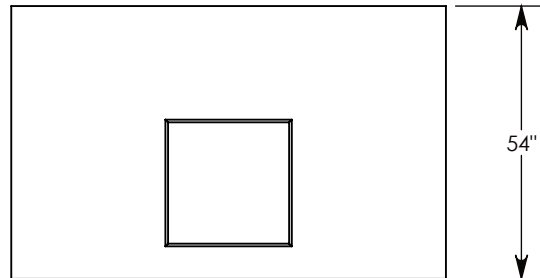
BOLT DOWN GALV. STEEL FRAME  
~119 LBS  
P/N: 40-86-FRM

CONCRETE PULL BOX  
~5242 LBS  
P/N: PBK01-40-86-54

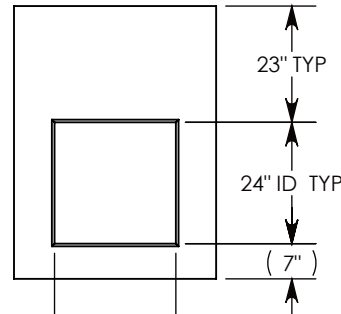
4\"/>



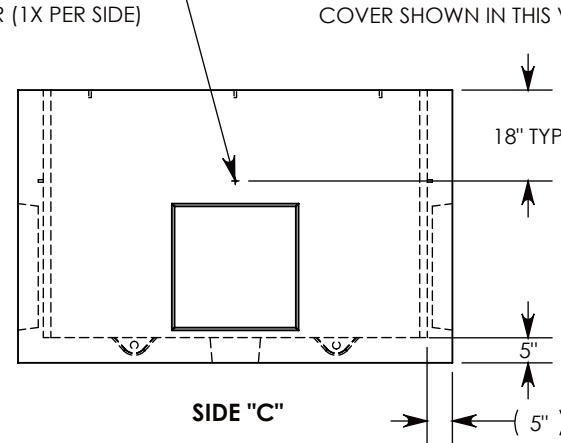
Ø 1/2"-13 UNC INSERT (4X) FOR  
PULLING EYES. LOCATED ON  
BOX INTERIOR (1X PER SIDE)



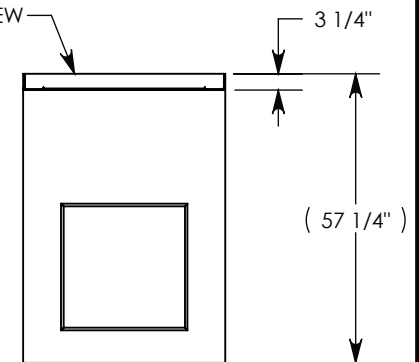
SIDE "A" (HLR)



SIDE "B" (HLR)



SIDE "C"



SIDE "D" (HLR)

AASHTO H-20 RATED – 32,000 LB. SINGLE AXLE LOAD

**DRAWN BY: MALACHI MLINAR**

**DATE: 7/24/2018**

**REVISION LEVEL: A**

**WEIGHT:**

**MATERIAL:**

**5395 LBS. W/COVERS**

**NOTED**



1010 NORTH STAR DRIVE  
P.O. BOX 69  
ZUMBROTA, MN 55992-0069

**DESCRIPTION:**

**PULL BOX W/ FIBERGLASS COVERS**

DIMENSIONS ARE IN INCHES  
TOLERANCES:  
FRACTIONAL: ± 1/8"  
ANGULAR: ± 2°

CONTACT INFORMATION:  
EMAIL: INFO@CONCASTINC.COM  
PHONE: (507) 732-4095  
FAX: (507) 732-4094

SHEET 1 OF 1

**PART NUMBER:**

**PBK01-40-86-54-HTFG**