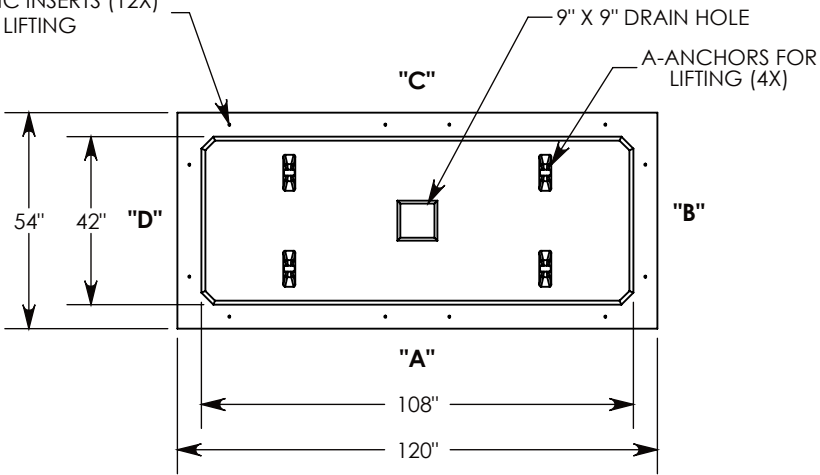
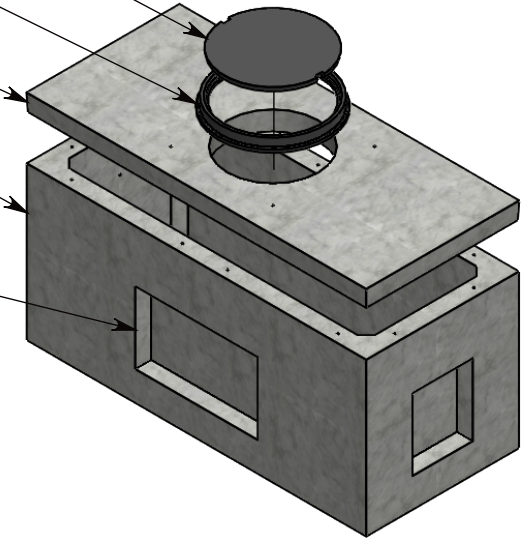


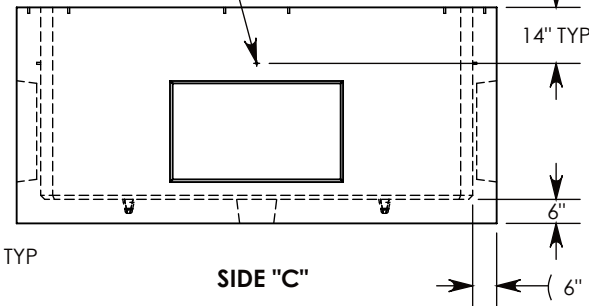
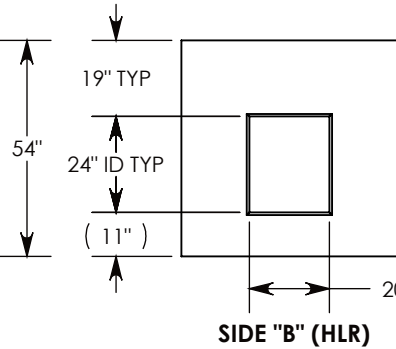
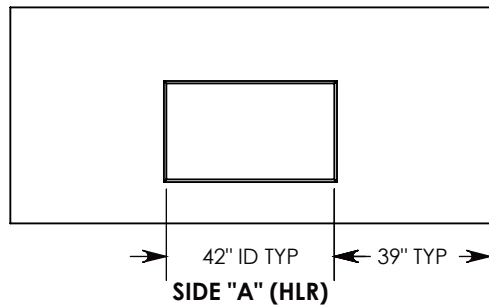
Ø 1/2"-13 UNC INSERTS (12X)
FOR LIFTING



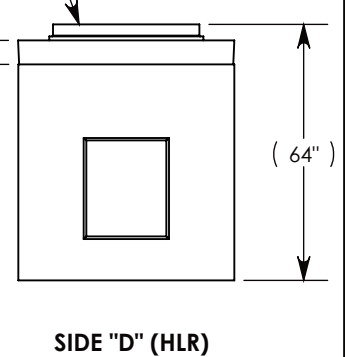
- CAST IRON MANHOLE LID
~353 LBS
P/N: CI-38-32-CVR
- 34 INCH CAST IRON FRAME
~178 LBS
P/N: CI-38-32-FRM
- H-20 HEAVY TRAFFIC RATED
CONCRETE MANHOLE COVER
~3052 LBS
P/N: 54-120-MH
- CONCRETE PULL BOX
~9575 LBS
P/N: PBK01-54-120-54
- 5" DEEP KNOCKOUTS
CAST INTO ALL 4 SIDES



Ø 1/2"-13 UNC INSERT (4X) FOR
PULLING EYES, LOCATED ON
BOX INTERIOR (1X PER SIDE)



COVER SHOWN IN THIS VIEW



AASHTO H-20 RATED – 32,000 LB. SINGLE AXLE LOAD

DRAWN BY: MALACHI MLINAR

DATE: 8/8/2018

REVISION LEVEL: A

WEIGHT:

MATERIAL:

13158 LBS. W/COVER

NOTED



DESCRIPTION:

PULL BOX W/MANHOLE COVER

DIMENSIONS ARE IN INCHES

TOLERANCES:
FRACTIONAL: ± 1/8"
ANGULAR: ± 2°

CONTACT INFORMATION:

EMAIL: INFO@CONCASTINC.COM
PHONE: (507) 732-4095
FAX: (507) 732-4094

SHEET 1 OF 1

PART NUMBER:

PBK01-54-120-54-MH