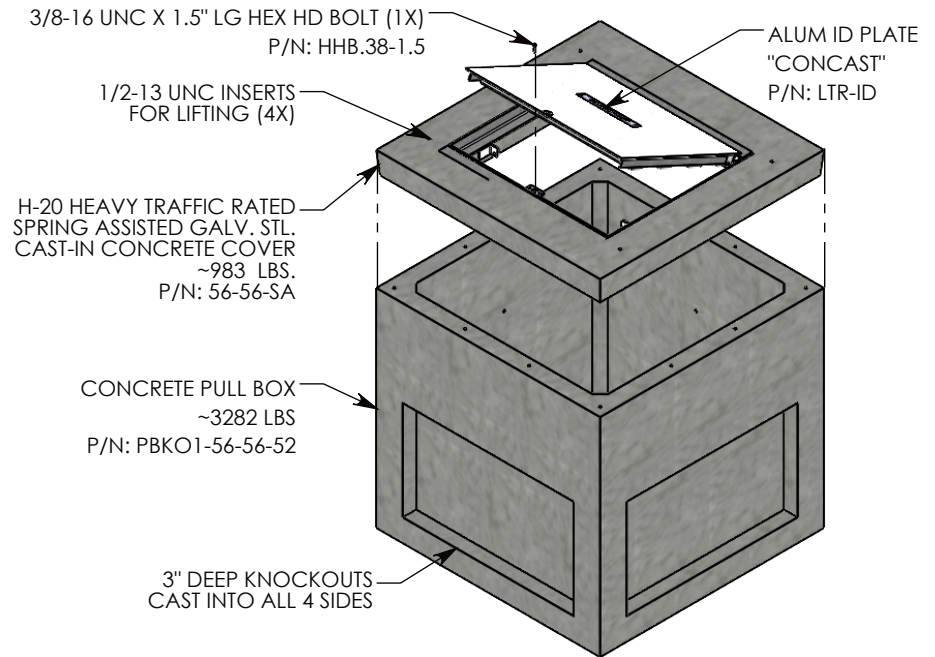
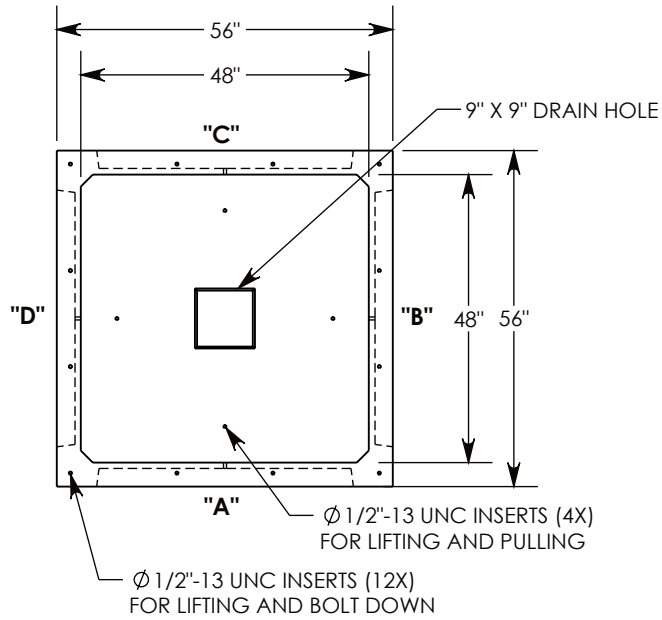
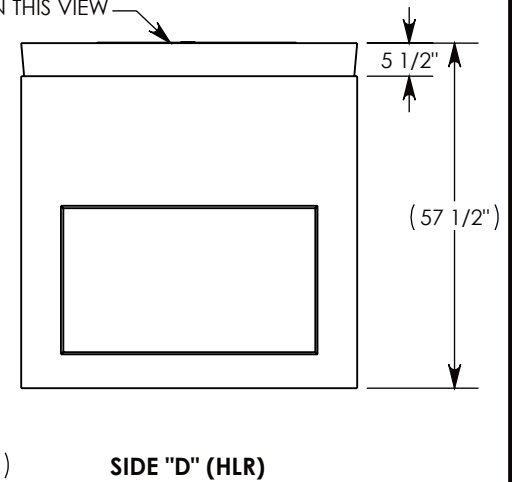
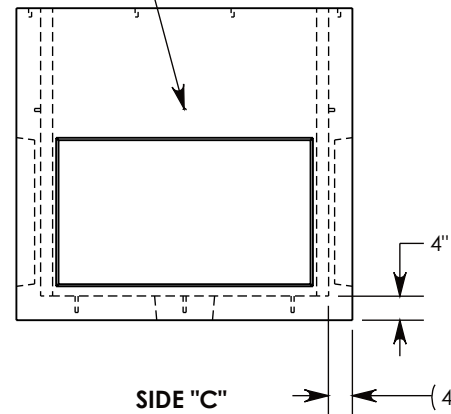
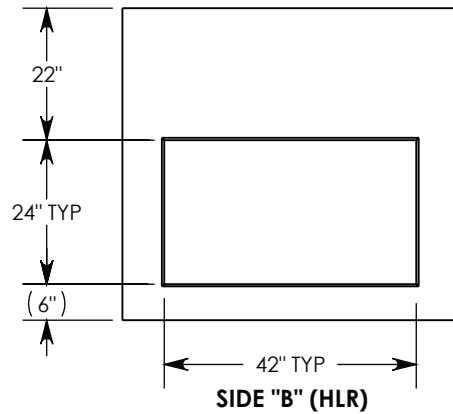
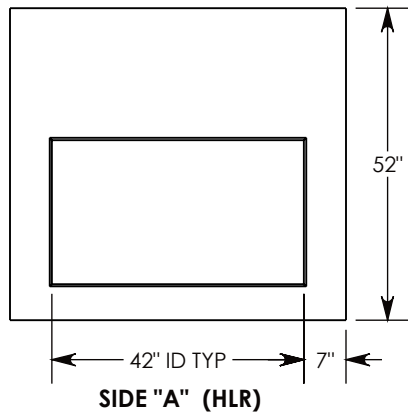


REV. A - SIC - 10/11/2019 - UPDATED NOTES, VIEWS, AND DIMENSIONS; 1/2"-13 UNC BOLT DOWN INSERTS, QTY: 12 WAS QTY: 4

REV. B - SIC - 10/10/2023 - 56-56-SA COVER DESIGN UPDATED; 56-56-SA COVER WEIGHT CHANGED TO 983 LBS, WAS 1,111 LBS; OVERALL HEIGHT CHANGED TO 57 1/2", WAS 58"; OVERALL ASSEMBLY WEIGHT CHANGED TO 4,266 LBS, WAS 4,393 LBS; ADDED BOLT CALLOUT AND OPEN COVER VIEW



Ø 1/2"-13 UNC INSERT (4X) FOR PULLING EYES. LOCATED ON BOX INTERIOR (1X PER SIDE)



AASHTO H-20 RATED - 32,000 LB. SINGLE AXLE LOAD

DRAWN BY: ROBIN FLINT

CREATED DATE: 3/26/2010 REVISION LEVEL: B

SAVED DATE: 10/10/2023 SAVED BY: scallahan

WEIGHT: 4266 LBS. MATERIAL: NOTED

**CONCAST**  
1010 NORTH STAR DRIVE  
P.O. BOX 69  
ZUMBROTA, MN 55992-0069

DESCRIPTION:  
**PULL BOX W/SPRING-ASSIST COVER**

DIMENSIONS ARE IN INCHES  
TOLERANCES:  
FRACTIONAL: ± 1/8"  
ANGULAR: ± 2°

CONTACT INFORMATION:  
EMAIL: INFO@CONCASTINC.COM  
PHONE: (507) 732-4095  
FAX: (507) 732-4094

SHEET 1 OF 1

PART NUMBER:  
**PBKO1-56-56-52-SA**