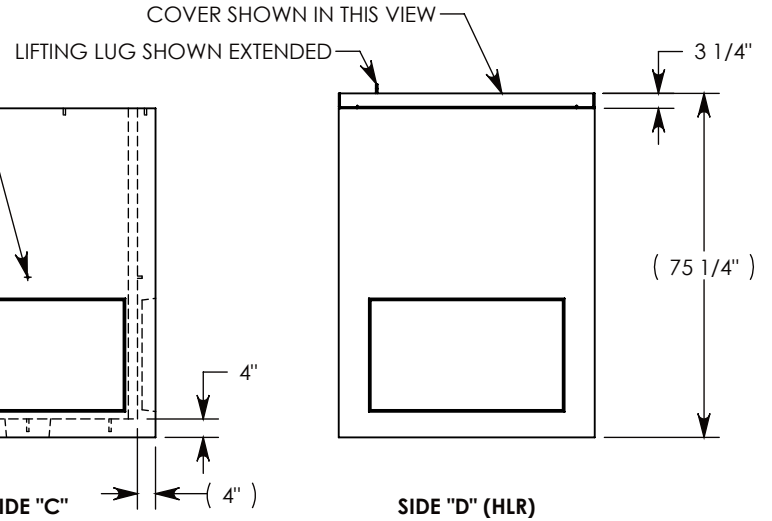


Ø 1/2"-13 UNC INSERT (4X) FOR PULLING EYES. LOCATED ON BOX INTERIOR (1X PER SIDE)



AASHTO H-20 RATED - 32,000 LB. SINGLE AXLE LOAD

DRAWN BY: MALACHI MLINAR	
CREATED DATE: 9/20/2018	REVISION LEVEL: B
SAVED DATE: 10/11/2019	SAVED BY: scallahan
WEIGHT: 5181 LBS.	MATERIAL: NOTED

1010 NORTH STAR DRIVE
 P.O. BOX 69
 ZUMBROTA, MN 55992-0069

DESCRIPTION:		
PULL BOX W/ GALV. STEEL COVER		
DIMENSIONS ARE IN INCHES	CONTACT INFORMATION:	
TOLERANCES:	EMAIL: INFO@CONCASTINC.COM	SHEET 1 OF 1
FRACTIONAL: ± 1/8"	PHONE: (507) 732-4095	
ANGULAR: ± 2°	FAX: (507) 732-4094	
PART NUMBER:		
PBK01-56-56-72-RSGSLP		