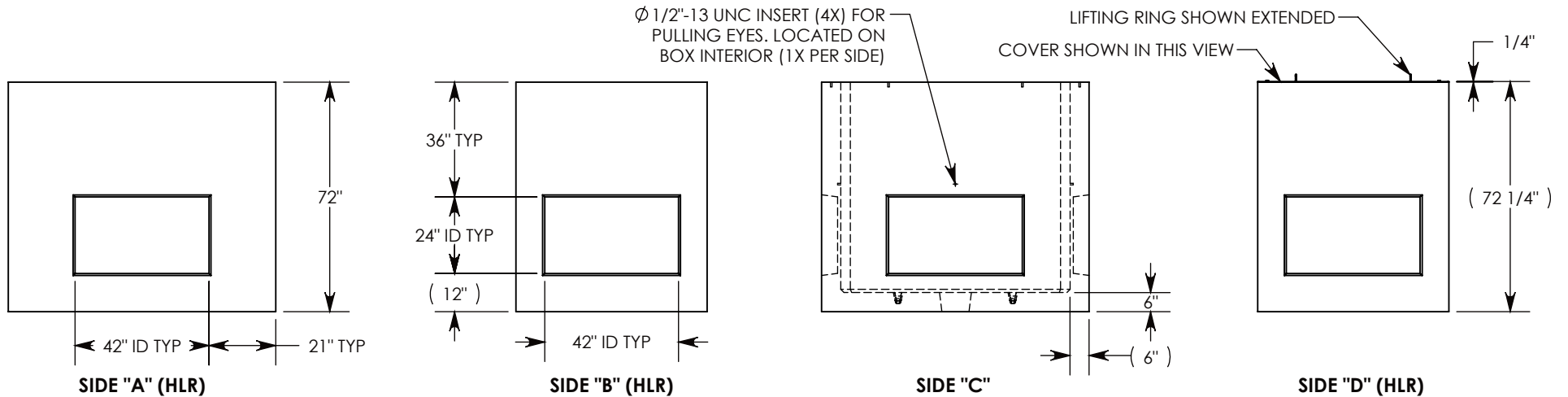
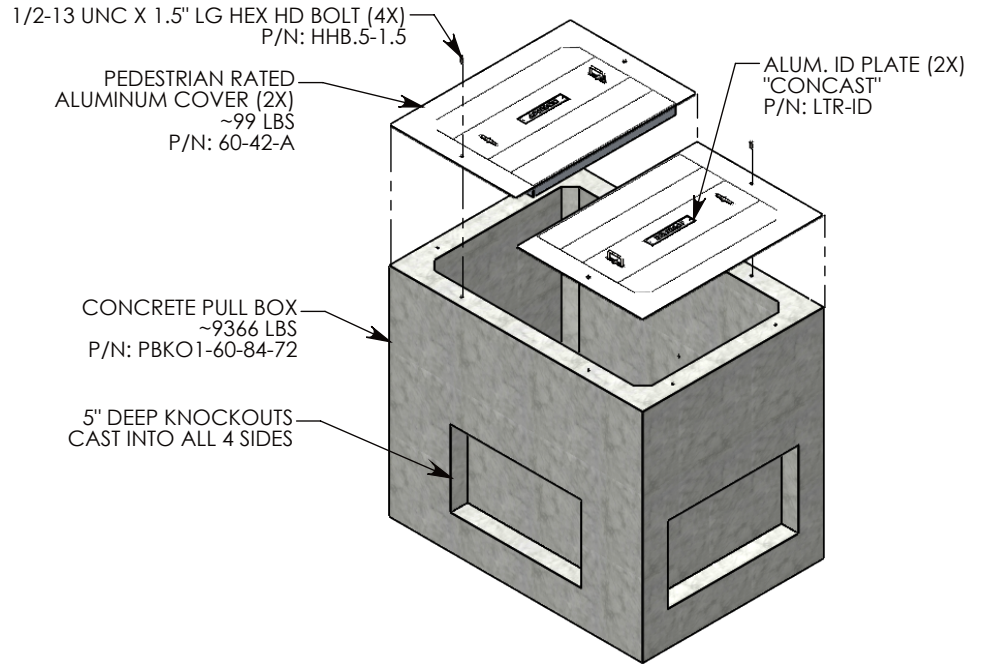
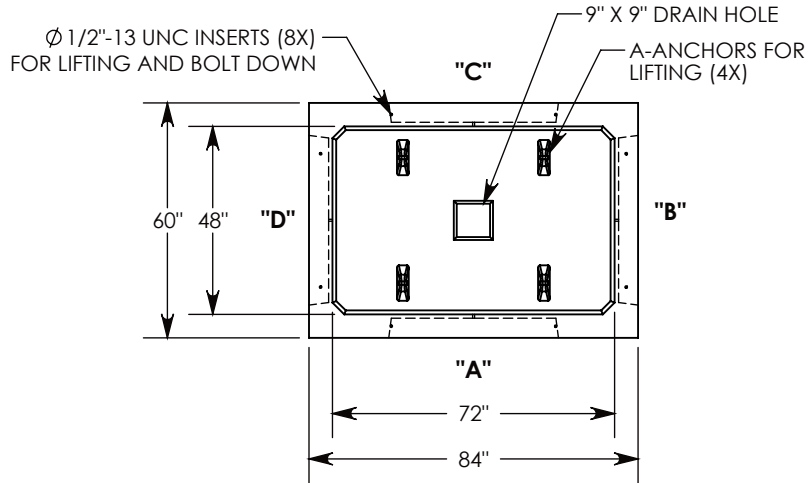


REV. B - MKM - 8/8/2018 - UPDATED HARDWARE FOR BOLT DOWN
 REV. C - SIC - 3/23/2020 - UPDATED ANNOTATIONS; UPDATED 60-42-A WEIGHT TO 99 LBS, WAS 111 LBS



NOTE 1: FOR ADDED SECURITY, PENTA HEAD BOLTS (P/N: PTA.5-1.5) CAN BE ADDED

PEDESTRIAN RATED - 200 LB. PER SQ. FOOT

DRAWN BY: ROBIN FLINT	
CREATED DATE: 6/24/2011	REVISION LEVEL: C
SAVED DATE: 3/23/2020	SAVED BY: scallahan
WEIGHT: 9565 LBS.	MATERIAL: NOTED

1010 NORTH STAR DRIVE
 P.O. BOX 69
 ZUMBROTA, MN 55992-0069

DESCRIPTION: PULL BOX W/ALUMINUM COVERS		
DIMENSIONS ARE IN INCHES TOLERANCES: FRACTIONAL: \pm 1/8" ANGULAR: \pm 2°	CONTACT INFORMATION: EMAIL: INFO@CONCASTINC.COM PHONE: (507) 732-4095 FAX: (507) 732-4094	SHEET 1 OF 1
PART NUMBER: PBK01-60-84-72-A		