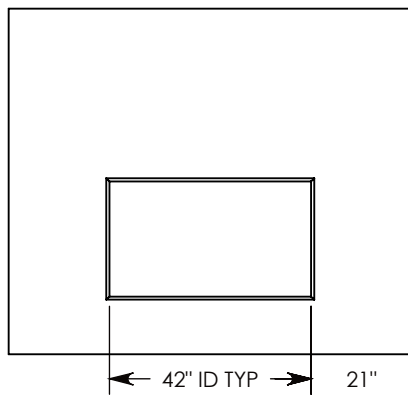
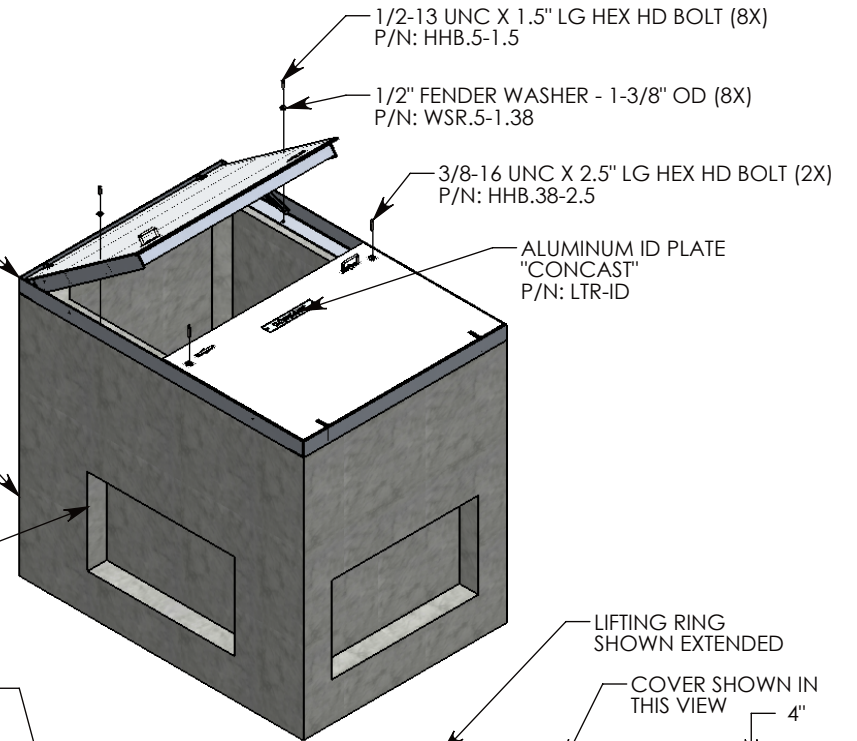


BOLT-DOWN ALUMINUM FRAME & HA COVERS  
~256 LBS  
P/N: 60-84-HA

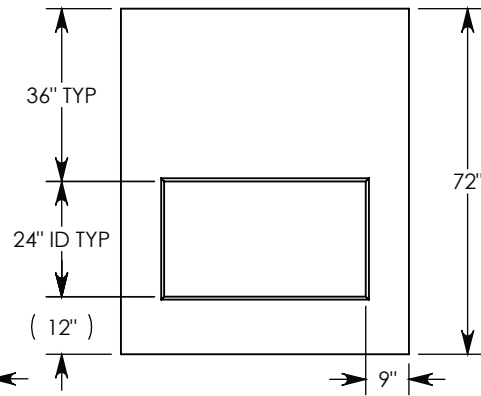
CONCRETE PULL BOX  
~9366 LBS  
P/N: PBK01-60-84-72

5" DEEP KNOCKOUTS  
CAST INTO ALL 4 SIDE

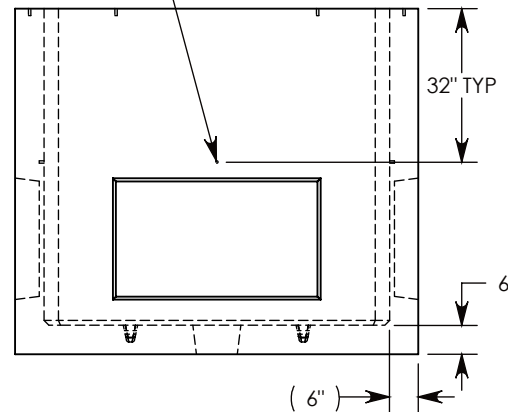
Ø 1/2"-13 UNC INSERT (4X) FOR  
PULLING EYES. LOCATED ON  
BOX INTERIOR (1X PER SIDE)



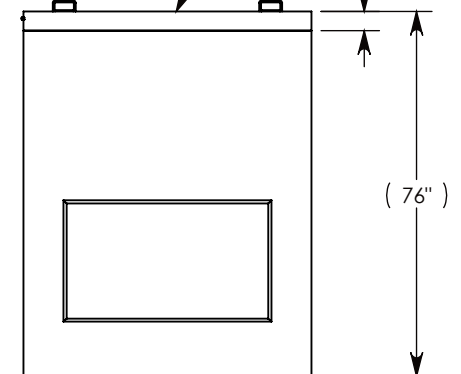
SIDE "A" (HLR)



SIDE "B" (HLR)



SIDE "C"



SIDE "D" (HLR)

NOTE 1: FOR ADDED SECURITY, PENTA HEAD (P/N: PTA.38-2.5) OR SURELOCK BOLTS (P/N: SL.38-2.5) CAN BE ADDED

PEDESTRIAN RATED - 200 LB. PER SQ. FOOT

DRAWN BY: SAMUEL CALLAHAN

DATE: 6/10/2019

REVISION LEVEL: 0

WEIGHT:

9623 LBS.

MATERIAL:

NOTED



DESCRIPTION:

PULL BOX W/ HINGED ALUMINUM COVERS

DIMENSIONS ARE IN INCHES  
TOLERANCES:  
FRACTIONAL: ± 1/8"  
ANGULAR: ± 2°

CONTACT INFORMATION:  
EMAIL: INFO@CONCASTINC.COM  
PHONE: (507) 732-4095  
FAX: (507) 732-4094

SHEET 1 OF 1

PART NUMBER:

PBK01-60-84-72-HA