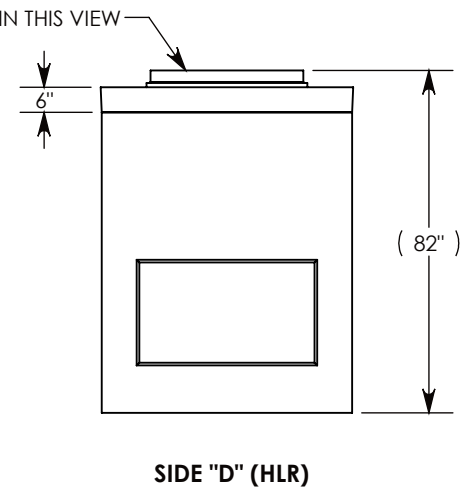
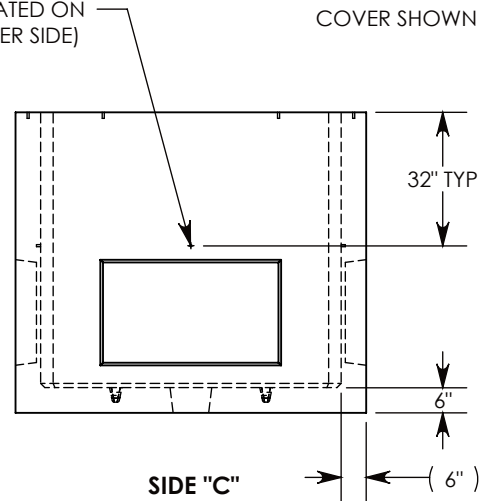
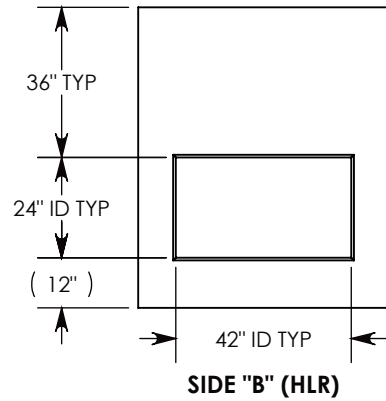
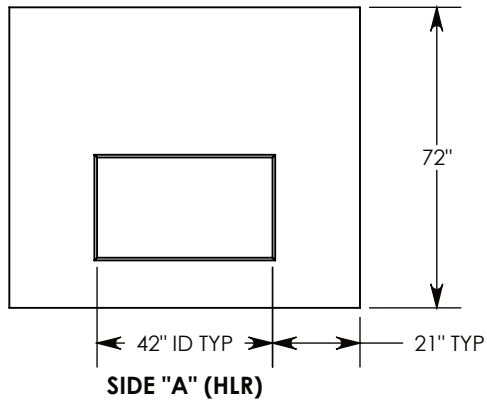


Ø 1/2"-13 UNC INSERT (4X) FOR PULLING EYES. LOCATED ON BOX INTERIOR (1X PER SIDE)



<b>DRAWN BY: ROBIN FLINT</b>	
<b>DATE: 8/13/2018</b>	<b>REVISION LEVEL: B</b>
<b>WEIGHT:</b>	<b>MATERIAL:</b>
<b>12193 LBS. W/COVER</b>	<b>NOTED</b>

**CONCAST**  
 1010 NORTH STAR DRIVE  
 P.O. BOX 69  
 ZUMBROTA, MN 55992-0069

<b>DESCRIPTION:</b>		
<b>PULL BOX W/MANHOLE COVER</b>		
DIMENSIONS ARE IN INCHES	CONTACT INFORMATION:	
TOLERANCES:	EMAIL: INFO@CONCASTINC.COM	
FRACTIONAL: ± 1/8"	PHONE: (507) 732-4095	
ANGULAR: ± 2°	FAX: (507) 732-4094	
<b>PART NUMBER:</b>		SHEET 1 OF 1
<b>PBK01-60-84-72-MH</b>		