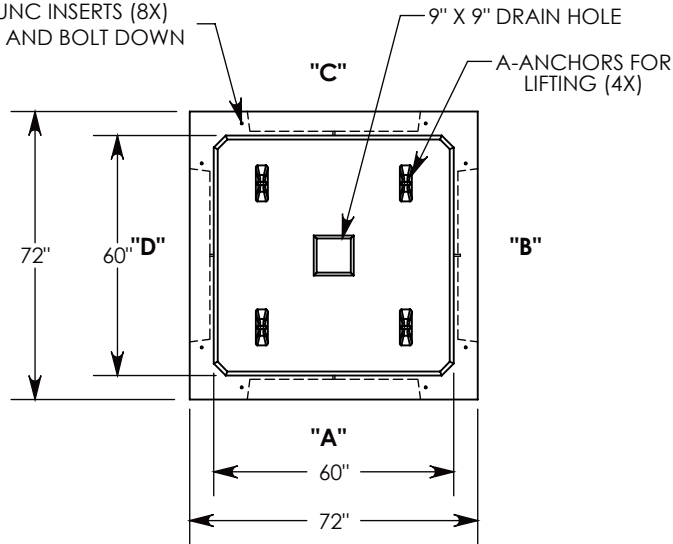


Ø 1/2"-13 UNC INSERTS (8X)
FOR LIFTING AND BOLT DOWN



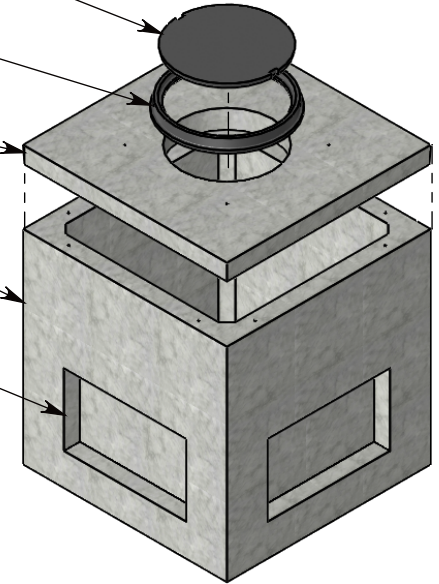
CAST IRON MANHOLE LID
~353 LBS
P/N: CI-38-32-CVR

34 INCH CAST IRON FRAME
~178 LBS
P/N: CI-38-32-FRM

H-20 HEAVY TRAFFIC RATED
CONCRETE MANHOLE COVER
~2344 LBS
P/N: 72-72-MH

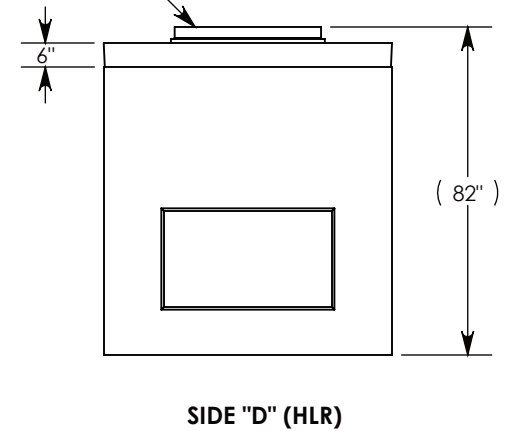
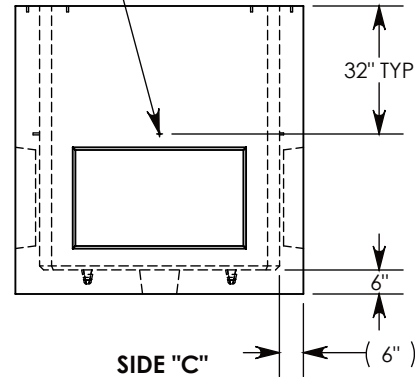
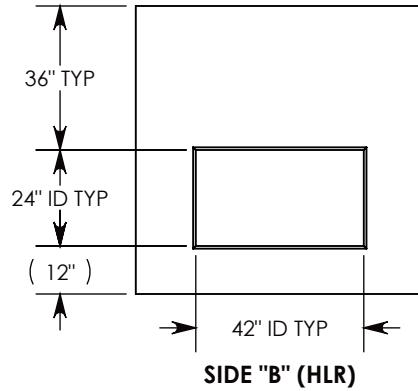
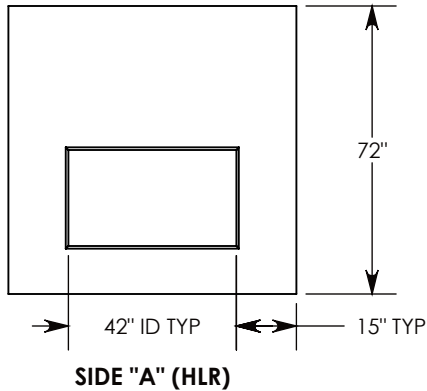
CONCRETE PULL BOX
~9437 LBS
P/N: PBK01-72-72-72

5" DEEP KNOCKOUTS
CAST INTO ALL 4 SIDES



Ø 1/2"-13 UNC INSERT (4X) FOR
PULLING EYES. LOCATED ON
BOX INTERIOR (1X PER SIDE)

COVER SHOWN IN THIS VIEW



AASHTO H-20 RATED - 32,000 LB. SINGLE AXLE LOAD

DRAWN BY: ROBIN FLINT

DATE: 8/20/2018

REVISION LEVEL: B

WEIGHT:

MATERIAL:

12311 LBS. W/COVER

NOTED



DESCRIPTION:

PULL BOX W/MANHOLE COVER

DIMENSIONS ARE IN INCHES
TOLERANCES:
FRACTIONAL: ± 1/8"
ANGULAR: ± 2°

CONTACT INFORMATION:
EMAIL: INFO@CONCASTINC.COM
PHONE: (507) 732-4095
FAX: (507) 732-4094

SHEET 1 OF 1

PART NUMBER:

PBK01-72-72-72-MH