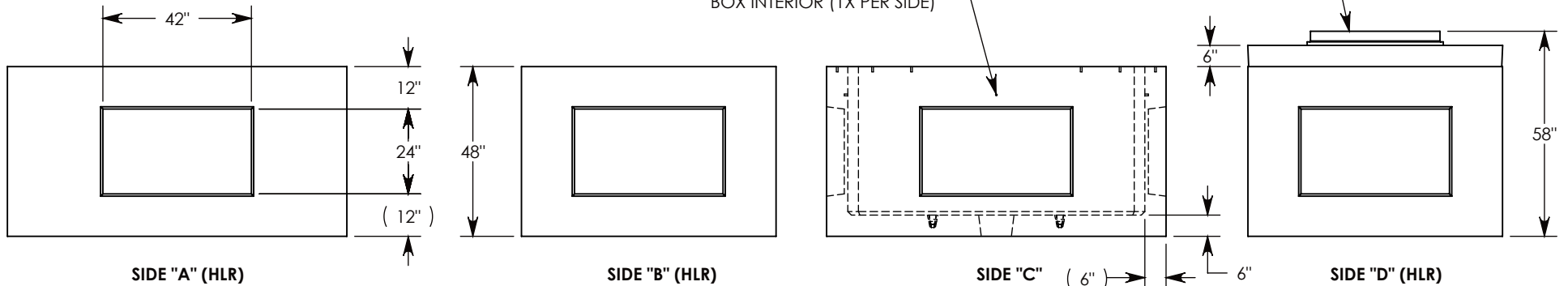


Ø 1/2"-13 UNC INSERT (4X) FOR PULLING EYES. LOCATED ON BOX INTERIOR (1X PER SIDE)



NOTE 1: STANDARD DEPTH OF 48" IS SHOWN. OTHER DEPTHS ARE AVAILABLE UPON REQUEST

AASHTO H-20 RATED – 32,000 LB. SINGLE AXLE LOAD

DRAWN BY: <b>JESSE GUTTING</b>	
CREATED DATE: <b>3/10/2020</b>	REVISION LEVEL: <b>A</b>
SAVED DATE: <b>8/2/2021</b>	SAVED BY: <b>jgutting</b>
WEIGHT: <b>11967 LBS.</b>	MATERIAL: <b>NOTED</b>

1010 NORTH STAR DRIVE  
P.O. BOX 69  
ZUMBROTA, MN 55992-0069

DESCRIPTION: <b>CONCRETE PULL BOX W/MANHOLE COVER</b>		SHEET 1 OF 1
DIMENSIONS ARE IN INCHES TOLERANCES: FRACTIONAL: ± 1/8" ANGULAR: ± 2°	CONTACT INFORMATION: EMAIL: <a href="mailto:INFO@CONCASTINC.COM">INFO@CONCASTINC.COM</a> PHONE: (507) 732-4095 FAX: (507) 732-4094	
PART NUMBER: <b>PBK01-72-96-48-MH</b>		