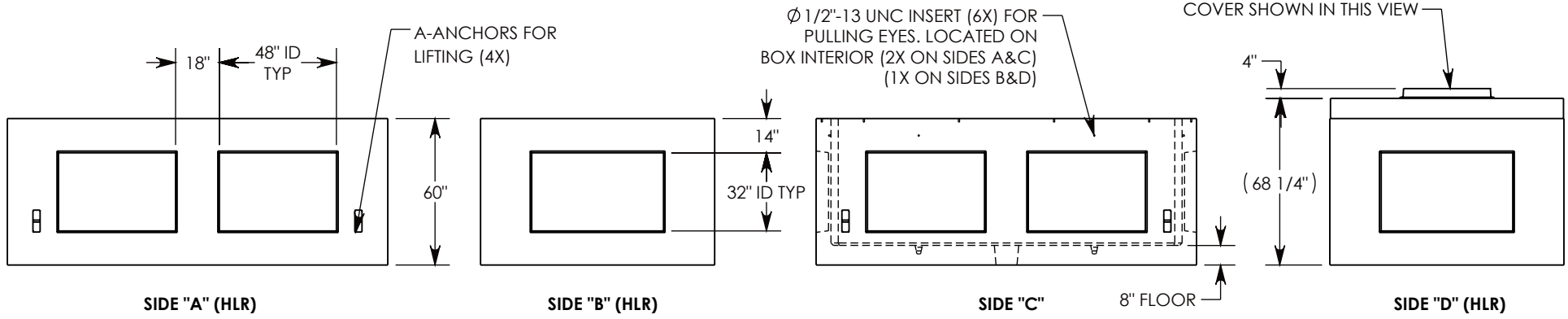
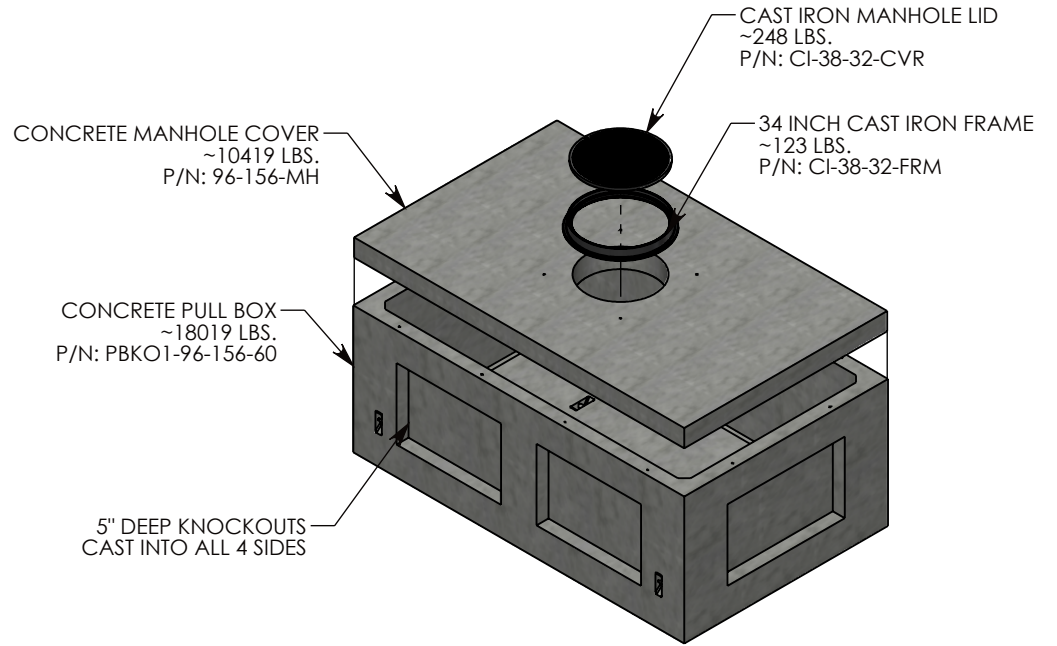
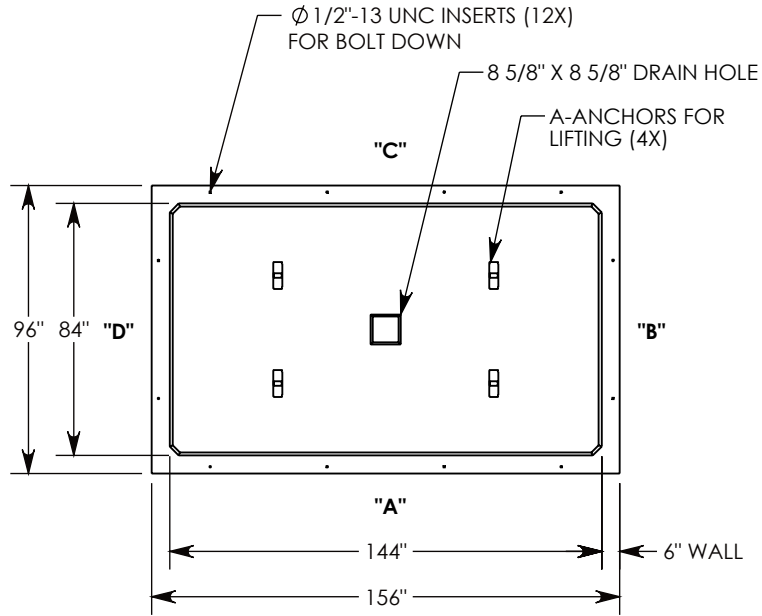


REV. A - SIC - 9/14/2023 - CHANGED DRAIN HOLE TO 8 5/8" X 8 5/8", WAS 9" X 9"  
 REV. B - SIC - 11/2/2023 - UPDATED CI-38-32-CVR AND CI-38-32-FRM MODELS; UPDATED 96-156-MH THICKNESS



AASHTO H-20 RATED – 32,000 LB. SINGLE AXLE LOAD

<b>DRAWN BY: JESSE GUTTING</b>	
<b>CREATED DATE: 7/18/2023</b>	<b>REVISION LEVEL: B</b>
<b>SAVED DATE: 11/2/2023</b>	<b>SAVED BY: scallahan</b>
<b>WEIGHT: 28809 LBS.</b>	<b>MATERIAL: NOTED</b>

1010 NORTH STAR DRIVE  
 P.O. BOX 69  
 ZUMBROTA, MN 55992-0069

<b>DESCRIPTION:</b>		SHEET 1 OF 1
<b>PULL BOX W/ MANHOLE COVER</b>		
DIMENSIONS ARE IN INCHES	CONTACT INFORMATION:	
TOLERANCES:	EMAIL: INFO@CONCASTINC.COM	
FRACTIONAL: ± 1/8"	PHONE: (507) 732-4095	
ANGULAR: ± 2°	FAX: (507) 732-4094	
<b>PART NUMBER:</b>		
<b>PBKO1-96-156-60-MH</b>		