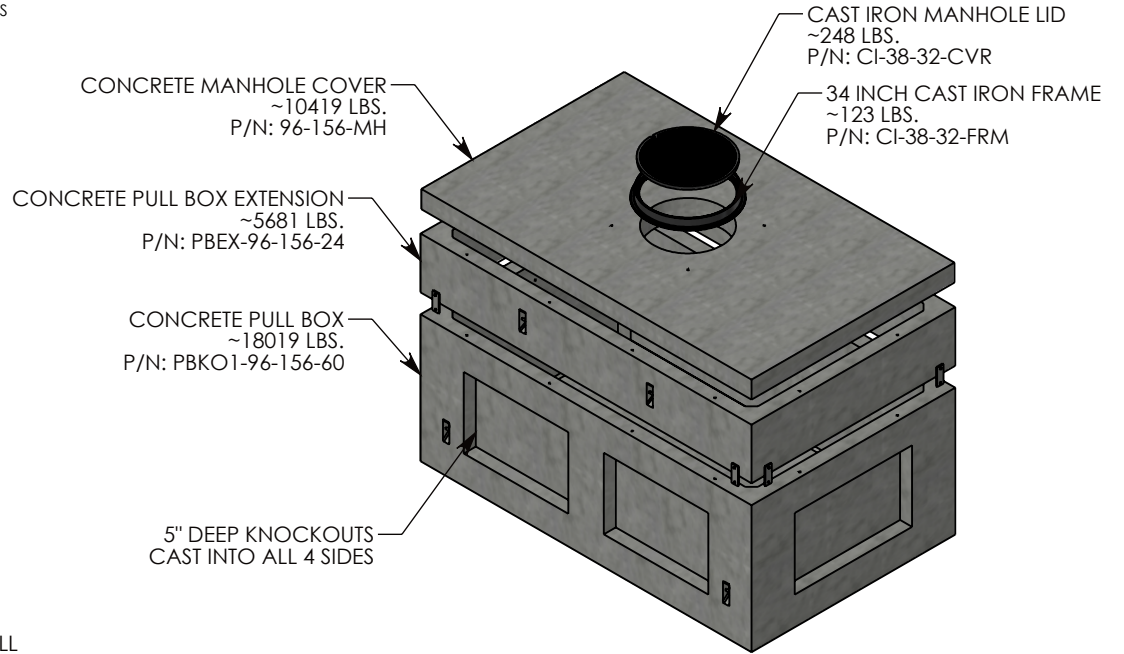
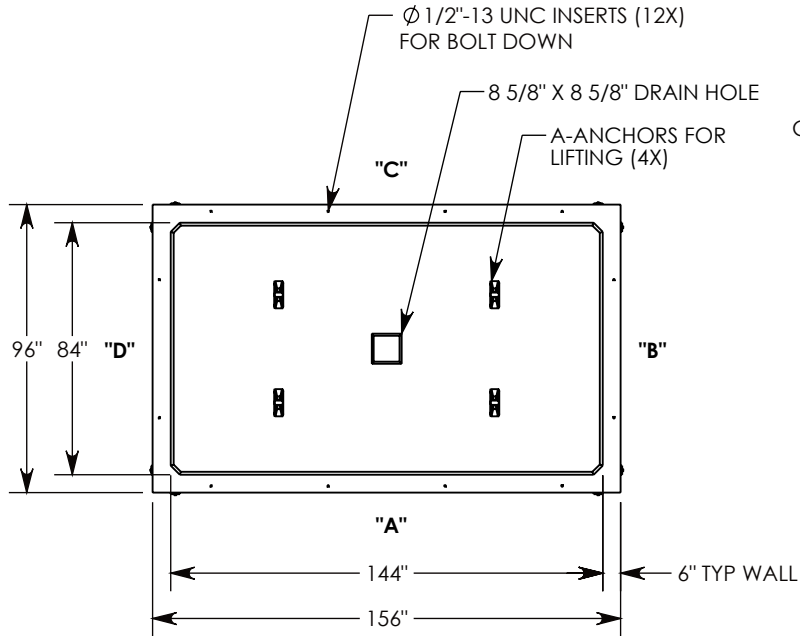
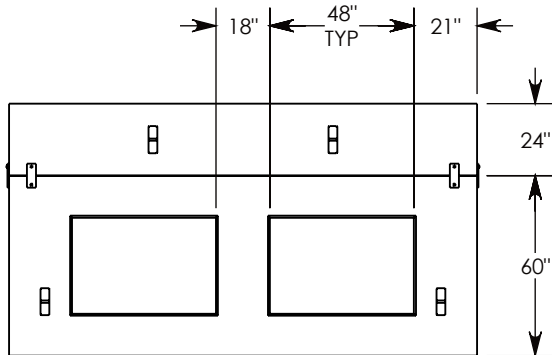


REV. A - SIC - 9/14/2023 - CHANGED DRAIN HOLE TO 8 5/8" X 8 5/8", WAS 9" X 9"
 REV. B - SIC - 11/2/2023 - UPDATED CI-38-32-CVR AND CI-38-32-FRM MODELS; UPDATED 96-156-MH THICKNESS

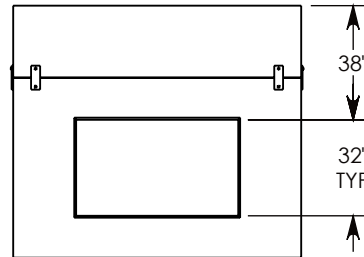


Ø 1/2"-13 UNC INSERT (6X) FOR PULLING EYES. LOCATED ON BOX INTERIOR (2X ON SIDES A&C) (1X ON SIDES B&D)

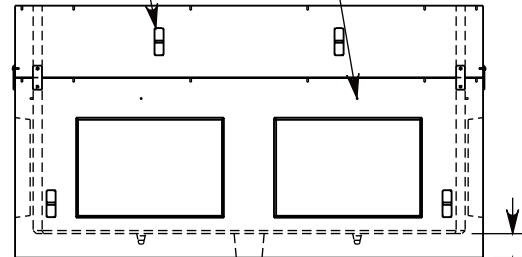
A-ANCHORS FOR LIFTING (4X)



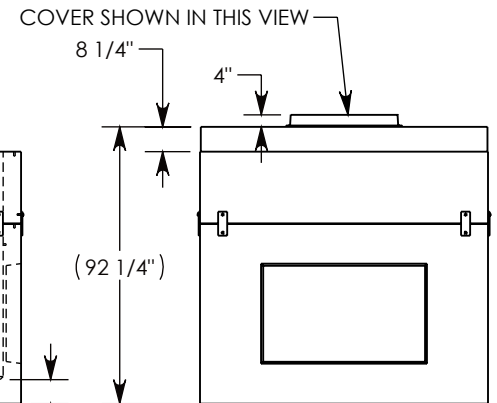
SIDE "A" (HLR)



SIDE "B" (HLR)



SIDE "C"



SIDE "D" (HLR)

AASHTO H-20 RATED - 32,000 LB. SINGLE AXLE LOAD

DRAWN BY: JESSE GUTTING

CREATED DATE: 2/10/2022 **REVISION LEVEL:** B

SAVED DATE: 11/2/2023 **SAVED BY:** scallahan

WEIGHT: 34517 LBS. **MATERIAL:** NOTED

CONCAST
 1010 NORTH STAR DRIVE
 P.O. BOX 69
 ZUMBROTA, MN 55992-0069

DESCRIPTION:
PULL BOX W/ MANHOLE COVER

DIMENSIONS ARE IN INCHES
 TOLERANCES:
 FRACTIONAL: ± 1/8"
 ANGULAR: ± 2°

CONTACT INFORMATION:
 EMAIL: INFO@CONCASTINC.COM
 PHONE: (507) 732-4095
 FAX: (507) 732-4094

SHEET 1 OF 1

PART NUMBER:
PBKO1-96-156-84-MH