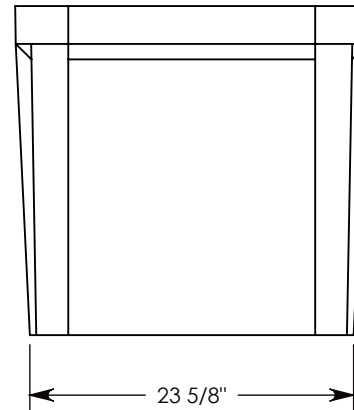
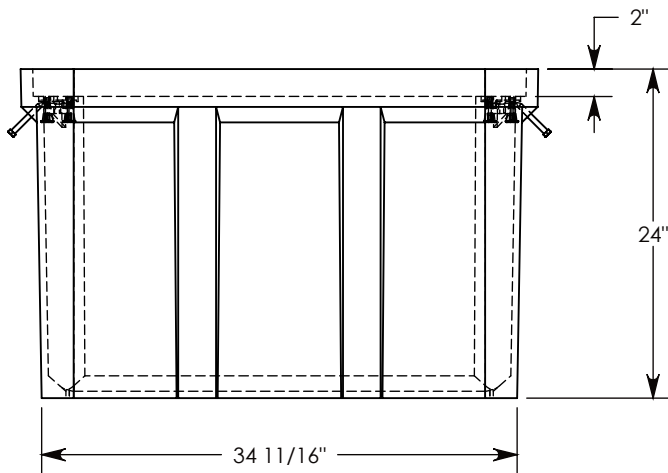


**SOME OUTER WALLS MAY  
CONTAIN A FEW SMALL  
SURFACE CRACKS  
(NON-STRUCTURAL DEFECT)**

Ø 3/8"-16 UNC X 1.5" HEX HEAD LAG BOLT  
FOR LIFTING AND PULLING (4X)



**DRAWN BY: MALACHI MLINAR**

**CREATED DATE: 7/18/2022**    **REVISION LEVEL: 0**

**SAVED DATE: 7/18/2022**    **SAVED BY: mmlinar**

**WEIGHT: 197 LBS.**    **MATERIAL: POLYMER**

**CONCAST**  
1010 NORTH STAR DRIVE  
P.O. BOX 69  
ZUMBROTA, MN 55992-0069

**DESCRIPTION:  
POLYMER HAND HOLE BASE**

DIMENSIONS ARE IN INCHES  
TOLERANCES:  
FRACTIONAL: ± 1/8"  
ANGULAR: ± 2°

CONTACT INFORMATION:  
EMAIL: INFO@CONCASTINC.COM  
PHONE: (507) 732-4095  
FAX: (507) 732-4094

SHEET 1 OF 1

**PART NUMBER:  
PH-24-36-24-S87**