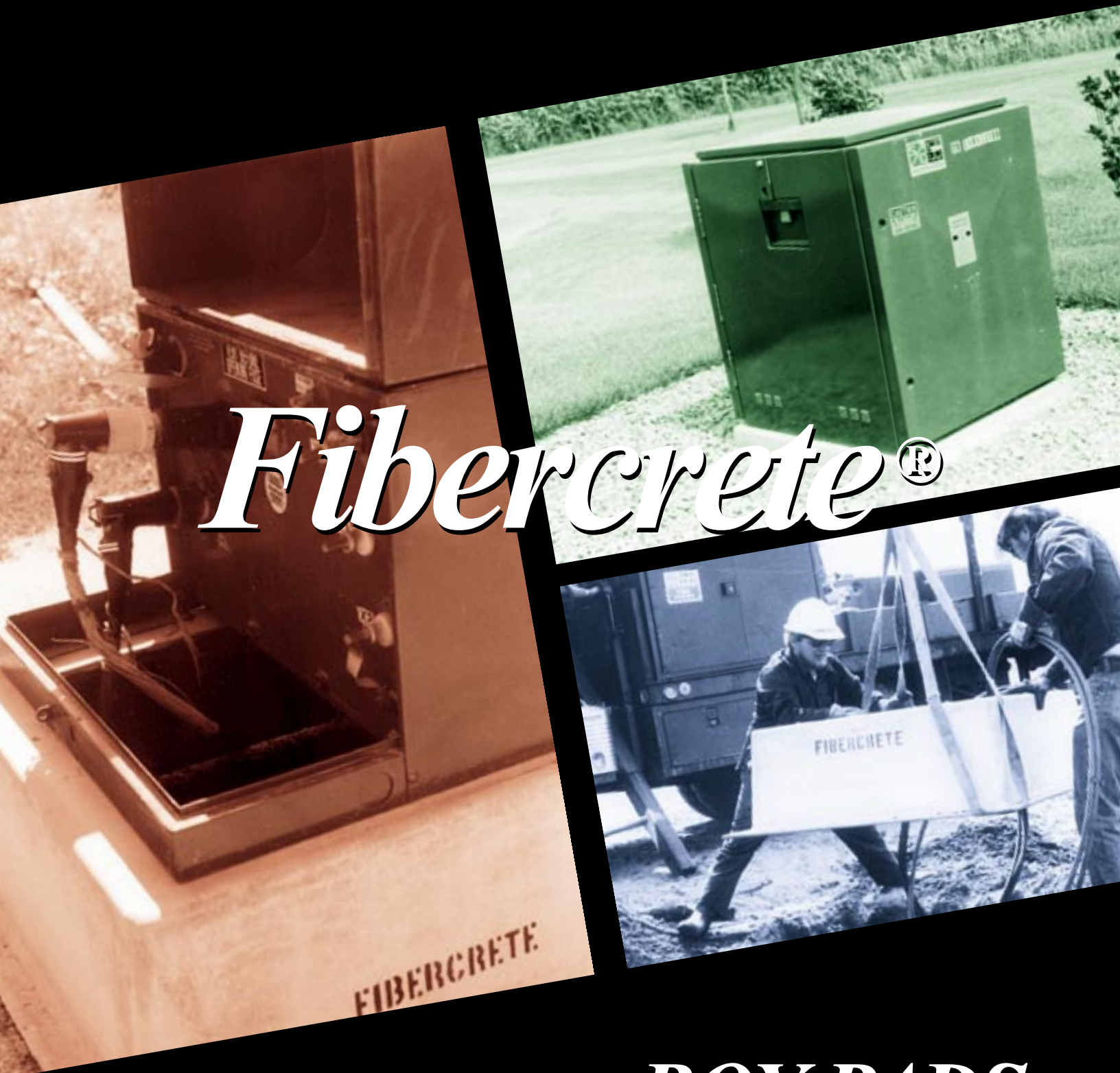


# GONCAST INC.

-PRECISELY ENGINEERED HIGH STRENGTH CONCRETE-



*Fibercrete*®

FIBERCRETE

*BOX PADS*



Concast Fibercrete® Box Pads provide stability and additional cable training space for easier cable installation.

The Fibercrete® Box Pad is precisely engineered with high strength, fiber reinforced concrete. It's high strength/weight ratio yields an extra tough, lightweight unit that saves handling and shipping costs.



Low in place cost plus concrete's proven durability add up to a truly economical installation.

Concast, Inc. was founded in 1969 by Mr. Ben Tilsen, past owner and president. Ben is a concrete technologist known for his work in light weight aggregates and fiber reinforced concrete. He and Concast, Inc. hold patents on material and design in these fields. Concast is a member of the American Concrete Institute and the National Precast Concrete Association.

*Overview* ..... 4

*Sizing and Details* ..... 6

*Common Sizes* ..... 7

*Cross Reference* ..... 8

*Transformers/Sectionalizers* ..... 12

*Split Boxes* ..... 13

*Box Pad Extensions* ..... 13

*Accessories* ..... 14

*Specifications* ..... 15



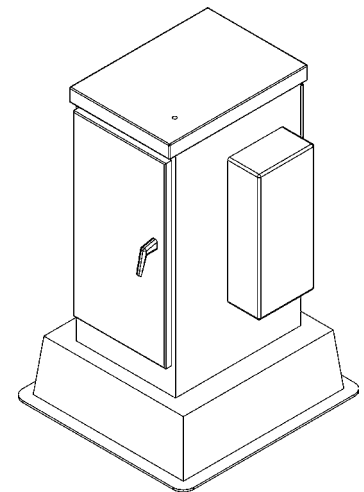
## REDUCE INSTALLATION COST WITH CONCAST FIBERCRETE® BOX PADS

IN-PLACE COST IS LESS than site cast concrete, conventional precast concrete, plastic mortars, or fiberglass plastics.

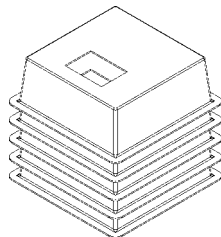


### BENEFITS:

- **HANDLING IS EASY.** A crew of two or three can install a Box Pad without using hoisting equipment. Shipping costs are saved by its light weight construction.
- **HIGH STRENGTH MATERIAL.** Fibercrete® construction makes possible a thin wall product with high strength, providing safe, reliable support for electrical apparatus. Integral bottom flanges support normal equipment loads without sinking.
- **LONG LIFE.** Concrete construction means long life plus fire and corrosion resistance. Inert mineral composition resists temperature extremes, rain, and UV degradation from the sun.
- **IMPACT RESISTANT.** Fibercrete® has about three times the impact resistance of ordinary concrete. In addition, the bases are designed with smooth rounded corners. The result is superior resistance to damage or abrasion from mowers, snow plows and vandals.
- **TAMPER-PROOF.** A Penta-head bolt down Fibercrete® cover can be installed while awaiting later equipment installation.
- **LONG TERM STABILITY.** The underground design of Fibercrete® bases provides stability not obtained with a simple pad. The earth anchoring design resists shifting or tilting. In addition, the base provides room to terminate conductors and to store extra cable.
- **NATURAL APPEARANCE.** Smooth stone-like surfaces blend with natural environment.



Fibercrete® Box Pads can be used to fit any enclosures. Gives any above ground enclosure a basement.



Many box pad sizes can be nested together to save on shipment costs and storage space.

### FEATURES:

**SPLIT BOX DESIGN.** Fibercrete® Box Pads can be made to fit any size enclosure. When a standard box is not available a split box can be produced to the dimensions needed.

**VARIABLE OPENING.** Fibercrete® Box Pads can be produced with a number of openings to fit your needs.

### IDEAL USES:



SWITCHGEAR



TRANSFORMERS



SECTIONALIZERS

### **DETAIL DRAWINGS PROVIDED.**

Concast will provide detail drawings for engineering approval, and to assist construction supervisor in installation. Drawings will show overall box pad size, opening size, weight, and any accessories required (ie. inserts, knockouts).

### **FROM ADVANCED CONCRETE TECHNOLOGY.**

Advanced technology makes possible light, thin shell, precast concrete products which can replace more massive units in ordinary steel reinforced concrete. Drawing from more than 30 years of research and experience, Concast Inc. developed Fibercrete®, a proprietary blend of high strength concrete reinforcing with special fibers, using steel reinforcing where required.

### **QUALITY ASSURANCE AND RESEARCH.**

Concast designs Fibercrete® products for specific applications, then tests them thoroughly for performance. The company molds and cures these products under precise controls at its Zumbrota, MN factory. Research continues at Concast to develop and test new and improved specialized products for the electrical distribution industry.

### **GUIDE SPECIFICATIONS.**

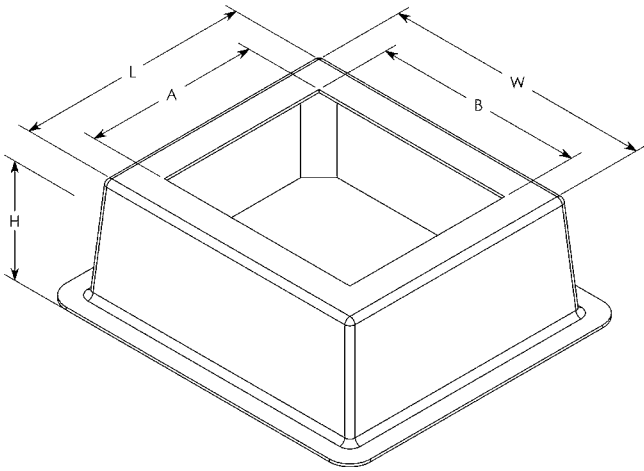
(Complete recommended specifications can be found at the end of the Box Pad Catalog)

Box Pads shall be Concast Fibercrete® or approved equal. It shall be composed of cement mortar, reinforced by alkali resistant fiber, and deformed high tensile wire.

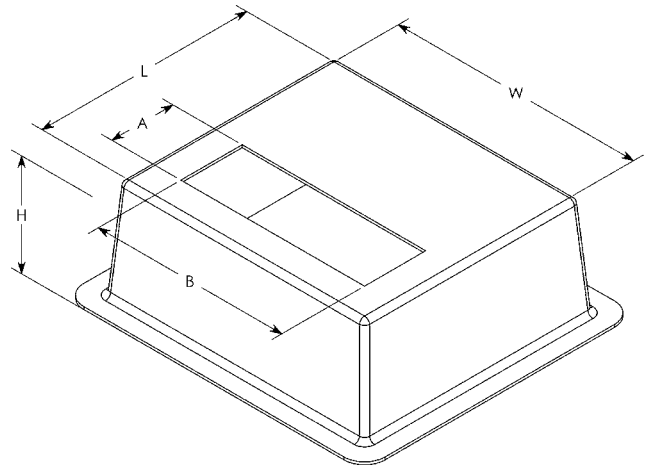
### **CONCAST'S ROLE: TO SERVE YOU.**

*For any special needs, contact your Concast Manufacturing representative, or call the factory direct.  
Concast can make special sizes to meet your requirements.*

**STANDARD OPENING BOX**



**OFFSET OPENING BOX**



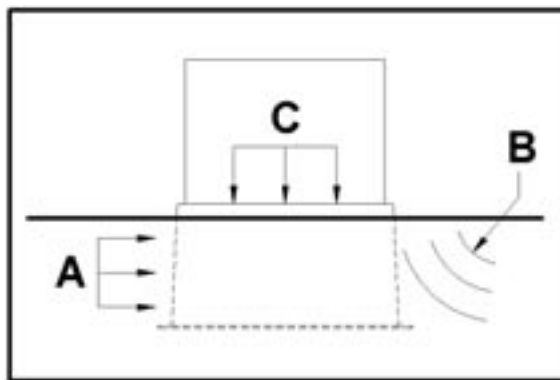
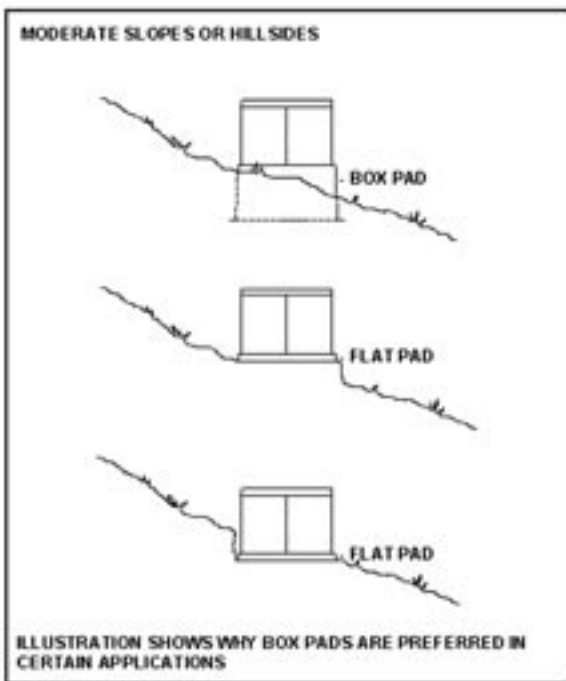
The Catalog number for the Fibercrete® Box Pad is given as: **FC-L-W-H AxB**

- **L** = top length
- **W** = top width
- **H** = overall height
- **A** = opening length on side "L"
- **B** = opening on side "W"

There are numerous Box Pad sizes available for your use. Refer to your Concast parts list for a complete listing of available sizes, or contact your nearest Concast manufacturer's representative.

Custom size Box Pads can be manufactured at the customer's request. A common method for custom boxes is to design a Split Box with the sizes needed. A Split Box is a two part Box Pad which is preassembled at Concast. For more information on Split Boxes see page 13.

At the customer's request, a Box Pad can be equipped with 4 hold down clamps in addition to pre-drilled holes, threaded anchors, cast-in threaded studs or unistrut. For more information on accessories see page 14.



Drawing shows loading to which bases are exposed: (A) side earth pressure, (B) cone of influence from adjacent vertical loads such as vehicles, (C) weight of equipment mounted. Bases must withstand additional stresses at (A), (B), and (C) during installation, backfilling and equipment placement. All Fibercrete® bases are designed and tested to resist these loading forces. (Technical data and laboratory test reports are available from Concast.)

### 6" DEEP BOXES

FC-72-78-6  
FC-78-78-6

### 8" DEEP BOXES

FC-102-102-8

### 12" DEEP BOXES

FC-18-32-12  
FC-36-50-12  
FC-42-52-12  
FC-42-82-12

### 15" DEEP BOXES

FC-20-33-15  
FC-38-43-15  
FC-40-43-15  
FC-40-74-15  
FC-43-43-15  
FC-44-48-15  
FC-72-96-15

### 18" DEEP BOXES

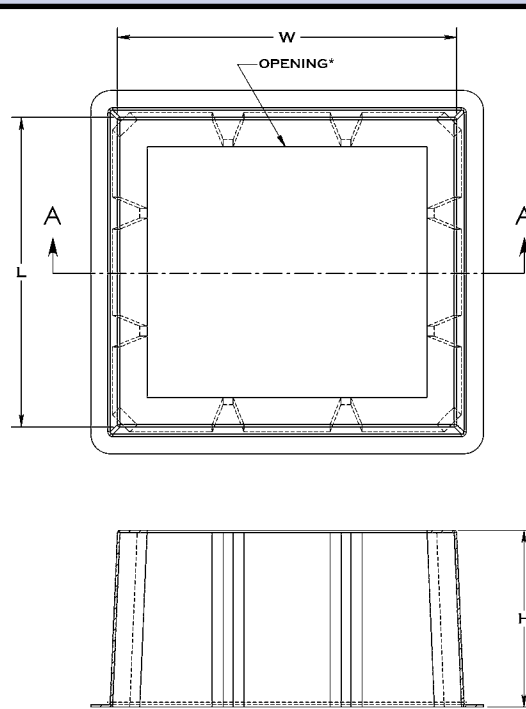
FC-36-52-18  
FC-42-42-18  
FC-50-52-18

### 20" DEEP BOXES

FC-18-65-20  
FC-20-52-20  
FC-23-31-20  
FC-23-67-20  
FC-23-69-20  
FC-37-40-20  
FC-37-52-20  
FC-38-42-20  
FC-39-48-20  
FC-39-53-20  
FC-42-48-20  
FC-42-132-20  
FC-43-69-20  
FC-45-45-20  
FC-48-49-20  
FC-48-54-20  
FC-50-69-20  
FC-54-74-20  
FC-54-80-20  
FC-56-56-20  
FC-63-69-20  
FC-65-65-20  
FC-65-86-20  
FC-66-240-20  
FC-69-79-20  
FC-70-80-20  
FC-74-76-20  
FC-76-76-20  
FC-80-86-20  
FC-85-90-20  
FC-86-98-20

### 24" DEEP BOXES

FC-40-44-24



SECTION A-A

**PART #'s = FC - L - W - H**

\*OPENINGS IN BOX PADS VARY. STANDARD OPENINGS HAVE A 6" LIP. OTHER OPENINGS MAY BE OFFSET. SPECIFY REQUIRED WINDOW SIZE WHEN ORDERING.

### 28" DEEP BOXES

FC-40-48-28

### 32" DEEP BOXES

FC-23-37-32  
FC-23-67-32  
FC-23-85-32  
FC-31-37-32  
FC-32-85-32  
FC-33-42-32  
FC-38-43-32  
FC-42-48-32  
FC-42-85-32  
FC-42-121-32  
FC-44-44-32

### 36" DEEP BOXES

FC-23-69-36  
FC-38-74-36  
FC-40-54-36  
FC-44-84-36  
FC-44-111-36  
FC-49-69-36  
FC-54-80-36  
FC-63-69-36  
FC-63-105-36  
FC-65-73-36  
FC-65-86-36  
FC-67-78-36  
FC-69-79-36  
FC-69-83-36  
FC-69-106-36  
FC-70-70-36  
FC-71-85-36  
FC-74-76-36  
FC-74-102-36  
FC-76-88-36  
FC-76-95-36  
FC-80-86-36  
FC-86-98-36  
FC-85-90-36

### 30" DEEP BOXES

FC-48-48-30

### 48" DEEP BOXES

FC-63-69-48  
FC-74-76-48

## S&C - PMH'S

PMH 14.4 KV SWITCHGEAR	SWITCHGEAR DIMENSIONS	FIBERCRETE BOX PAD SIZES	
		SHALLOW BOX	DEEP BOX
PMH 3	37 3/4 X 34 7/8	FC-37-40-20	FC-38-43-32
PMH 4	37 3/4 X 34 7/8	FC-37-40-20	FC-38-43-32
PMH 5	51 3/4 X 34 7/8	FC-37-54-20	FC-40-54-36
PMH 6	60 3/4 X 67	FC-63-69-20	FC-63-69-36
PMH 7	60 3/4 X 67	FC-63-69-20	FC-63-69-36
PMH 8	60 3/4 X 67	FC-63-69-20	FC-63-69-36
PMH 9	60 3/4 X 67	FC-63-69-20	FC-63-69-36
PMH 10	60 3/4 X 67	FC-63-69-20	FC-63-69-36
PMH 11	60 3/4 X 67	FC-63-69-20	FC-63-69-36
PMH 12	60 3/4 X 67	FC-63-69-20	FC-63-69-36
PMH 13	60 3/4 X 67	FC-63-69-20	FC-63-69-36
PMH 19	60 3/4 X 67	FC-63-69-20	FC-63-69-36
PMH 25 KV	DIMENSIONS	SHALLOW BOX	DEEP BOX
PMH 3	56 3/4 X 43	FC-46-63-20	FC-46-63-36
PMH 4	56 3/4 X 43	FC-46-63-20	FC-46-63-36
PMH 5	65 1/4 X 43	FC-49-69-20	FC-49-69-36
PMH 6	76 3/4 X 82	FC-80-86-20	FC-80-86-36
PMH 7	76 3/4 X 82	FC-80-86-20	FC-80-86-36
PMH 8	76 3/4 X 82	FC-80-86-20	FC-80-86-36
PMH 9	76 3/4 X 82	FC-80-86-20	FC-80-86-36
PMH 10	76 3/4 X 82	FC-80-86-20	FC-80-86-36
PMH 11	76 3/4 X 82	FC-80-86-20	FC-80-86-36
PMH 12	76 3/4 X 82	FC-80-86-20	FC-80-86-36
PMH 13	76 3/4 X 82	FC-80-86-20	FC-80-86-36
PMH 19	_____	_____	_____

## S&C - PME'S

PME 14.4 KV SWITCHGEAR	SWITCHGEAR DIMENSIONS	FIBERCRETE BOX PAD SIZES	
		SHALLOW BOX	DEEP BOX
PME 4	52 3/4 X 41	FC-48-54-20	FC-48-54-36
PME 5	66 3/4 X 41	FC-49-69-20	FC-49-69-36
PME 6	66 3/4 X 75	FC-74-76-20	FC-74-76-36
PME 9	66 3/4 X 75	FC-74-76-20	FC-74-76-36
PME 10	72 3/4 X 75	FC-74-76-20	FC-74-76-36
PME 11	72 3/4 X 75	FC-74-76-20	FC-74-76-36
PME 12	66 3/4 X 75	FC-74-76-20	FC-74-76-36
PME 25 KV	DIMENSIONS	SHALLOW BOX	DEEP BOX
PME 4	62 1/4 X 46	FC-49-69-20	FC-49-69-36
PME 5	81 3/4 X 46	FC-49-86-20	FC-49-86-36
PME 6	81 3/4 X 84	FC-85-90-20	FC-85-90-36
PME 9	81 3/4 X 84	FC-85-90-20	FC-85-90-36
PME 10	88 1/4 X 84	FC-85-90-20	FC-85-90-36
PME 11	88 1/4 X 84	FC-85-90-20	FC-85-90-36
PME 12	81 3/4 X 84	FC-85-90-20	FC-85-90-36

Concast Box Pads are made of a thin shell of Fibercrete®. This thin shell provides superior strength for long term durability and lighter weight for easy installation.

Standard Box Pads come without any holes or hardware for bolting down equipment. If holes or hardware are required please specify when ordering.



Due to possible changes in equipment specifications, please verify outside dimensions of equipment to be supported before ordering.

### S&C VISTA SWITCHGEAR

S&C MODEL	RATINGS		ENCLOSURE DIM.	CONCAST BOX PAD
	kV	kA		
201, 210, 211	15.5	12.5 R1	39 X 61	FC-49-69-36-V
		12.5 R0	39 X 61	FC-49-69-36-V
		25	65 X 79	FC-69-83-36-V
	29	12.5	39 X 61	FC-49-69-36-V
		25	65 X 79	FC-69-83-36-V
	38	12.5	44 X 65	FC-49-69-36-V
25		65 X 79	FC-69-83-36-V	
320, 321, 330	15.5	12.5 R1	61 X 72	FC-69-83-36-V
		12.5 R0	61 X 72	FC-69-83-36-V
		25	65 X 79	FC-69-83-36-V
	29	12.5	65 X 72	FC-69-83-36-V
		25	65 X 79	FC-69-83-36-V
	38	12.5	65 X 79	FC-69-83-36-V
25		65 X 79	FC-69-83-36-V	
413, 422, 431, 440	15.5	12.5 R1	61 X 72	FC-69-83-36-V
		12.5 R0	61 X 72	FC-69-83-36-V
		25	65 X 79	FC-69-83-36-V
	29	12.5	65 X 72	FC-69-83-36-V
		25	65 X 79	FC-69-83-36-V
	38	12.5	65 X 79	FC-69-83-36-V
25		65 X 79	FC-69-83-36-V	
514, 523	15.5	12.5 R1	61 X 102	FC-69-106-36-V
		12.5 R0	61 X 102	FC-69-106-36-V
		25	65 X 102	FC-69-106-36-V
	29	12.5	65 X 102	FC-69-106-36-V
		25	65 X 113	FC-69-117-36-V
	38	12.5	65 X 113	FC-69-117-36-V
25		65 X 113	FC-69-117-36-V	
624, 633	15.5	12.5 R1	61 X 102	FC-69-106-36-V
		12.5 R0	61 X 102	FC-69-106-36-V
		25	65 X 102	FC-69-106-36-V
	29	12.5	65 X 102	FC-69-106-36-V
		25	65 X 113	FC-69-117-36-V
	38	12.5	65 X 113	FC-69-117-36-V
25		65 X 113	FC-69-117-36-V	

Concast Box Pads are made of a thin shell of Fibercrete®. This thin shell provides superior strength for long term durability and lighter weight for easy installation.

Standard Box Pads come with cast-in unistrut for mounting Vista switchgear.

Due to possible changes in equipment specifications, please verify outside dimensions of equipment to be supported before ordering.

Contact your Local Rep. for remote supervisory & source - transfer information.

Concast offers a size to fit all Vista Switchgear.



## FEDERAL PACIFIC - PSI/II'S

PSI/II 15 KV SWITCHGEAR	SWITCHGEAR DIMENSIONS	FIBERCRETE BOX PAD SIZES	
		SHALLOW BOX	DEEP BOX
PSI/II-3	35 1/2 X 44 1/2	FC-39-48-20	FC-38-48-36
PSI/II-4	35 1/2 X 44 1/2	FC-39-48-20	FC-38-48-36
PSI/II-5	35 1/2 X 58 1/2	FC-39-62-20	FC-38-62-36
PSI/II-6	67 X 58 1/2	FC- 63-69-20	FC-63-69-36
PSI/II-61	67 X 72	FC-69-79-20	FC-69-79-36
PSI/II-7	67 X 58 1/2	FC-63-69-20	FC-63-69-36
PSI/II-8	67 X 58 1/2	FC-63-69-20	FC-63-69-36
PSI/II-9	67 X 58 1/2	FC-63-69-20	FC-63-69-36
PSI/II-10	67 X 58 1/2	FC-63-69-20	FC-63-69-36
PSI/II-11	67 X 58 1/2	FC-63-69-20	FC-63-69-36
PSI/II-12	67 X 58 1/2	FC-63-69-20	FC-63-69-36
PSI/II-13	67 X 58 1/2	FC-63-69-20	FC-63-69-36
PSI/II-131	67 X 58 1/2	FC-63-69-20	FC-63-69-36
PSI/II-14	67 X 58 1/2	FC-63-69-20	FC-63-69-36
PSI/II-15	67 X 58 1/2	FC-63-69-20	FC-63-69-36
PSI/II 25 KV	DIMENSIONS	SHALLOW BOX	DEEP BOX
PSI/II-3	43 X 54 1/2	FC-48-59-20	FC-49-59-36
PSI/II-4	43 X 54 1/2	FC-48-59-20	FC-49-59-36
PSI/II-5	43 X 74 1/2	FC-49-79-20	FC-49-79-36
PSI/II-6	82 X 74 1/2	FC-80-86-20	FC-80-86-36
PSI/II-61	82 X 90	FC-85-90-20	FC-85-90-36
PSI/II-7	82 X 74 1/2	FC-80-86-20	FC-80-86-36
PSI/II-8	82 X 74 1/2	FC-80-86-20	FC-80-86-36
PSI/II-9	82 X 74 1/2	FC-80-86-20	FC-80-86-36
PSI/II-10	82 X 74 1/2	FC-80-86-20	FC-80-86-36
PSI/II-11	82 X 74 1/2	FC-80-86-20	FC-80-86-36
PSI/II-12	82 X 74 1/2	FC-80-86-20	FC-80-86-36
PSI/II-13	82 X 74 1/2	FC-80-86-20	FC-80-86-36
PSI/II-131	82 X 74 1/2	FC-80-86-20	FC-80-86-36
PSI/II-14	82 X 74 1/2	FC-80-86-20	FC-80-86-36
PSI/II-15	82 X 74 1/2	FC-80-86-20	FC-80-86-36

## FEDERAL PACIFIC - PSE'S

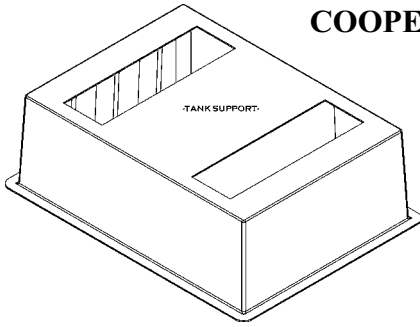
PSE 15 KV SWITCHGEAR	SWITCHGEAR DIMENSIONS	FIBERCRETE BOX PAD SIZES	
		SHALLOW BOX	DEEP BOX
PSE-3	41 X 69 1/2	FC-45-74-20	FC-45-74-36
PSE-4	41 X 52 3/4	FC-48-54-20	FC-48-54-36
PSE-5	41 X 69 3/4	FC-45-74-20	FC-45-74-36
PSE-6	75 X 69 3/4	FC-74-76-20	FC-74-76-36
PSE-7	75 X 69 3/4	FC-74-76-20	FC-74-76-36
PSE-8	75 X 69 3/4	FC-74-76-20	FC-74-76-36
PSE-9	75 X 69 3/4	FC-74-76-20	FC-74-76-36
PSE-10	75 X 72 3/4	FC-74-76-20	FC-74-76-36
PSE-11	75 X 72 3/4	FC-74-76-20	FC-74-76-36
PSE-12	75 X 69 3/4	FC-74-76-20	FC-74-76-36
PSE-13	75 X 72 3/4	FC-74-76-20	FC-74-76-36
PSE 25 KV	DIMENSIONS	SHALLOW BOX	DEEP BOX
PSE-3	46 X 79 1/2	FC-49-86-20	FC-49-86-36
PSE-4	46 X 79 1/2	FC-49-86-20	FC-49-86-36
PSE-5	46 X 81 3/4	FC-49-86-20	FC-49-86-36
PSE-6	84 X 81 3/4	FC-85-90-20	FC-85-90-36
PSE-7	84 X 81 3/4	FC-85-90-20	FC-85-90-36
PSE-8	84 X 81 3/4	FC-85-90-20	FC-85-90-36
PSE-9	84 X 81 3/4	FC-85-90-20	FC-85-90-36
PSE-10	84 X 88 1/4	FC-85-90-20	FC-85-90-36
PSE-11	84 X 88 1/4	FC-85-90-20	FC-85-90-36
PSE-12	84 X 81 3/4	FC-85-90-20	FC-85-90-36
PSE-13	84 X 88 3/4	FC-85-90-20	FC-85-90-36

Concast Box Pads are made of a thin shell of Fibercrete®. This thin shell provides superior strength for long term durability and lighter weight for easy installation.

Standard Box Pads come without any holes or hardware for bolting down equipment. If holes or hardware are required please specify when ordering.

Due to possible changes in equipment specifications, please verify outside dimensions of equipment to be supported before ordering.

## COOPER - (KYLE SWITCHGEAR)

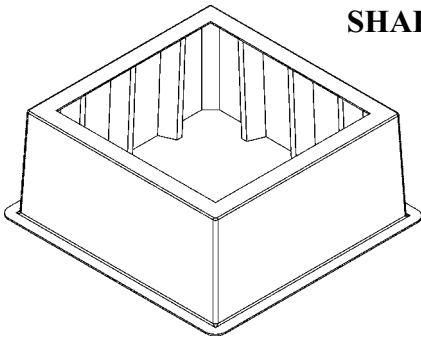


All Cooper Box Pads are engineered with added supports to accommodate bearing surfaces for Kyle Switchgear.

COOPER MODEL #	SHALLOW BOX	DEEP BOX
VFI-5	FC-44-84-20 (VFI-5)	FC-44-84-36 (VFI-5)
VFI-6	FC-74-102-20 (VFI-6)	FC-74-102-36 (VFI-6)
VFI-7	FC-74-102-20 (VFI-7)	FC-74-102-36 (VFI-7)
VFI-8	FC-74-102-20 (VFI-8)	FC-74-102-36 (VFI-8)
VFI-9	FC-74-102-20 (VFI-9)	FC-74-102-36 (VFI-9)
VFI-11	FC-74-102-20 (VFI-11)	FC-74-102-36 (VFI-11)
VFI-12	FC-74-102-20 (VFI-12)	FC-74-102-36 (VFI-12)

Due to the many size configurations of the VFI style switchgear, please verify exact model number when ordering.

## SHALLBETTER SWITCHGEAR

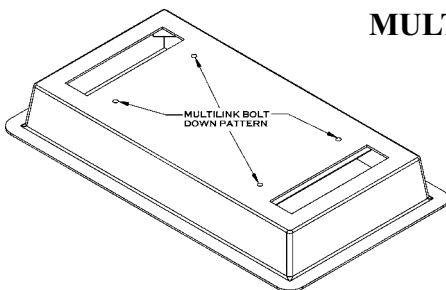


All Shallbetter Box Pads are designed with a standard 6" top flange.

SHALLBETTER MODEL #	SHALLOW BOX	DEEP BOX
SPD 6, 7, 9, 12 (15KV)	FC-69-79-20	FC-69-79-36
SPD 10, 11, 13A (15KV)	FC-74-76-20	FC-74-76-36
SPD 6 - 13A (25KV)	FC-85-90-20	FC-85-90-36
SPL 6 - 19 (15KV)	FC-63-69-20	FC-63-69-36
SPL 6 - 14 (25KV)	FC-80-86-20	FC-80-86-36

These are only a few of the Shallbetter Box Pads that Concast manufactures, please contact your local representative for a complete list.

## MULTILINK OTN



All Multilink OTN Box Pads are equipped with inserts for mounting cabinet.

MULTILINK PART#	DIMENSIONS	BOX PAD SIZE
14002 - 2BAY	36 1/2 X 54 1/4	FC-42-58-12
14001 - 4BAY	36 1/2 X 78 1/2	FC-42-82-12
14000 - 6BAY	36 1/2 X 106 1/2	FC-42-110-12

For other Multilink Enclosures please contact your local representative for an available Box Pad.

### OTHER MANUFACTURES:

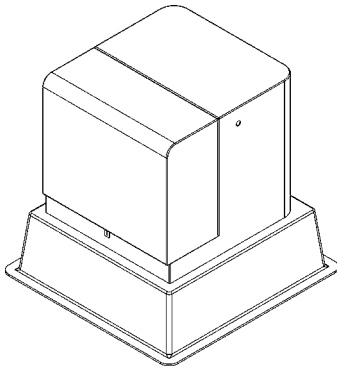
ABB  
MAYSTEEL  
TRAYER  
SQUARE D

G&W ELECTRIC  
KUHLMAN  
HOWARD

ERMCO  
MALTON  
HONEYWELL

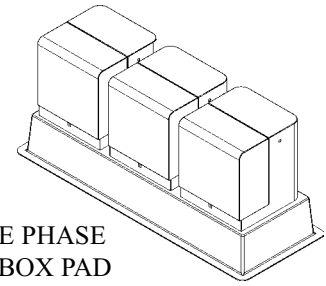
For a complete Cross Reference Sheet for companies not shown please contact your local Concast Representative. For a list of Concast Representatives in your area please visit our website at: [www.concastinc.com/rep.htm](http://www.concastinc.com/rep.htm)

## SINGLE PHASE TRANSFORMERS



Single phase transformer box pads are light weight and can be easily handled by two people.

CONCAST BOX PAD	OPENING SIZE
FC-38-43-15-2631	26 X 31
FC-40-43-15-2215	22 X 15
FC-44-48-15-3015	30 X 15
FC-42-48-20-2626	26 X 26
FC-40-44-24-25.518	25.5 X 18
FC-38-43-32-2215	22 X 15
FC-42-48-32-2626	26 X 26
FC-42-132-20-3HOLES*	3 @ 16 X 16
FC-40-74-15-2HOLES**	2 @ 24 X 28
FC-44-111-36-3HOLES*	3 @ 11 X 22

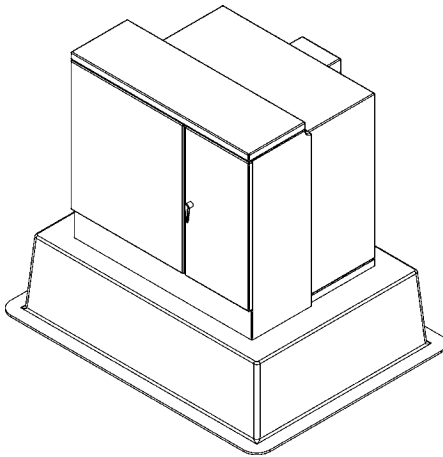


SINGLE PHASE GANG BOX PAD

\*Designed for 3 single phase transformers.  
 \*\*Designed for 2 single phase transformers.

STANDARD OPENING SIZE SHOWN, OTHERS AVAILABLE.

## THREE PHASE TRANSFORMERS



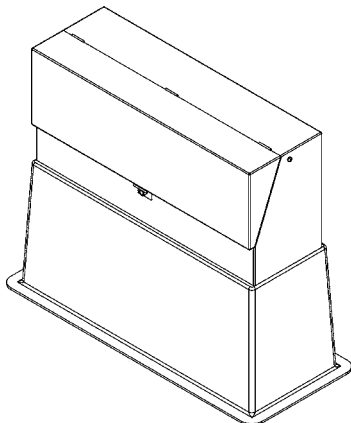
Three phase transformer box pads have internal reinforcing walls to accommodate excessive weight of oil tanks.

CONCAST BOX PAD	OPENING SIZE
FC-50-69-20-1858	18 X 58
FC-54-74-20-1550	15 X 50
FC-65-65-20-1550	15 X 50
FC-65-86-20-2062	20 X 62
FC-70-80-20-1568	15 X 68
FC-72-96-15-4818	48 X 18
FC-76-76-20-1860	18 X 60
FC-86-98-20-1865	18 X 65

CONCAST BOX PAD	OPENING SIZE
FC-65-86-36-2068	20 X 68
FC-70-70-36-2758	27 X 58
FC-86-98-36-2180	21 X 80

STANDARD OPENING SIZE SHOWN, OTHERS AVAILABLE.

## SECTIONALIZER CABINETS



CONCAST BOX PAD	OPENING SIZE
FC-18-32-12	8 X 22
FC-20-33-15	8 X 22
FC-18-65-20	6 X 53
FC-20-52-20	10 X 42
FC-23-31-20	18 X 26
FC-23-67-20	18 X 62
FC-23-69-20	11 X 57

CONCAST BOX PAD	OPENING SIZE
FC-23-37-32	18 X 32
FC-23-67-32	18 X 62
FC-23-85-32	18 X 80
FC-32-85-32	27 X 80
FC-42-121-32	35 X 114
FC-23-69-36	11 X 57

### SPLIT BOX PADS

Even with Concast's large mold inventory there are instances when a special size is needed. Concast has developed a way to produce these additional sizes.

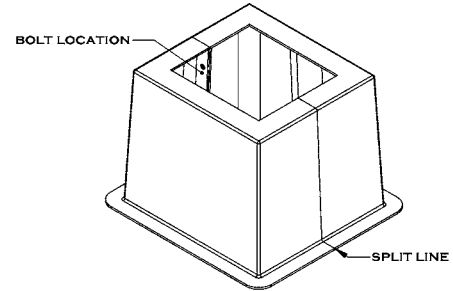
Split box pads are made in two halves, adhered, sealed, and bolted together at the factory and shipped as one unit.

These boxes have the same strength and durability as our standard one piece design with the flexibility to meet your special needs.

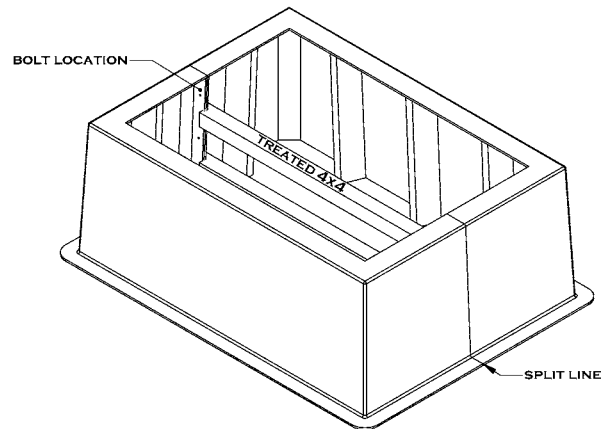
Two piece box pads can be shipped unassembled for instances where existing equipment foundations need to be replaced. Box will come with kit which includes all necessary adhesive and hardware.

**Ideal Uses:**

- Custom or special size equipment
- Extra Large equipment
- One time size requirements
- Reinstallations



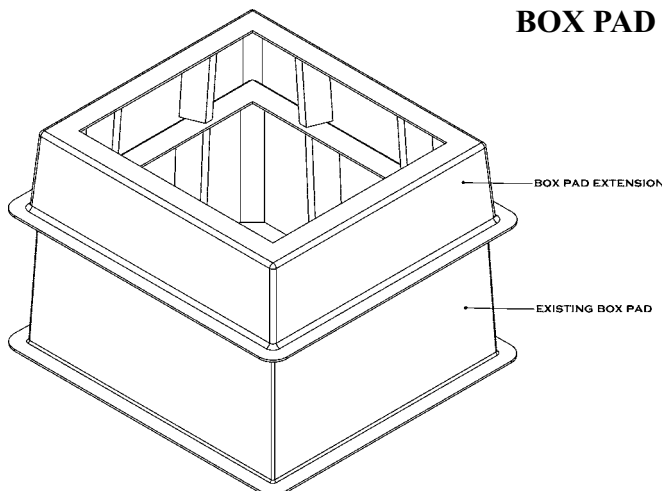
Small split boxes are manufactured without center support braces.



Large split boxes are manufactured with center support braces, to help distribute backfill and ground soil pressures.

## BOX PAD EXTENSIONS

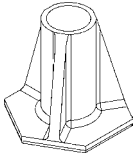
### BOX PAD EXTENSIONS



In areas where grade changes occur, Concast has developed box pad extensions. Box pad extensions can be used to give any box pad added elevation without excavation of existing bases. These extensions fit over existing pads and can be made to accommodate new grade height.

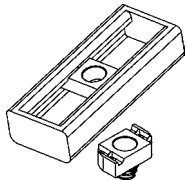
Box pad extensions can also be used at initial installations for extra depth requirements.

**CAST-IN HARDWARE**



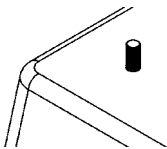
**THREADED INSERTS**

Threaded inserts can be cast in top of box pad for equipment mounting and/or lifting. Insert sizes range from 1/4" - 1". Standard inserts are lead, but stainless steel and plastic are available. Location to customer spec.



**UNISTRUT**

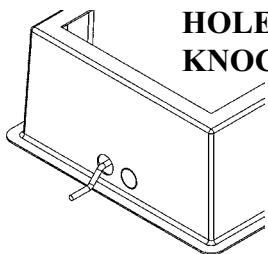
Unistrut with spring nut inserts are typically used for equipment bolt down. The spring nut slides within the unistrut for added mounting flexibility. Location to customer spec.



**THREADED STUDS**

Threaded studs are similar to inserts in that they are used for mounting equipment. A raised stud is cast into the box pad to customers desired height and location.

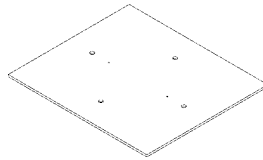
**HOLES/ KNOCKOUTS**



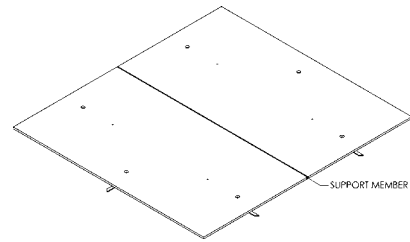
When conduit/cables can not be routed deep enough to enter bottom of box pad, holes or knockouts may be used in box pad side wall. Fibercrete® can be drilled with any masonry tools on site or Concast will predrill or void out any required holes or knockouts.

**FIBERCRETE® BOX PAD COVERS**

**SMALL (1) PIECE COVERS**



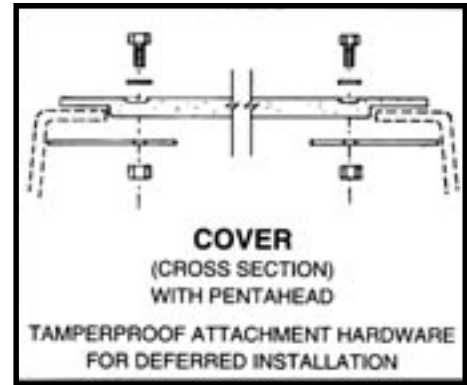
**LARGE (2) PIECE COVERS**



Fibercrete® Box Pad Covers can be used for making any box pad into a hand hole or junction box.

For safety and security reasons covers are used for delayed equipment installation, where box pad is installed prior to equipment.

Example Part# 74-76-C6264 (74-76) - Refers to box pad size. (C) - Cover (6264) - Opening size in box.



**MOUNTING HARDWARE**

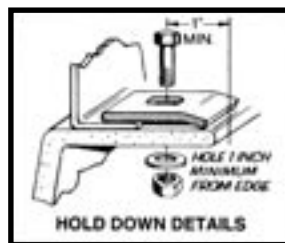
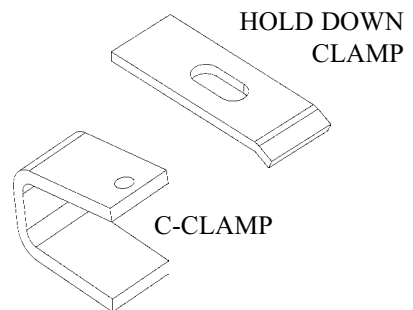
Mounting hardware can be supplied with any box pad per request. All mounting hardware is standard Yellow Zinc plated (other finishes available).

**Hold Down Clamp:**

- Includes bolt, washer, and nut.
- Used with drilled hole or threaded insert.

**C-Clamp:**

- Includes bolt.
- No holes or threaded inserts required.



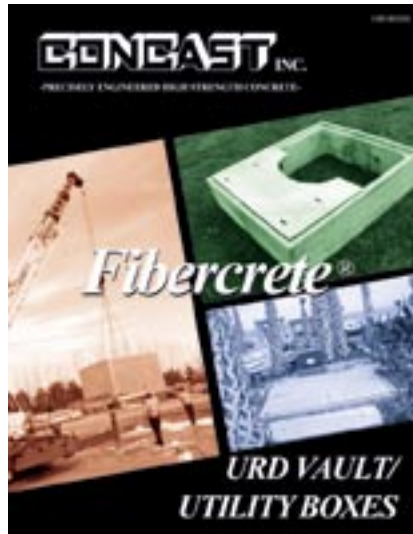
**SPECIFICATIONS FOR BOX PADS****1. GENERAL**

- 1-A.** The pad shall be composed of cement mortar reinforced by alkali resistant glass fibers, manufactured by means of the Concast spray lay up method incorporating a minimum of 4 percent volume A.R. glass fibers.
- 1-B.** The pad shall be constructed with internal support columns and they shall extend the entire depth of the box pad to ensure full support of the upper lip of the box pad.
- 1-C.** The pad shall have a top surface lip sized to permit secure fastening of equipment all around.
- 1-D.** The pad shall have a rigid, flat, and stable top surface.
- 1-E.** The pad must not warp, support flame, rust, or be UV degradable.
- 1-F.** The finished pad shall not sustain combustion.
- 1-G.** The pad must not be affected by asphalt, road salts, fertilizers, transformer oil, other common chemicals, weather, sunlight or other normal service conditions that it might be exposed to.
- 1-H.** Freezing - The pad shall be designed and constructed so that it and any hardware used will not trap or hold water, and will be able to withstand repeated freeze/thaw cycles.
- 1-I.** Color - The color used in manufacture of box pad shall be natural concrete gray.
- 1-J.** Temperature Limits - The pad shall be capable, with equipment installed, of withstanding temperature variations of -40 degrees C to +65 degrees C without cracking, splitting, or deforming.
- 1-K.** Covers - Covers shall be made available by manufacturer for all sizes of box pads for delayed equipment installations, to prevent damage to box, unwanted litter, and accidental falling.
- 1-L.** For sizes other than standard, a split box shall be made available to fit design requirements and dimensions of equipment being supported.

**2. DRAWINGS**

- 2-A.** Drawings must be made available upon request for engineering approval and field installation and identification.
- 2-B.** Drawings will be in AutoCad format or equal and can be mailed, faxed, or emailed upon customer's request.

# OUR COMPLETE LINE OF CATALOGS



CONCAST, Inc.  
1010 North Star Drive  
P.O. Box 69 • Zumbrota, MN 55992-0069  
Phone: (507) 732-4095 • Fax: (507) 732-4094  
email: [info@concastinc.com](mailto:info@concastinc.com)  
web: [www.concastinc.com](http://www.concastinc.com)