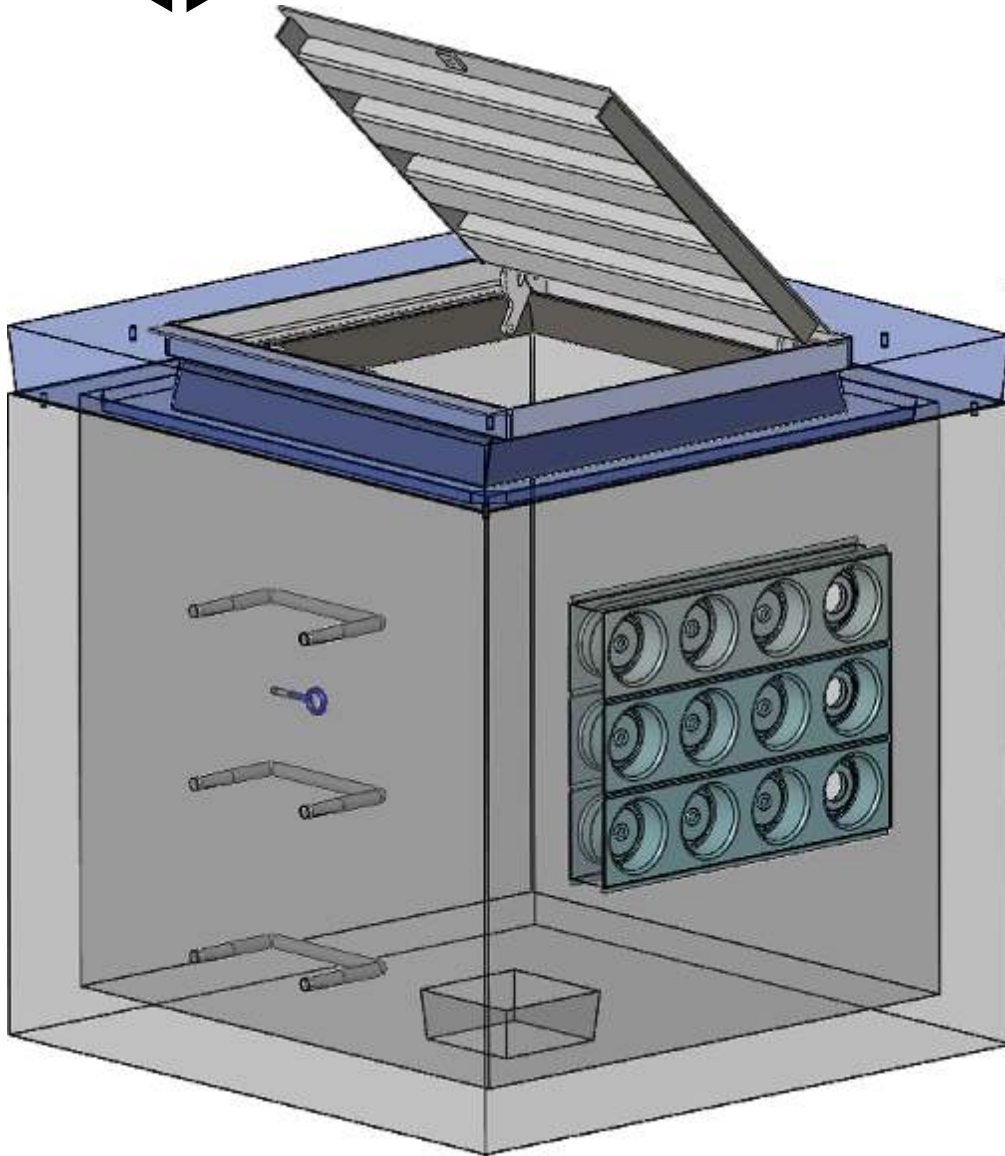


CONCAST

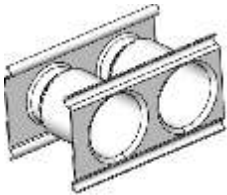


*Precisely
Engineered
High Strength
Concrete*

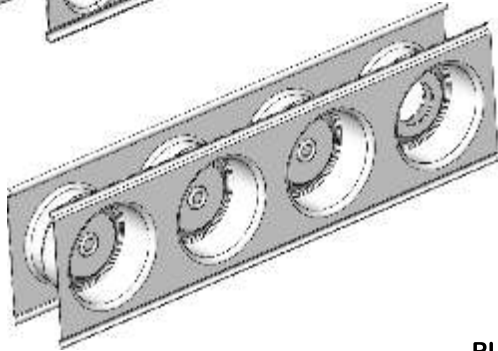
***New Design
Options!***

Fibercrete®

PULL BOXES



DUCT TERMINATORS
AVAILABLE IN MANY SIZES
AND CONFIGURATIONS FOR
SCHEDULE 40 PVC CONDUIT.



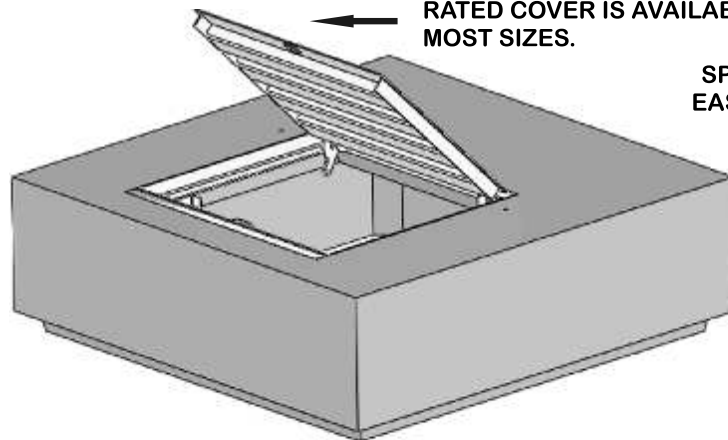
PULL BOX COVERS ARE
AVAILABLE IN CONCRETE,
STEEL, AND ALUMINUM

AVAILABLE IN ANY WEIGHT/
TRAFFIC RATING

PB-38-38-42
PB-38-44-42
PB-38-44-53
PB-56-56-52
PB-72-72-48
PB-72-96-48
PB-72-120-48
PB-72-144-48

PB-WIDTH-LENGTH-DEPTH
* depth can vary

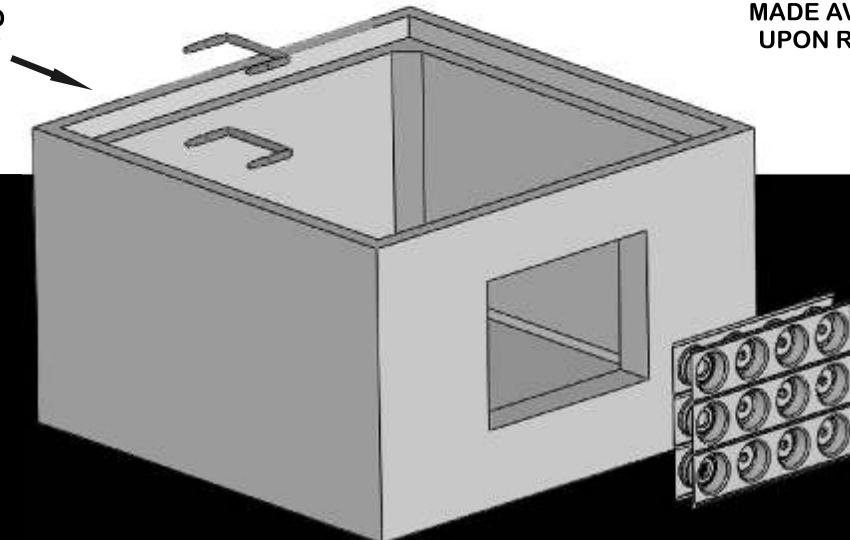
SPRING ASSIST HEAVY TRAFFIC
RATED COVER IS AVAILABLE IN
MOST SIZES.



SPRING ASSIST COVER IS
EASILY OPERATED BY ONE
PERSON & FEATURES A
SECURITY BOLT-DOWN
OPTION.

OPTIONAL LADDER RUNGS

STACKABLE BOXES ARE DESIGNED
WITH INTERLOCKING JOINTS THAT
CAN BE SEALED WITH ADHESIVE
SEALANT FOR WATERPROOFING.



* LARGE OPENINGS OR
CONCRETE KNOCKOUTS
IN PULL BOX CAN BE
MADE AVAILABLE
UPON REQUEST.

CONCAST, Inc.

1010 North Star Drive

P.O. Box 69

Zumbrota, MN 55992-0069

Phone: (507) 732-4095

Fax: (507) 732-4094

email: [info @ concastinc.com](mailto:info@concastinc.com)

web: www.concastinc.com