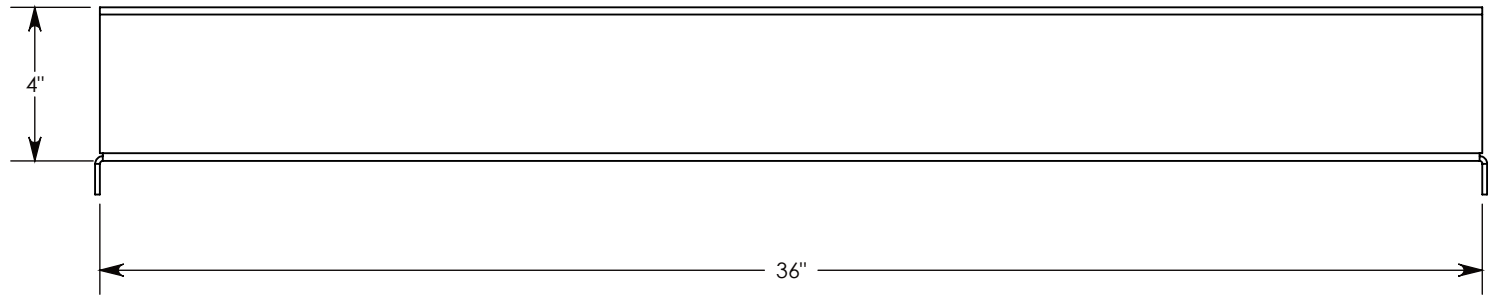
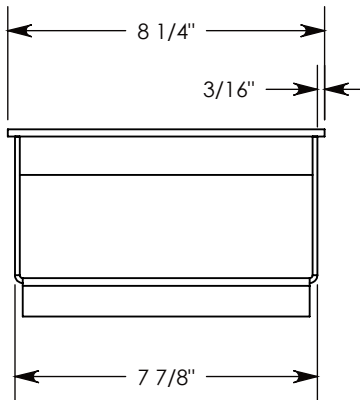
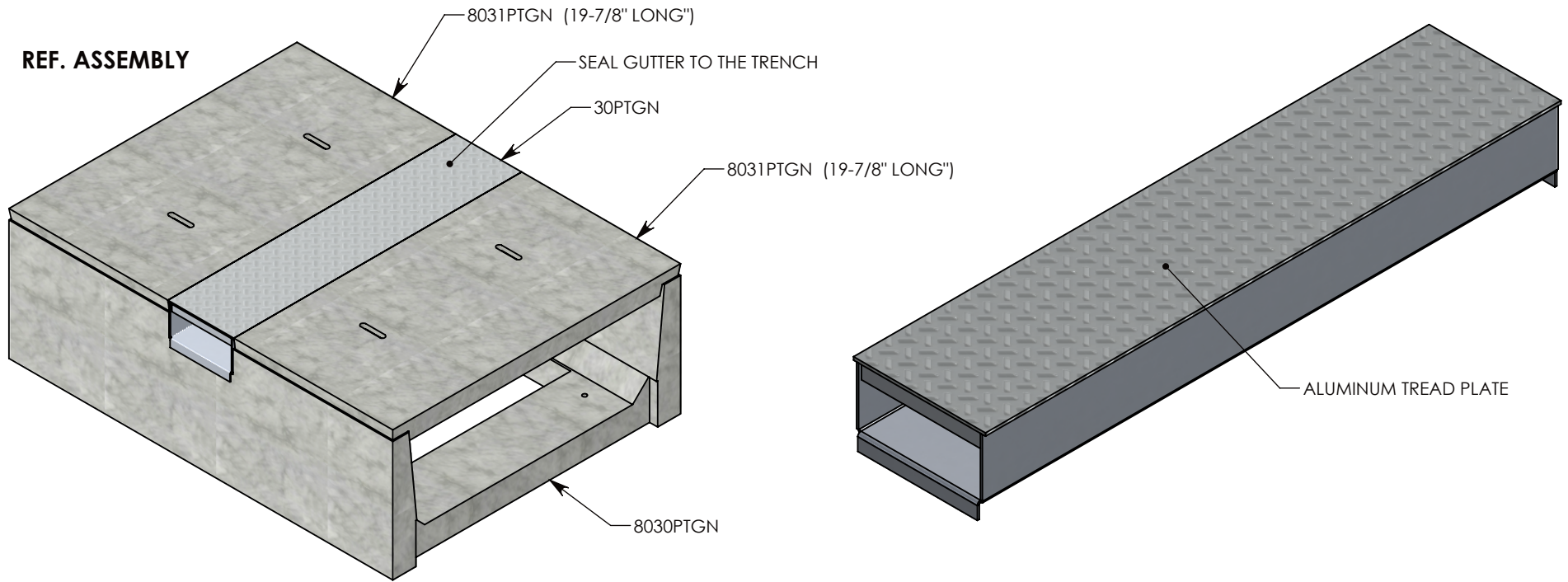


**REF. ASSEMBLY**



**NOTE 1:** FITS AN 8030PTGN , 803016PTGN, OR AN 803024PTGN CHANNEL.  
**NOTE 2:** SEAL THE GAP BETWEEN NOTCH & CHANNEL IN THE FIELD.

PEDESTRIAN RATED - 200 LB. PER SQ. FOOT

<b>DRAWN BY: ROBIN FLINT</b>	
<b>DATE: 3/11/2015</b>	<b>REVISION LEVEL: A</b>
<b>WEIGHT: 13 LBS.</b>	<b>MATERIAL: WELDED ALUMINUM</b>



**CONCAST**  
 1010 NORTH STAR DRIVE  
 P.O. BOX 69  
 ZUMBROTA, MN 55992-0069

<b>DESCRIPTION: GUTTER NOTCH</b>		SHEET 1 OF 1
DIMENSIONS ARE IN INCHES TOLERANCES: FRACTIONAL: ± 1/8" ANGULAR: ± 2°	CONTACT INFORMATION: EMAIL: INFO@CONCASTINC.COM PHONE: (507) 732-4095 FAX: (507) 732-4094	
<b>PART NUMBER: 30PTGN</b>		