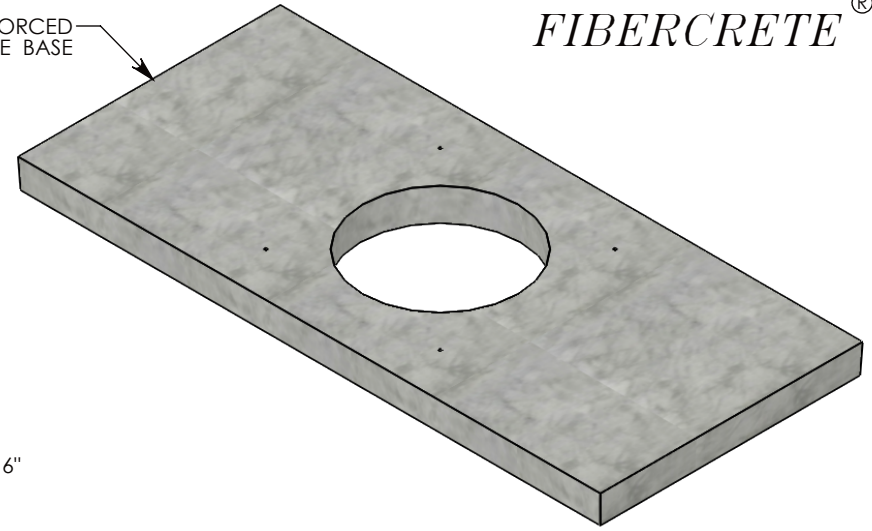
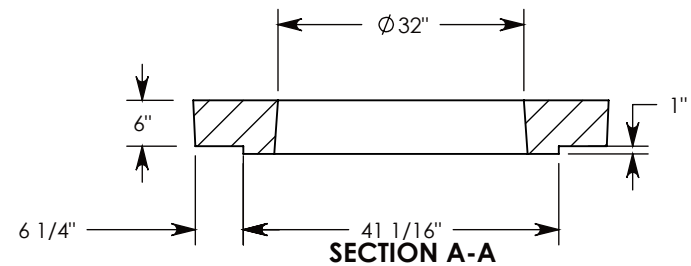
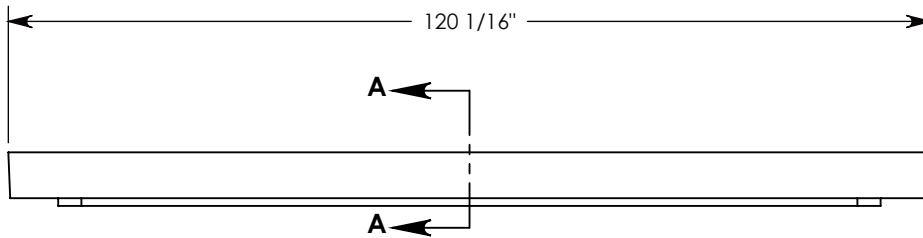
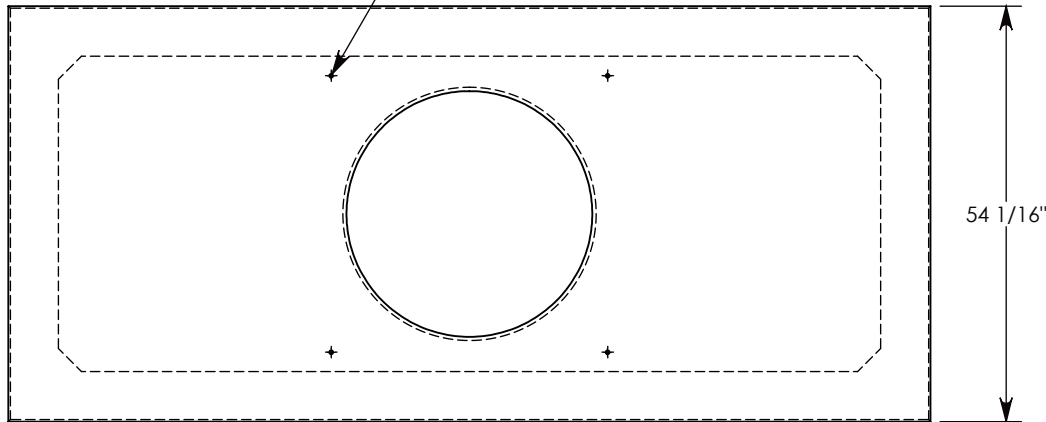


FIBERCRETE®

STEEL REINFORCED
CONCRETE BASE



Ø 1/2"-13 UNC INSERT
FOR LIFTING (4X)



NOTE 1: USE OPTIONAL 4" TALL EXTENSION/GRADE RINGS TO INCREASE HEIGHT OF COVER OPENING. P/N: HE-42
NOTE 2: CAST IRON MANHOLE LID & FRAME ARE INCLUDED WITH THE FINAL PULL BOX ASSEMBLY.

H-20 RATED - 32,000 LB. PER AXLE LOAD.

DRAWN BY: ROBIN FLINT		 1010 NORTH STAR DRIVE P.O. BOX 69 ZUMBROTA, MN 55992-0069	DESCRIPTION:	
DATE: 9/4/2016	REVISION LEVEL: A		MANHOLE COVER BASE	
WEIGHT:	MATERIAL:		DIMENSIONS ARE IN INCHES TOLERANCES: FRACTIONAL: ± 1/8" ANGULAR: ± 2°	CONTACT INFORMATION: EMAIL: INFO@CONCASTINC.COM PHONE: (507) 732-4095 FAX: (507) 732-4094
3052 LBS.	CONCRETE	PART NUMBER:		54-120-MH