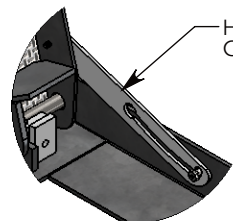


HINGED COVER W/ TREAD PLATE (2X)
P/N: 60-54-SPA ~408 LBS

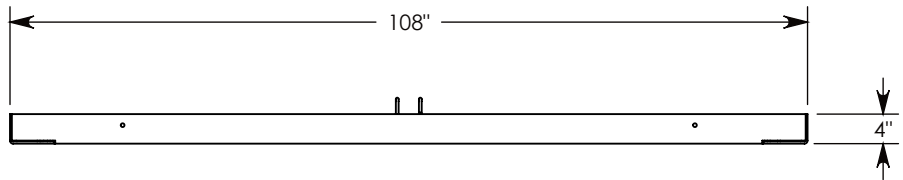
BOLT SLOT (4X)

60"

DETAIL A
SCALE 1 : 13

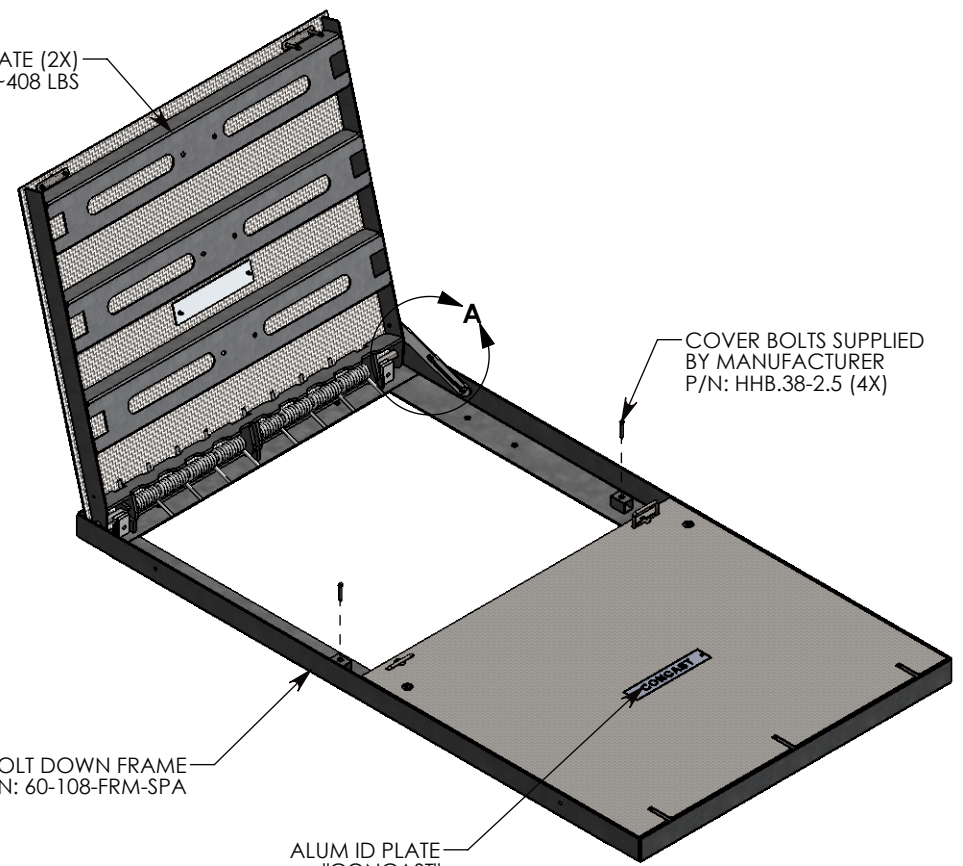


HINGE ARM LOCKS
COVER OPEN



108"

4"

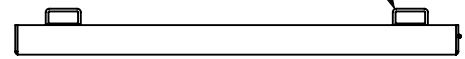


COVER BOLTS SUPPLIED
BY MANUFACTURER
P/N: HHB.38-2.5 (4X)

BOLT DOWN FRAME
P/N: 60-108-FRM-SPA

ALUM ID PLATE
"CONCAST"
P/N: LTR-ID

LIFT RING SHOWN EXTENDED



AASHTO H-20 RATED – 32,000 LB. SINGLE AXLE LOAD

DRAWN BY: JESSE GUTTING	
CREATED DATE: 7/27/2020	REVISION LEVEL: 0
SAVED DATE: 7/27/2020	SAVED BY: jgutting
WEIGHT: 1138 LBS.	MATERIAL: NOTED



CONCAST
1010 NORTH STAR DRIVE
P.O. BOX 69
ZUMBROTA, MN 55992-0069

DESCRIPTION: SG SPRING ASSISTED COVER & FRAME	
DIMENSIONS ARE IN INCHES TOLERANCES: FRACTIONAL: ± 1/8" ANGULAR: ± 2°	CONTACT INFORMATION: EMAIL: INFO@CONCASTINC.COM PHONE: (507) 732-4095 FAX: (507) 732-4094
PART NUMBER: 60-108-SPA	