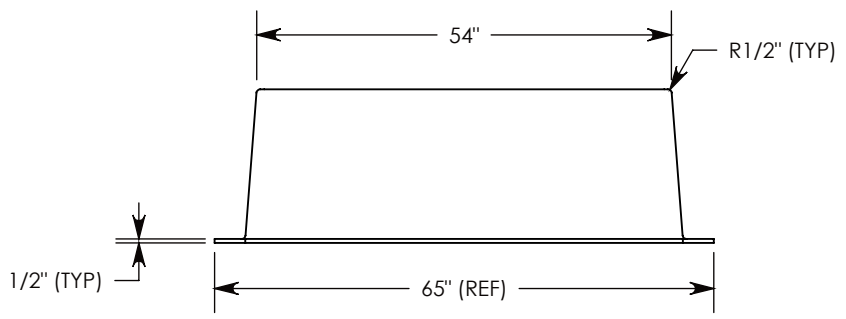
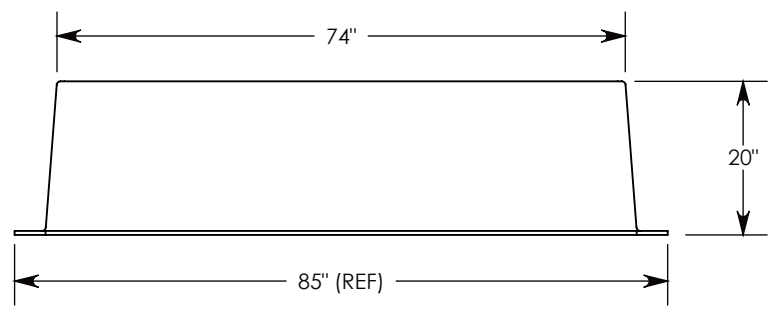
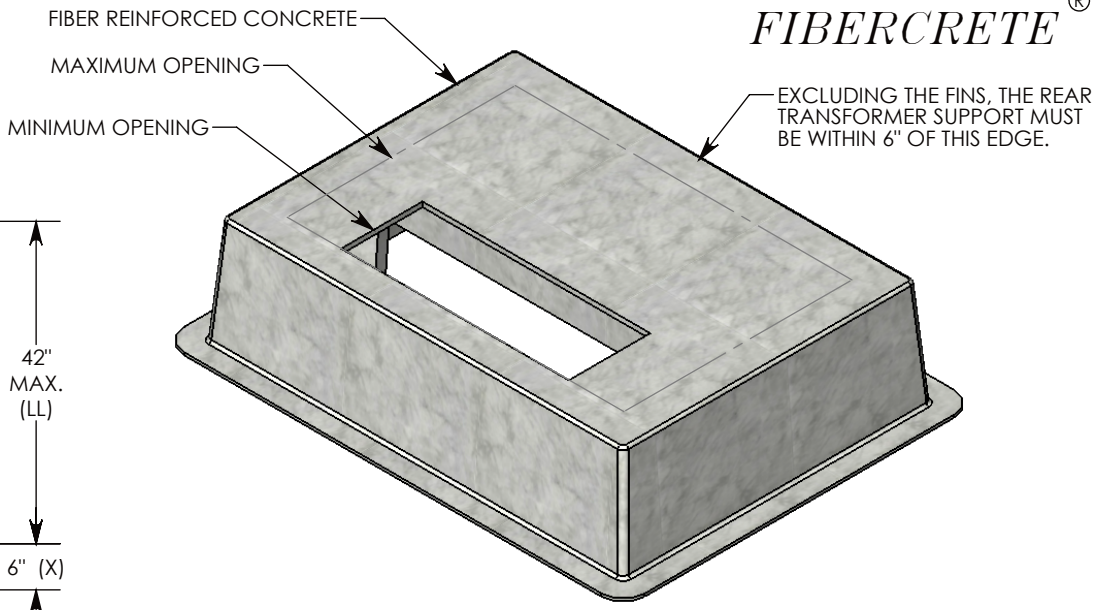
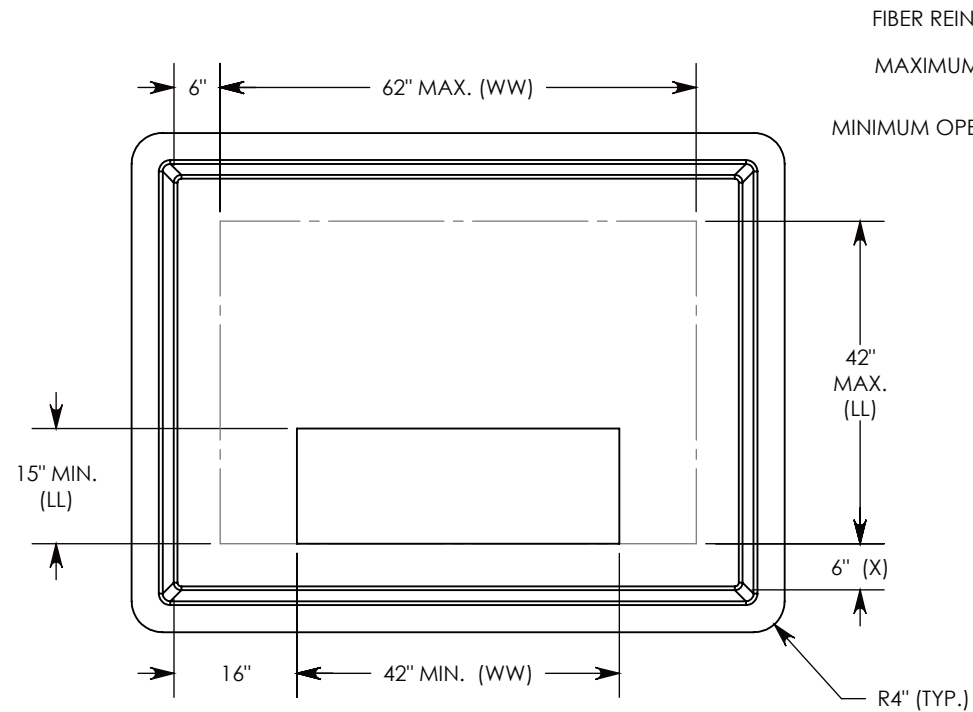


**FIBERCRETE**®



Ø 1/2"-13 UNC LIFTING INSERTS WILL BE CAST INTO BOX PAD  
 IF SPECIFIC INSERTS OR MOUNTING HARDWARE ARE REQUIRED, PLEASE SPECIFY WHEN ORDERING.  
 PART NUMBER IS BASED ON OPENING SIZE. IE: THE SMALLEST OPENING PAD IS P/N: FC-54-74-20-1542(6)  
 THE LARGEST OPENING PAD IS P/N: FC-54-74-20-4262

<b>DRAWN BY: ROBIN FLINT</b>	
<b>DATE: 3/5/2012</b>	<b>REVISION LEVEL: 0</b>
<b>WEIGHT: 688 LBS.</b>	<b>MATERIAL: FIBERCRETE FC</b>



**CONCAST**  
 1010 NORTH STAR DRIVE  
 P.O. BOX 69  
 ZUMBROTA, MN 55992-0069

<b>DESCRIPTION:</b>		
<b>FIBERCRETE TRANSFORMER BOX PAD</b>		
DIMENSIONS ARE IN INCHES TOLERANCES: FRACTIONAL: ± 1/8" ANGULAR: ± 2°	CONTACT INFORMATION: EMAIL: INFO@CONCASTINC.COM PHONE: (507) 732-4095 FAX: (507) 732-4094	SHEET 1 OF 1
<b>PART NUMBER:</b>		
<b>FC-54-74-20-LLWW (X)</b>		