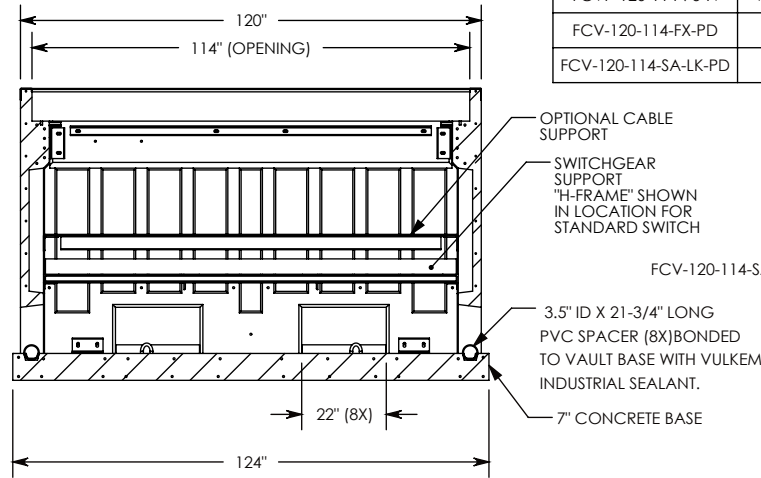
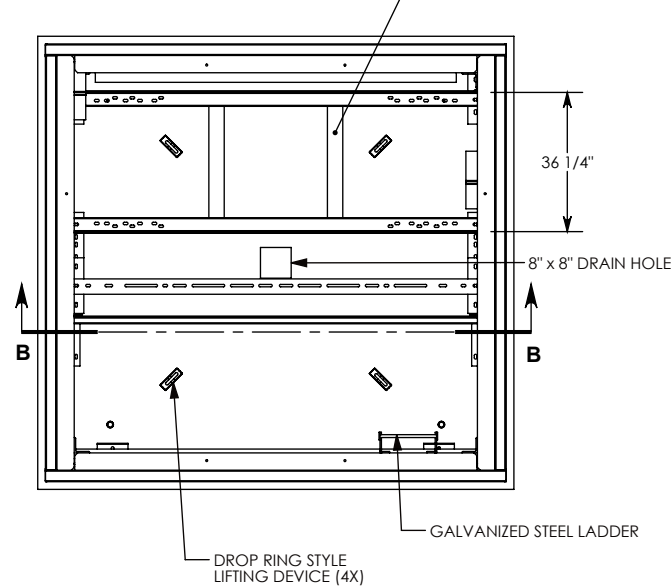
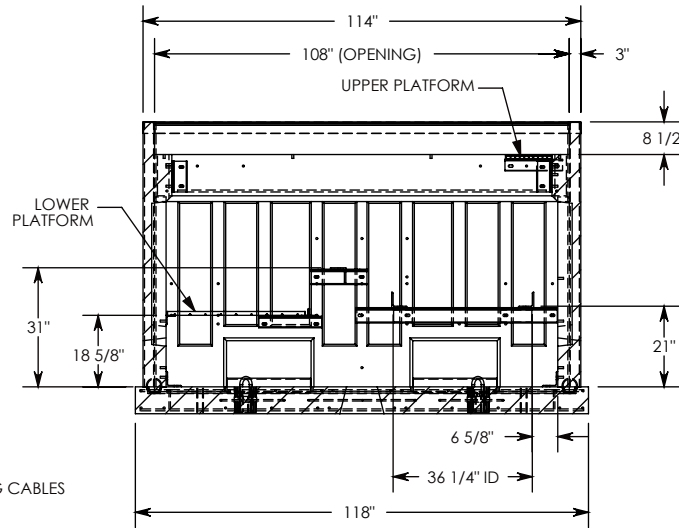
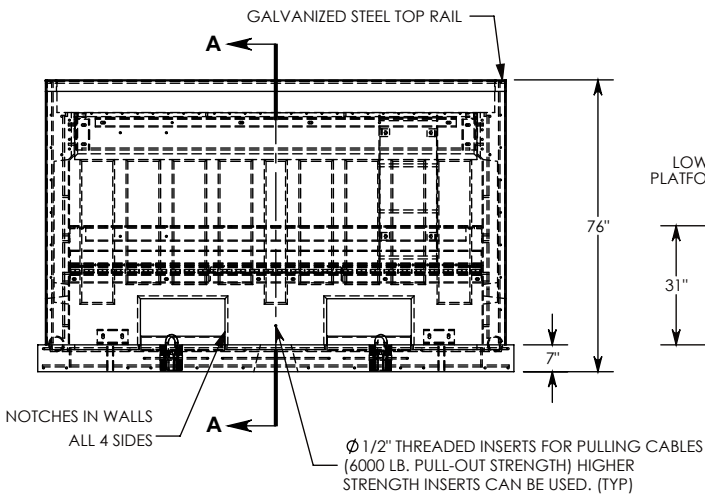


UPPER AND LOWER PLATFORM REMOVED FROM THIS VIEW.

SWITCHGEAR SUPPORT - 3/8" ANGLE (TYP) ADJUSTABLE TO FIT 2, 3, & 4 WAY UNITS. WILL ALSO FIT THE VISTA R1 MODELS.



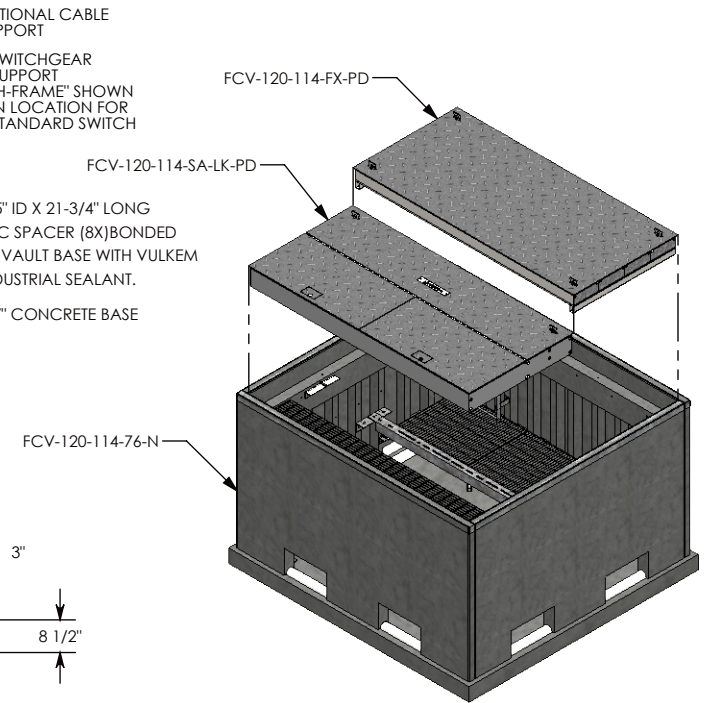
SECTION B-B



SECTION A-A

VAULT PACKAGE BILL OF MATERIALS (BOM)

PART NUMBER	DESCRIPTION	QTY
FCVP-120-114-76-N	VAULT WITH STAINLESS STEEL HARDWARE (HKIT-120-114-SS)	1
FCV-120-114-FX-PD	FIXED STEEL COVER WITH STD. DECK PLATE	1
FCV-120-114-SA-LK-PD	SPRING-ASSISTED STEEL COVER WITH STD. DECK PLATE	1



- NOTES:
1. VAULT BASE AND WALLS MEET AASHTO H-20 HEAVY EQUIPMENT REQUIREMENT 32,000 LB. AXLE LOAD. OVERALL VAULT RATING DEPENDENT ON COVERS.
 2. DESIGNED PER S & C PULL BOX SPECIFICATIONS DATA SHEET 681-51. INCLUDING ALL OPTIONAL INTERIOR STEEL HARDWARE.
 3. ALL INTERNAL HARDWARE IS STAINLESS STEEL.
 4. VAULT COMES PRE-ASSEMBLED WITH COVERS REMOVED FOR EASY INSTALLATION OF YOUR SWITCHGEAR.
 5. UNIT MUST BE LIFTED VIA THE FOUR CAST-IN, DROP RING LIFTING DEVICES SHOWN.
 6. LISTED WEIGHT IS THE ASSEMBLED VAULT WITH THE COVER.

DRAWN BY: **JESSE GUTTING**

CREATED DATE: **10/20/2009** REVISION LEVEL: **0**

SAVED DATE: **3/23/2020** SAVED BY: **jgutting**

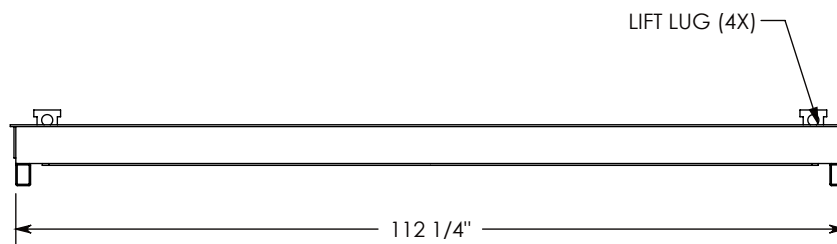
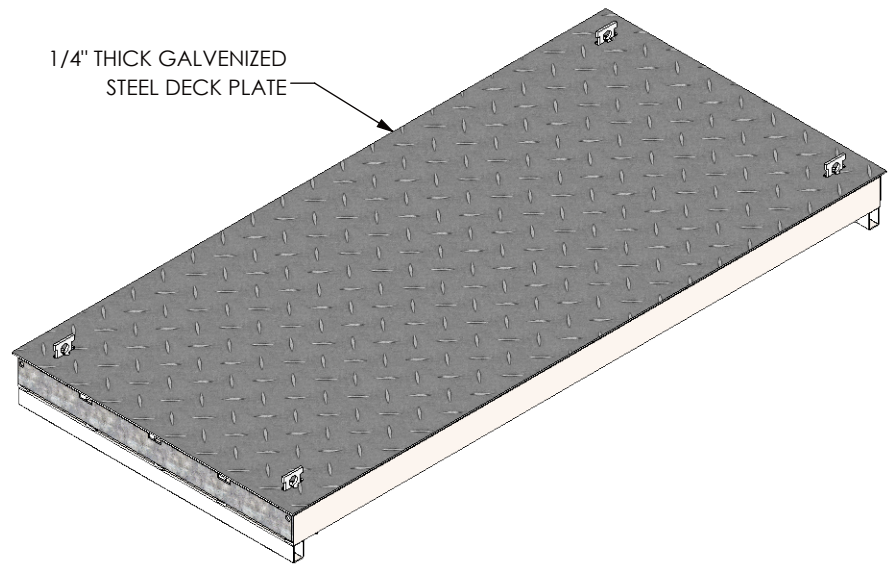
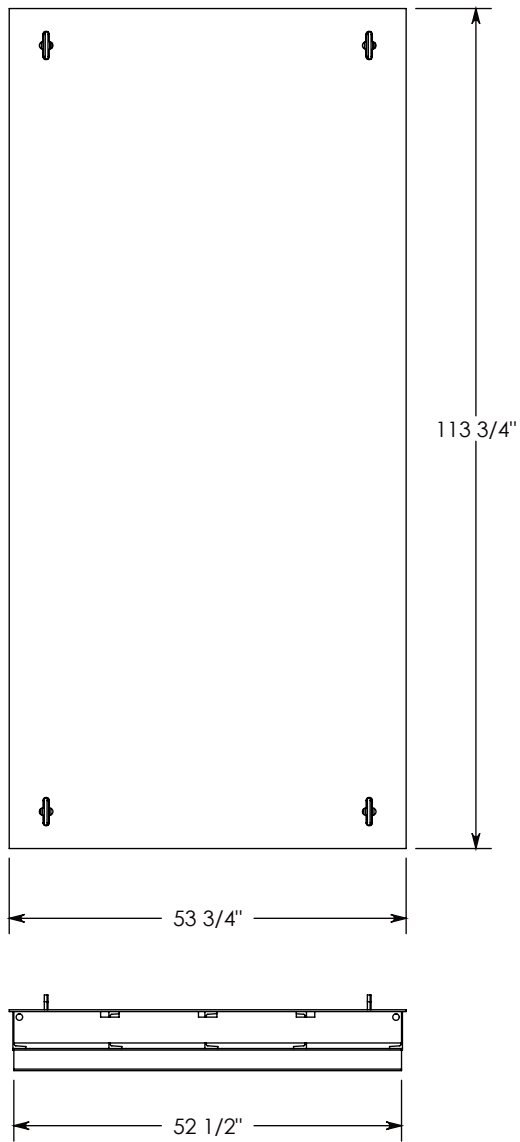
WEIGHT: **22327 LBS.** MATERIAL: **NOTED**

1010 NORTH STAR DRIVE
P.O. BOX 69
ZUMBROTA, MN 55992-0069

DESCRIPTION:
PRECAST CONCRETE VAULT

DIMENSIONS ARE IN INCHES TOLERANCES: FRACTIONAL: ± 1/8" ANGULAR: ± 2°	CONTACT INFORMATION: EMAIL: INFO@CONCASTINC.COM PHONE: (507) 732-4095 FAX: (507) 732-4094	SHEET 1 OF 3
--	---	--------------

PART NUMBER:
FCVP-120-114-76-N



NOTE 1: COVER FITS A 120-114 VAULT (OPENING SIZE = 114" X108")

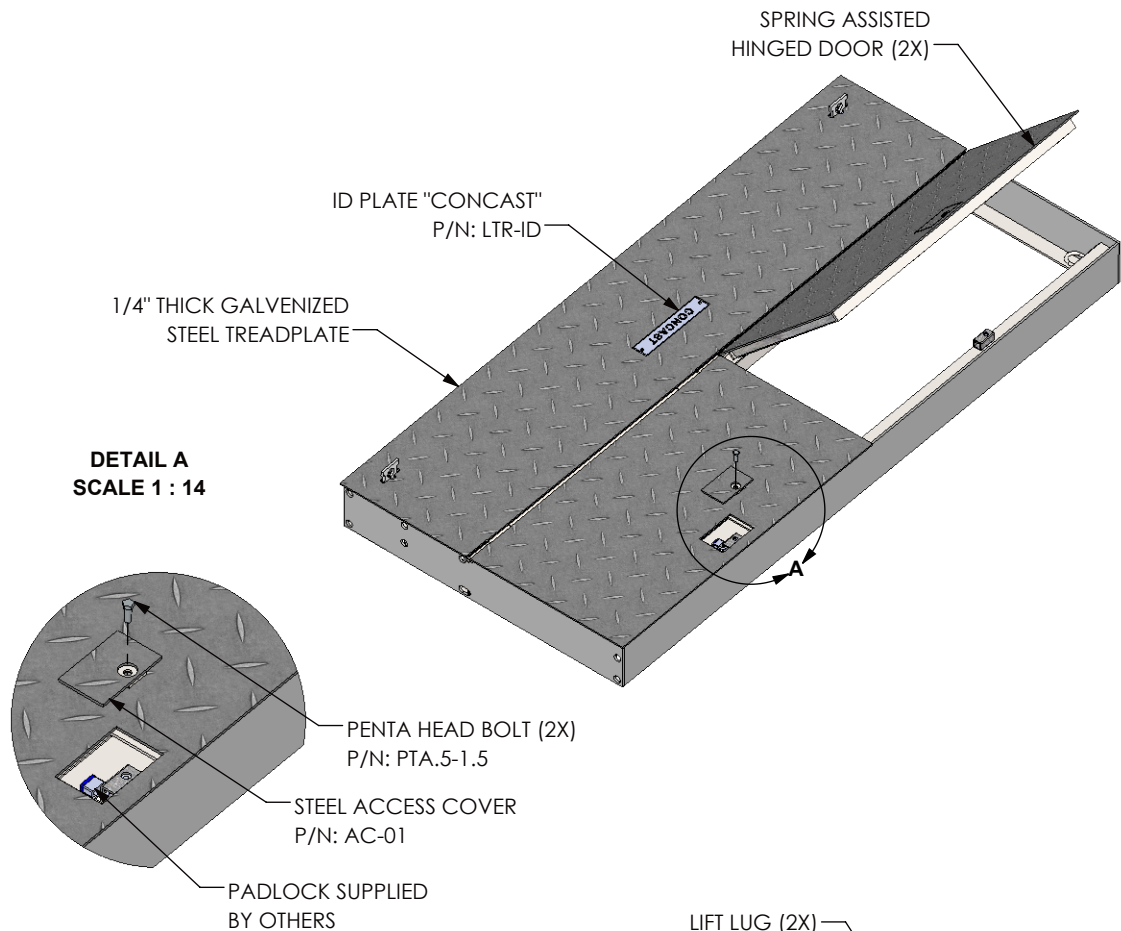
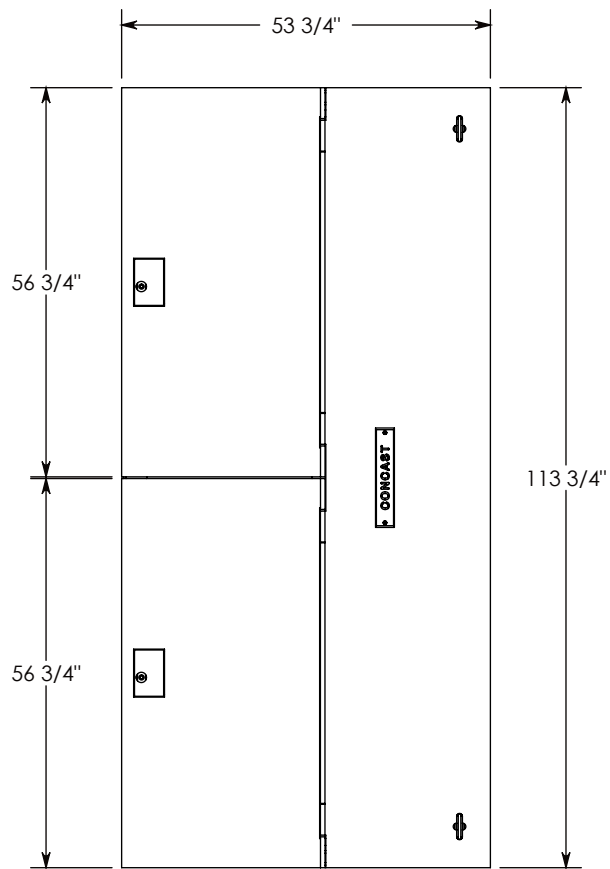
PEDESTRIAN RATED - 200 LB. PER SQ. FOOT

DRAWN BY: JESSE GUTTING	
CREATED DATE: 10/20/2009	REVISION LEVEL: 0
SAVED DATE: 3/23/2020	SAVED BY: jgutting
WEIGHT: 907 LBS.	MATERIAL: WELDED GALV. STEEL

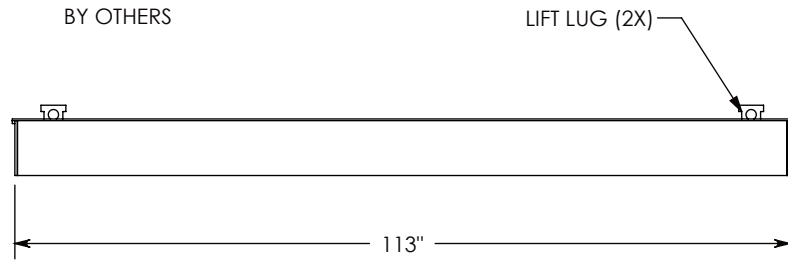
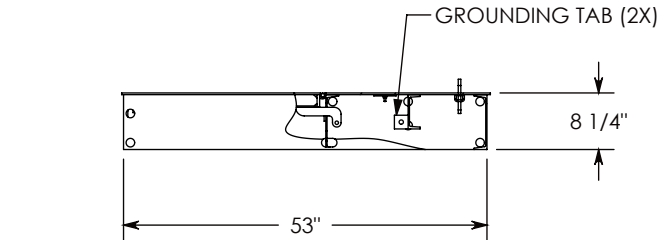
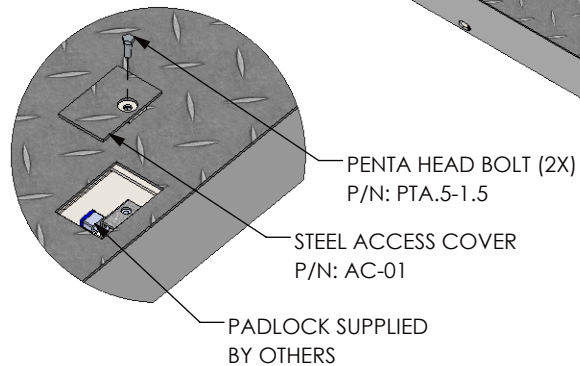


CONCAST
 1010 NORTH STAR DRIVE
 P.O. BOX 69
 ZUMBROTA, MN 55992-0069

DESCRIPTION: VAULT COVER - FIXED		SHEET 2 OF 3
DIMENSIONS ARE IN INCHES TOLERANCES: FRACTIONAL: ± 1/8" ANGULAR: ± 2°	CONTACT INFORMATION: EMAIL: INFO@CONCASTINC.COM PHONE: (507) 732-4095 FAX: (507) 732-4094	
PART NUMBER: FCV-120-114-FX-PD		



**DETAIL A
SCALE 1 : 14**



NOTE 1: COVER FITS A 120-114 VAULT (OPENING SIZE = 114" X108")

PEDESTRIAN RATED - 200 LB. PER SQ. FOOT

DRAWN BY: JESSE GUTTING	
CREATED DATE: 10/20/2009	REVISION LEVEL: 0
SAVED DATE: 3/23/2020	SAVED BY: jgutting
WEIGHT: 911 LBS.	MATERIAL: NOTED



1010 NORTH STAR DRIVE
P.O. BOX 69
ZUMBROTA, MN 55992-0069

DESCRIPTION: VAULT COVER - HINGED		SHEET 3 OF 3
DIMENSIONS ARE IN INCHES TOLERANCES: FRACTIONAL: ± 1/8" ANGULAR: ± 2°	CONTACT INFORMATION: EMAIL: INFO@CONCASTINC.COM PHONE: (507) 732-4095 FAX: (507) 732-4094	
PART NUMBER: FCV-120-114-SA-LK-PD		