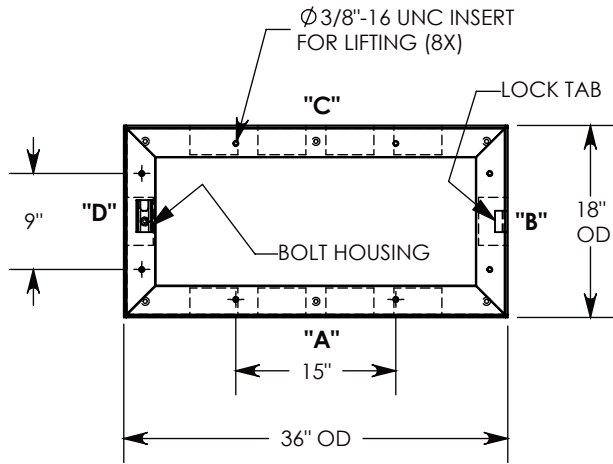
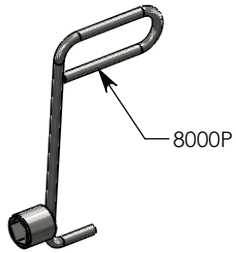
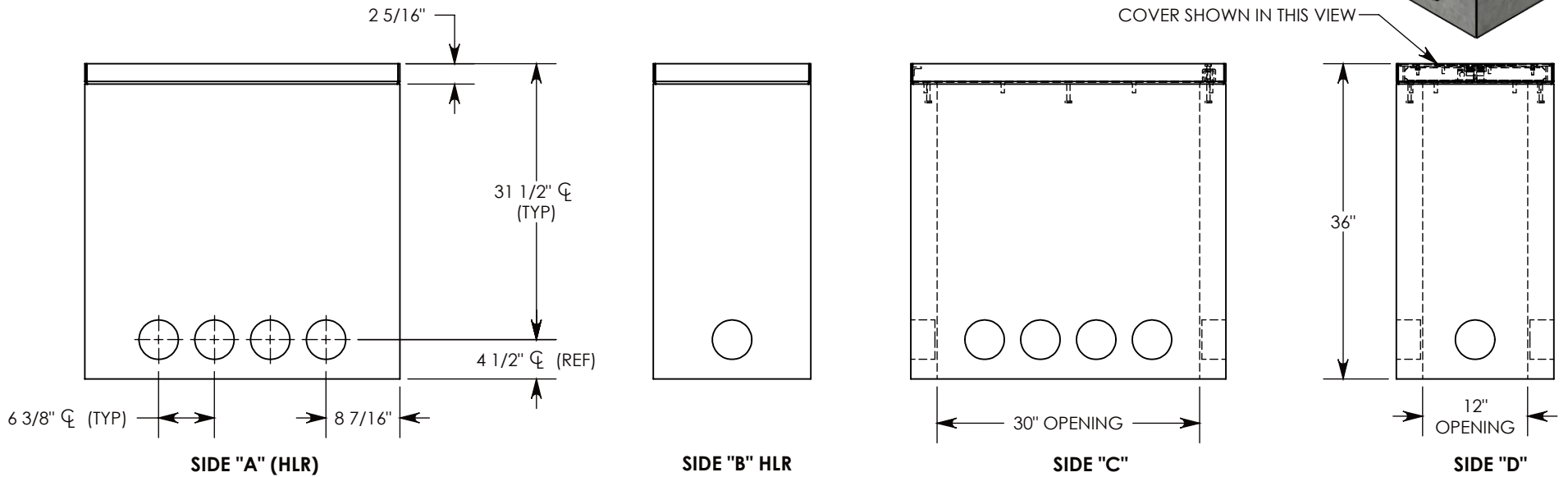
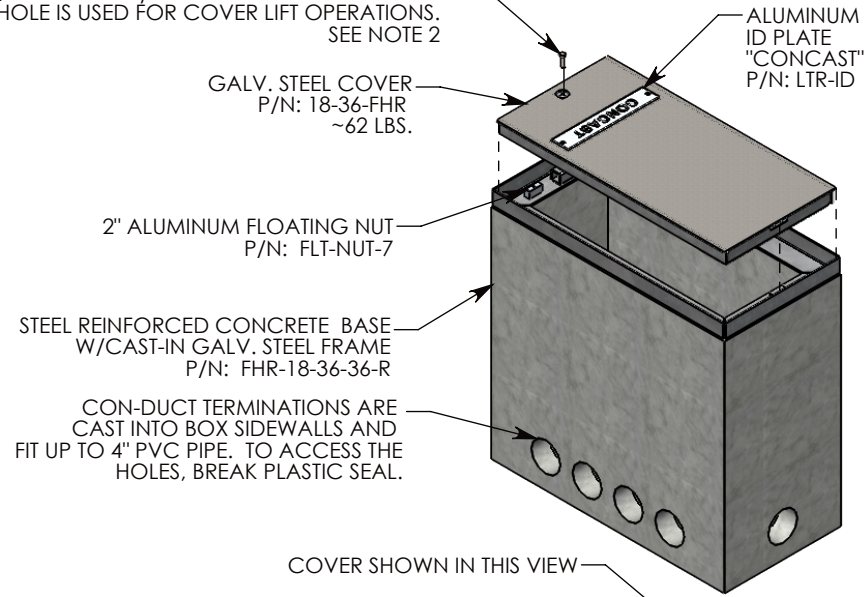


OPTIONAL PENTAHEAD SOCKET-EQUIPPED LIFTING TOOL



3/8-16 UNC X 1.5" LG PENTA HD BOLT (P/N: PTA.38-1.5) FOR SECURING THE COVER. BOLT HOLE IS USED FOR COVER LIFT OPERATIONS. SEE NOTE 2



NOTE 1: FOR PVC SIZES SMALLER THAN 4", USE CONCAST RC41 (REDUCING COUPLER).
NOTE 2: FOR ADDED SECURITY, REPLACE PENTAHEAD BOLTS WITH SURELOCK BOLTS AND ORDER UNDER P/N: FHRSL-18-36-36

H20 RATED - 32,000 LB. PER AXLE LOAD.

| | |
|---------------------------------|--------------------------|
| DRAWN BY: ROBIN FLINT | |
| DATE: 4/24/2016 | REVISION LEVEL: 0 |
| WEIGHT: 849 LBS. W/COVER | MATERIAL: NOTED |

1010 NORTH STAR DRIVE
P.O. BOX 69
ZUMBROTA, MN 55992-0069

| | | |
|--|--|--------------|
| DESCRIPTION: | | |
| HEAVY TRAFFIC HANDHOLE | | |
| DIMENSIONS ARE IN INCHES TOLERANCES: FRACTIONAL: ± 1/8" ANGULAR: ± 2° | CONTACT INFORMATION: EMAIL: INFO@CONCASTINC.COM PHONE: (507) 732-4095 FAX: (507) 732-4094 | SHEET 1 OF 1 |
| PART NUMBER: | | |
| FHR-18-36-36 | | |