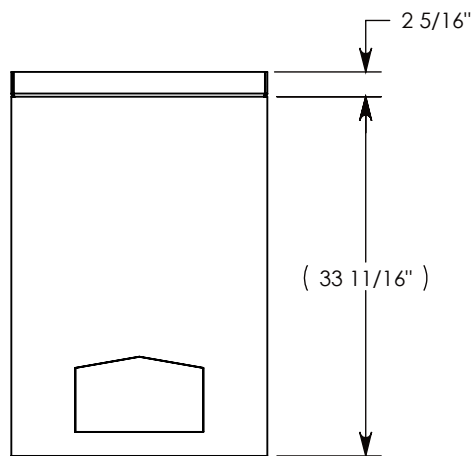
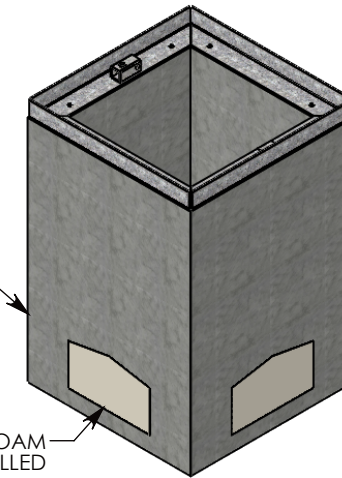
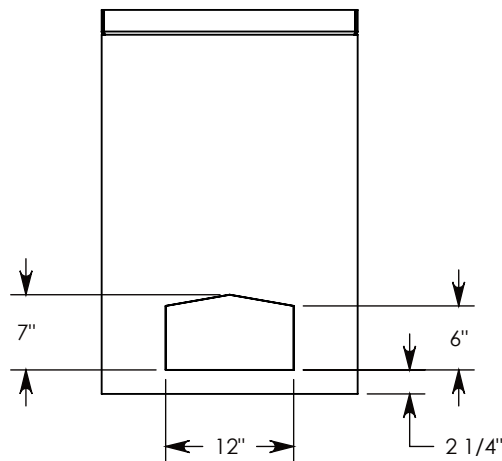


STEEL REINFORCED CONCRETE BASE
W/ CAST-IN GALV. STEEL FRAME

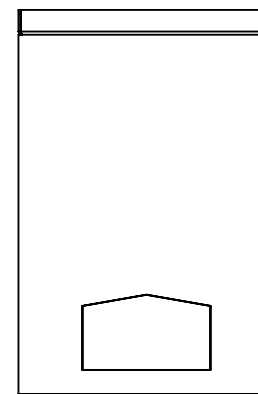
CAST-IN HIGH DENSITY FOAM
TO BE FIELD DRILLED



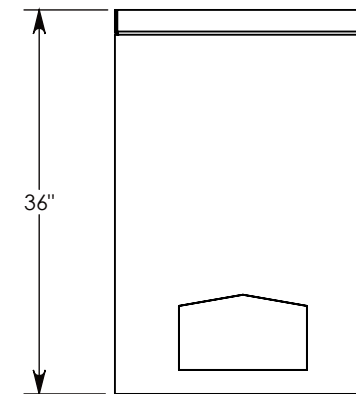
SIDE "A"



SIDE "B"



SIDE "C"



SIDE "D"

DRAWN BY: MALACHI MLINAR

CREATED DATE: 7/1/2021 **REVISION LEVEL:** 0

SAVED DATE: 7/1/2021 **SAVED BY:** mmlinar

WEIGHT: 649 LBS. **MATERIAL:** NOTED

CONCAST
1010 NORTH STAR DRIVE
P.O. BOX 69
ZUMBROTA, MN 55992-0069

DESCRIPTION:
HEAVY TRAFFIC HANDHOLE

DIMENSIONS ARE IN INCHES
TOLERANCES:
FRACTIONAL: $\pm 1/8"$
ANGULAR: $\pm 2^\circ$

CONTACT INFORMATION:
EMAIL: INFO@CONCASTINC.COM
PHONE: (507) 732-4095
FAX: (507) 732-4094

SHEET 1 OF 1

PART NUMBER: FHR-24-24-36-S81