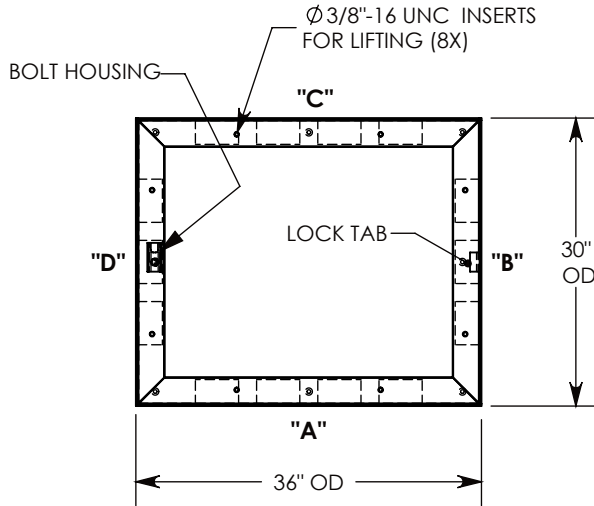


**OPTIONAL PENTAHEAD SOCKET-EQUIPPED LIFTING TOOL**



3/8-16 UNC X 1.5\"/>

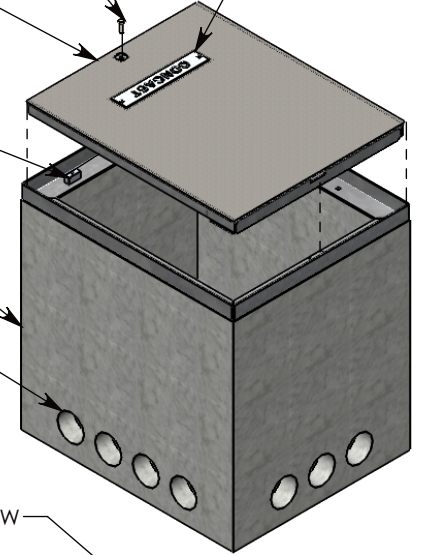
GALV. STEEL COVER  
P/N: 30-36-FHR  
~114 LBS

ALUMINUM ID PLATE  
"CONCAST"  
P/N: LTR-ID

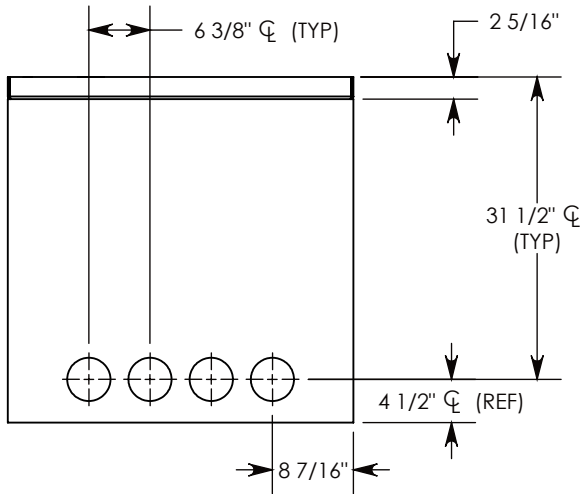
2\"/>

STEEL REINFORCED CONCRETE BASE  
W/CAST-IN GALV. STEEL FRAME  
P/N: FHR-30-36-36-R

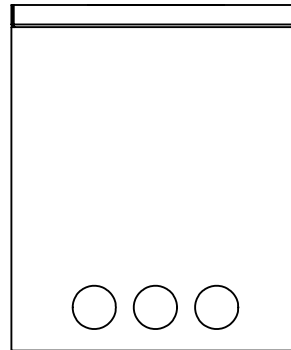
CON-DUCT TERMINATIONS ARE  
CAST INTO BOX SIDEWALLS AND  
FIT UP TO 4\"/>



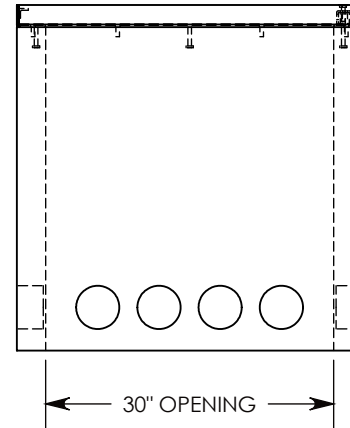
COVER SHOWN IN THIS VIEW



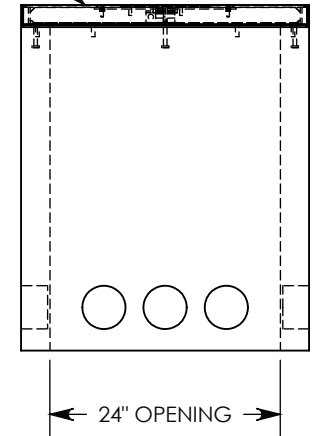
**SIDE "A" (HLR)**



**SIDE "B" (HLR)**



**SIDE "C"**



**SIDE "D"**

**NOTE 1:** FOR PVC SIZES SMALLER THAN 4", USE CONCAST RC41 (REDUCING COUPLER).

**NOTE 2:** FOR ADDED SECURITY, REPLACE PENTAHEAD BOLTS WITH SURELOCK BOLTS AND ORDER UNDER P/N: FHRSL-30-36-36

H2O RATED - 32,000 LB. PER AXLE LOAD.

**DRAWN BY: ROBIN FLINT**

**DATE: 4/23/2016**

**REVISION LEVEL: 0**

**WEIGHT:**

**MATERIAL:**

**1092 LBS. W/COVER**

**NOTED**



**DESCRIPTION:**

**HEAVY TRAFFIC HANDHOLE**

DIMENSIONS ARE IN INCHES  
TOLERANCES:  
FRACTIONAL: ± 1/8"  
ANGULAR: ± 2°

CONTACT INFORMATION:  
EMAIL: INFO@CONCASTINC.COM  
PHONE: (507) 732-4095  
FAX: (507) 732-4094

SHEET 1 OF 1

**PART NUMBER:**

**FHR-30-36-36**