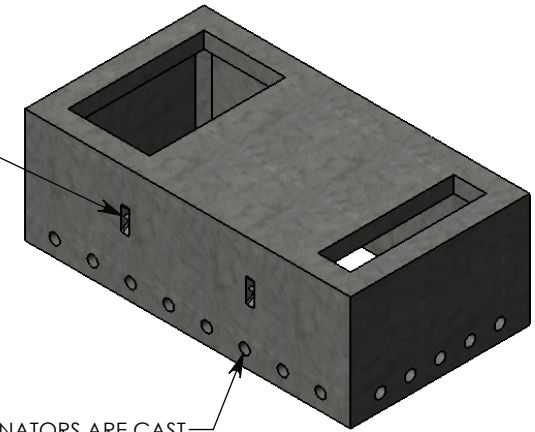
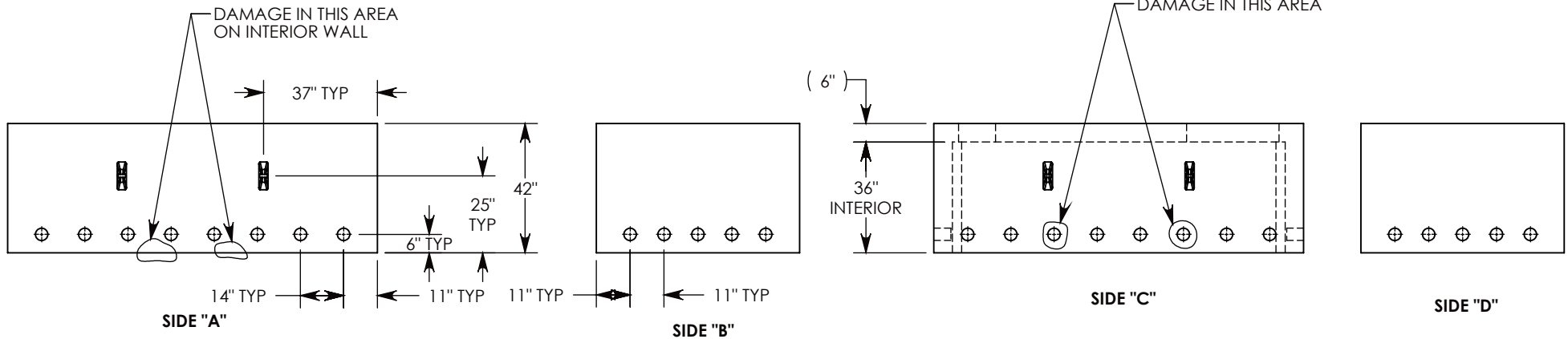


A-ANCHORS FOR LIFTING (4X)



CON-DUCT TERMINATORS ARE CAST INTO BOX SIDE WALLS. 8 PER SIDE (2X) AND 5 PER SIDE (2X) THEY FIT UP TO 4" PVC PIPE. TO ACCESS THE HOLES, BREAK THE PLASTIC SEAL.



DRAWN BY: MALACHI MLINAR

DATE: 6/3/2020

REVISION LEVEL: 0

WEIGHT:

8907 LBS.

MATERIAL:

CONCRETE



DESCRIPTION:

CONCRETE PULL BOX

DIMENSIONS ARE IN INCHES

TOLERANCES:
FRACTIONAL: $\pm 1/8"$
ANGULAR: $\pm 2^\circ$

CONTACT INFORMATION:
EMAIL: INFO@CONCASTINC.COM
PHONE: (507) 732-4095
FAX: (507) 732-4094

SHEET 1 OF 1

PART NUMBER:

PB-66-120-42-S45