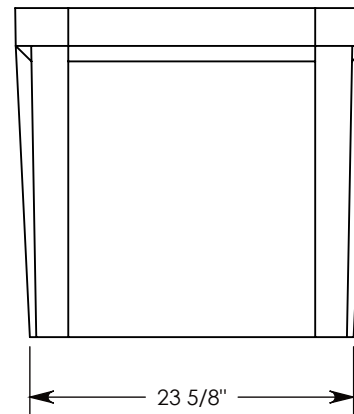
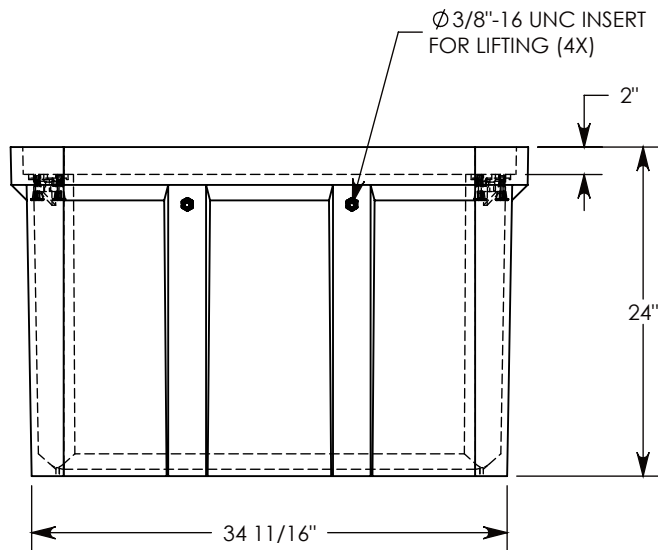


SOME OUTER WALLS MAY  
CONTAIN A FEW SMALL  
SURFACE CRACKS  
(NON-STRUCTURAL DEFECT)



**DRAWN BY:** MALACHI MLINAR

**CREATED DATE:** 7/18/2022 **REVISION LEVEL:** 0

**SAVED DATE:** 7/18/2022 **SAVED BY:** mmlinar

**WEIGHT:** 197 LBS. **MATERIAL:** POLYMER

**CONCAST**  
1010 NORTH STAR DRIVE  
P.O. BOX 69  
ZUMBROTA, MN 55992-0069

**DESCRIPTION:**  
**POLYMER HAND HOLE BASE**

DIMENSIONS ARE IN INCHES  
TOLERANCES:  
FRACTIONAL:  $\pm 1/8"$   
ANGULAR:  $\pm 2^\circ$

CONTACT INFORMATION:  
EMAIL: INFO@CONCASTINC.COM  
PHONE: (507) 732-4095  
FAX: (507) 732-4094

SHEET 1 OF 1

**PART NUMBER:**  
**PH-24-36-24-S86**