

CONCAST INC.

CONCAST INC. BUILDING ADDITION



A few photo's showing the progress on our addition...

As you may know Concast Inc. is growing, and the only way we could keep up with our ever growing number of forms was to add-on.

Last fall we broke ground on our new 60' X 200' addition. The new area went in along the North end of the building, where we had plenty of land to expand into. We decided to go with an all steel building for various reasons.

The main reason for the addition was to give us more room in our existing plant. Not only more room for production, but also more room for curing in the cold winter months. Another reason the extra room was need was to get all our forms at one site. Until now we were storing our forms at another location a few blocks from our production site. In upcoming news-

Inside this Newsletter:

CONCAST'S ADDITION:

Concast is growing!

SCADA TRENCH:

New application for our trench system

NEW PRODUCT:

New product in the works...
12' x 6' Pull Box

JEAN KOHLER 25 YEARS:

Jean is celebrating her 25th year with Concast Inc.



Picture shows the footings, one of the first steps in the new addition.



Assembling the footing forms.

letters we will follow up on the building addition and show you more pictures of our progress and also fill you in on the face lift our existing building has undergone.

SCADA TRENCH

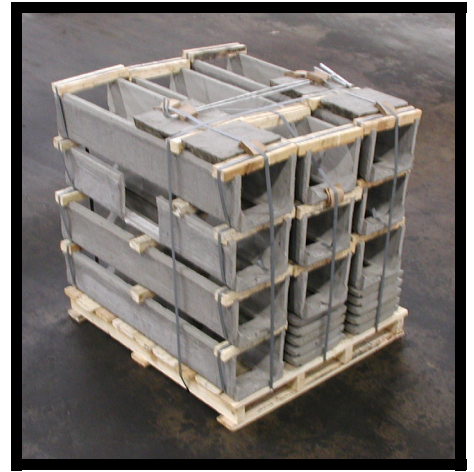
With interior dimensions that measure 10" wide by 8" deep by 4' long,

this little trench can go just about anywhere. SCADA is a term used in the Telecommunications industry that stands for **Supervisory Control And Data Acquisition**. Another great advantage of this trench is the savings in shipping. 801008 bundles are compact and when ordered in a quantity can be a real savings. The bundle as shown (*see picture at right*) gives you 40' of trench with (1) Universal Channel to form a "T". It also comes with all the covers, lifting tools, and endplates you would need.



801008

With a part number like 801008 you know it can't be very deep! This new shallow (8" deep) trench was designed especially for the telecommunications industry, but could also be applied to many other applications.



801008 BUNDLE

There will be more to come in upcoming newsletters on this exciting product...

NEW PRODUCT

This new Box will measure 6' x 12' and will be constructed of 36" high

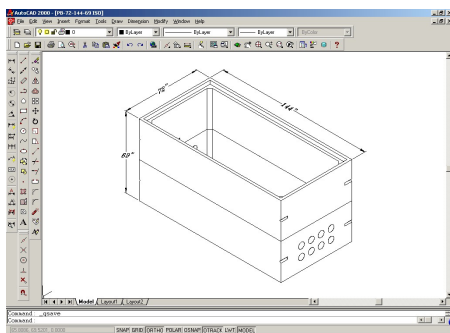
We are currently working on a brand new product at Concast that we feel will fill a void in our product line up. It's a Medium/Large Stackable Concrete Box.

rings to give our customers more versatility. Not only will the height be able to change, but also the 12' length. From this one mold we will be able to bring you everything from a (6' x 6') Box to a (6' x 12') Box. And like our original Pull Box you will be able to customize any knock-outs and hole configurations.

This Box can be used as a:

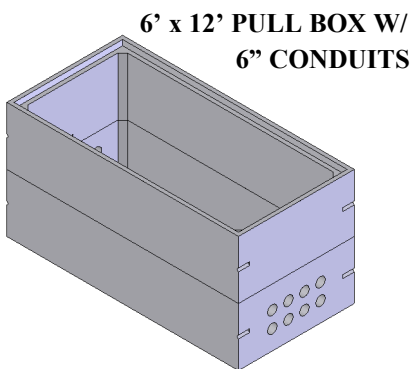
- Vault
- Pull Box
- Submersible Equip. Enclosure
- Junction Box
- Splice Box
- Manhole

If you have any questions about this new product feel free to give us a call.



AutoCad Drawing of Box

We are now in the design and engineering stages of this journey. Our hope is that we will be producing these boxes by early April.



6' x 12' PULL BOX W/
6" CONDUITS



NEW BOX FORM

JEANNE KOHLER 25 YEARS WITH CONCAST

Jeanne Kohler is celebrating her 25th year with Concast Inc. Her hard work and dedication has been an outstanding foundation to the company.

Congratulations Jeanne!

