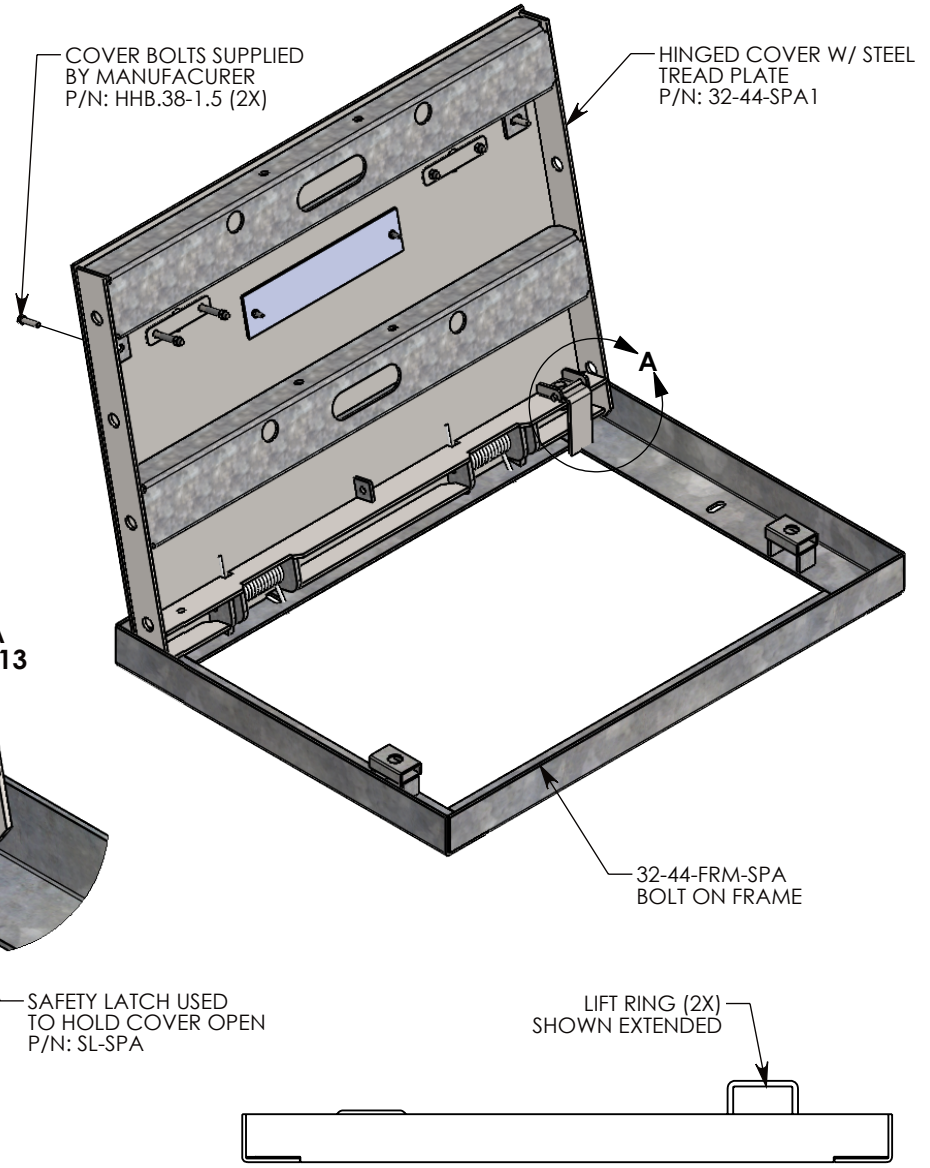
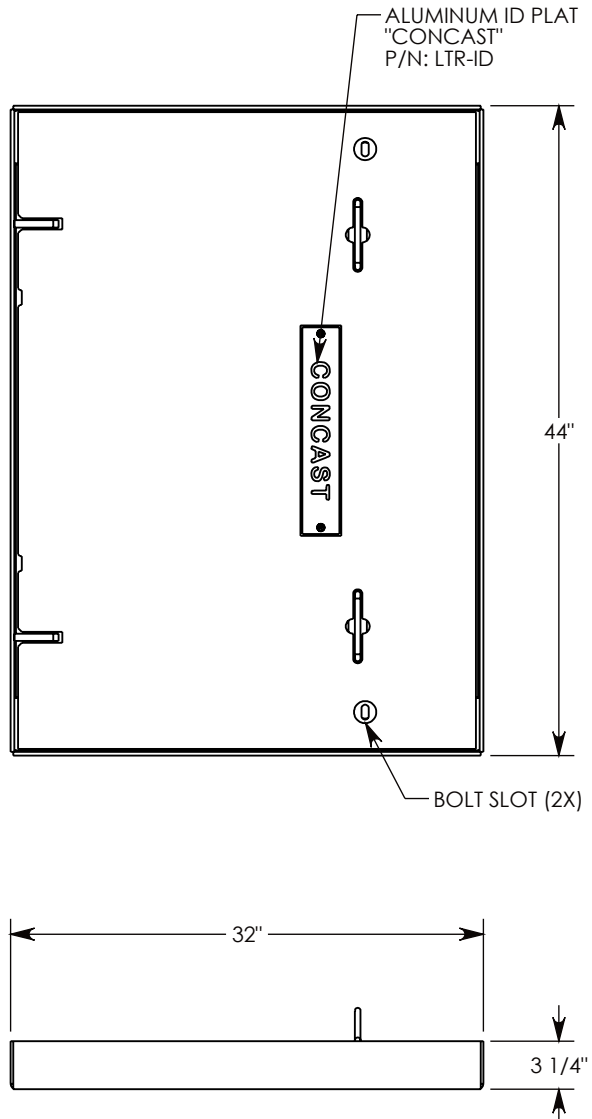


REV. A - RAL - 09/05/17- UDPATED COVER TO TORSION SPRINGS AND UPDATED FRAME
 REV. B - JCG - 11/15/19 - ADDED SAFETY LATCH
 REV. C - SIC - 5/21/2024 - ADDED NOTE 1; UPDATED REVISION NOTE FORMAT; FIXED MODEL ERRORS



NOTE 1: SPA SPRING-ASSIST MECHANISM IS DESIGNED TO OPERATE WITH A MAXIMUM LIFT FORCE OF 70LBS

AASHTO H-20 RATED – 32,000 LB. SINGLE AXLE LOAD

DRAWN BY: ROSS LAGER	
CREATED DATE: 1/21/2020	REVISION LEVEL: C
SAVED DATE: 5/21/2024	SAVED BY: scallahan
WEIGHT: 245 LBS.	MATERIAL: GALV. WELDED STEEL

1010 NORTH STAR DRIVE
 P.O. BOX 69
 ZUMBROTA, MN 55992-0069

DESCRIPTION: SG SPRING-ASSISTED COVER W/BOLT-DOWN	
DIMENSIONS ARE IN INCHES TOLERANCES: FRACTIONAL: ± 1/8" ANGULAR: ± 2°	CONTACT INFORMATION: EMAIL: INFO@CONCASTINC.COM PHONE: (507) 732-4095 FAX: (507) 732-4094
PART NUMBER: 32-44-SPA	
SHEET 1 OF 1	