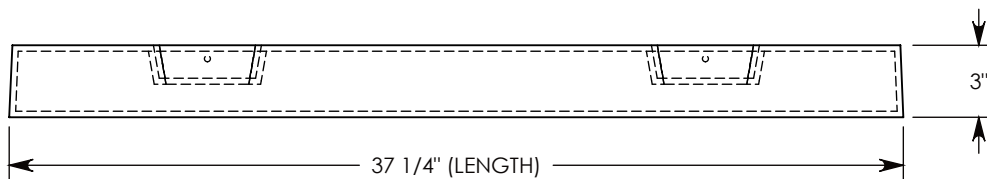
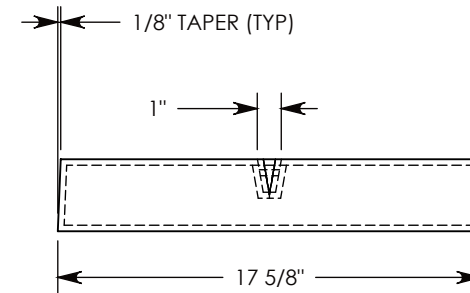
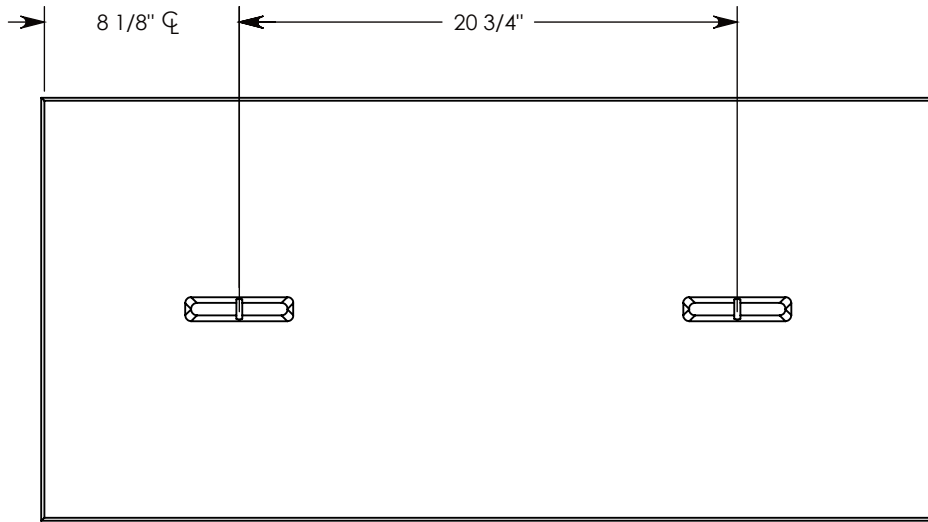
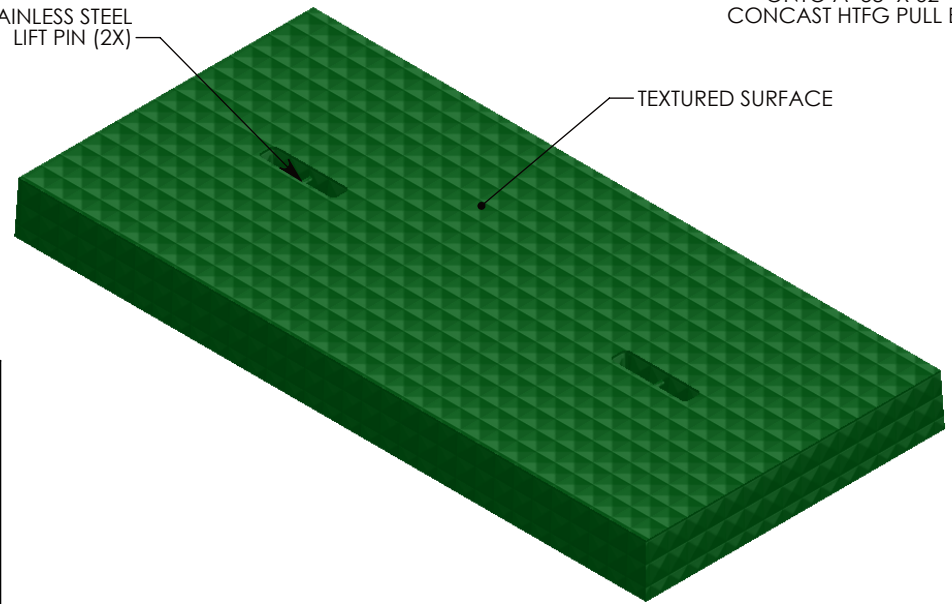


1 OF THESE COVERS ASSEMBLE  
ONTO A 38" X 62" OD  
CONCAST HTFG PULL BOX

STAINLESS STEEL  
LIFT PIN (2X)

TEXTURED SURFACE



NOTE 1: GEL COAT - GREEN

H-20 RATED - 32,000 LB. PER AXLE LOAD.

DRAWN BY: <b>ROBIN FLINT</b>	
DATE: <b>12/30/2015</b>	REVISION LEVEL: <b>0</b>
WEIGHT: <b>80 LBS.</b>	MATERIAL: <b>FIBERGLASS</b>



**CONCAST**  
1010 NORTH STAR DRIVE  
P.O. BOX 69  
ZUMBROTA, MN 55992-0069

<b>DESCRIPTION:</b> <b>HEAVY TRAFFIC FIBERGLASS COVER</b>		
DIMENSIONS ARE IN INCHES TOLERANCES: FRACTIONAL: ± 1/8" ANGULAR: ± 2°	CONTACT INFORMATION: EMAIL: <a href="mailto:INFO@CONCASTINC.COM">INFO@CONCASTINC.COM</a> PHONE: (507) 732-4095 FAX: (507) 732-4094	SHEET 1 OF 1
<b>PART NUMBER:</b> <b>38-18-HTFG</b>		