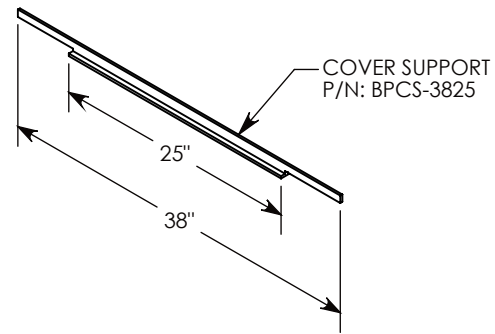
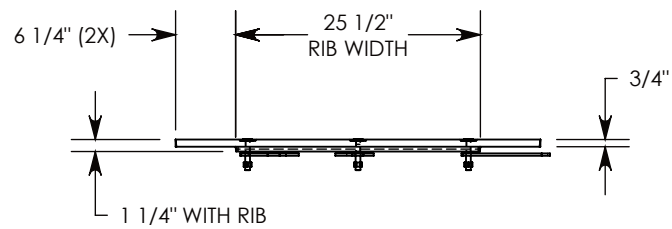
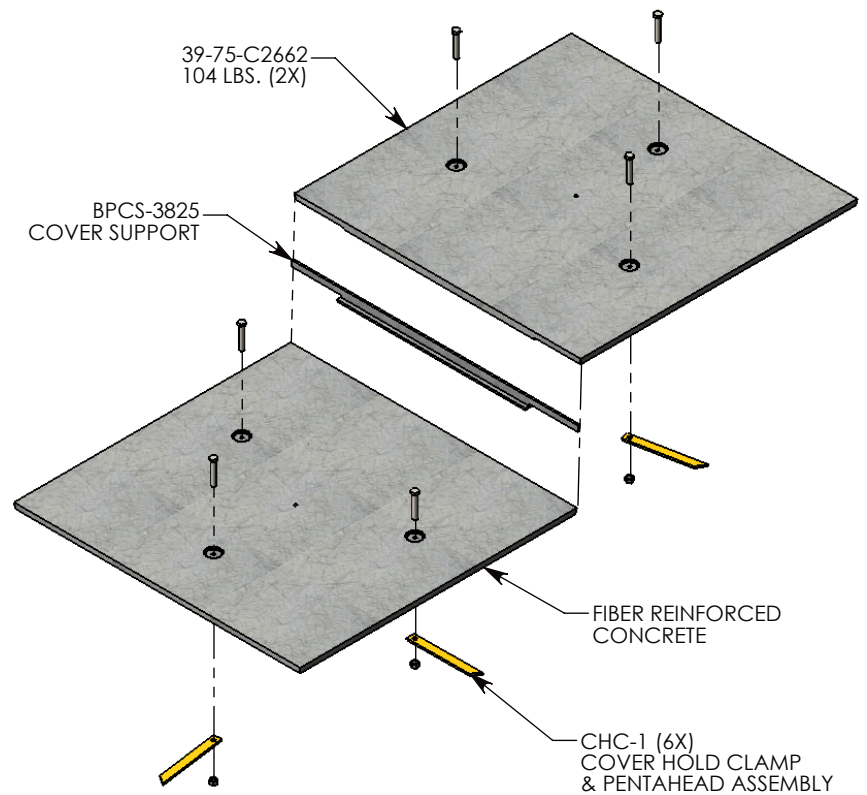
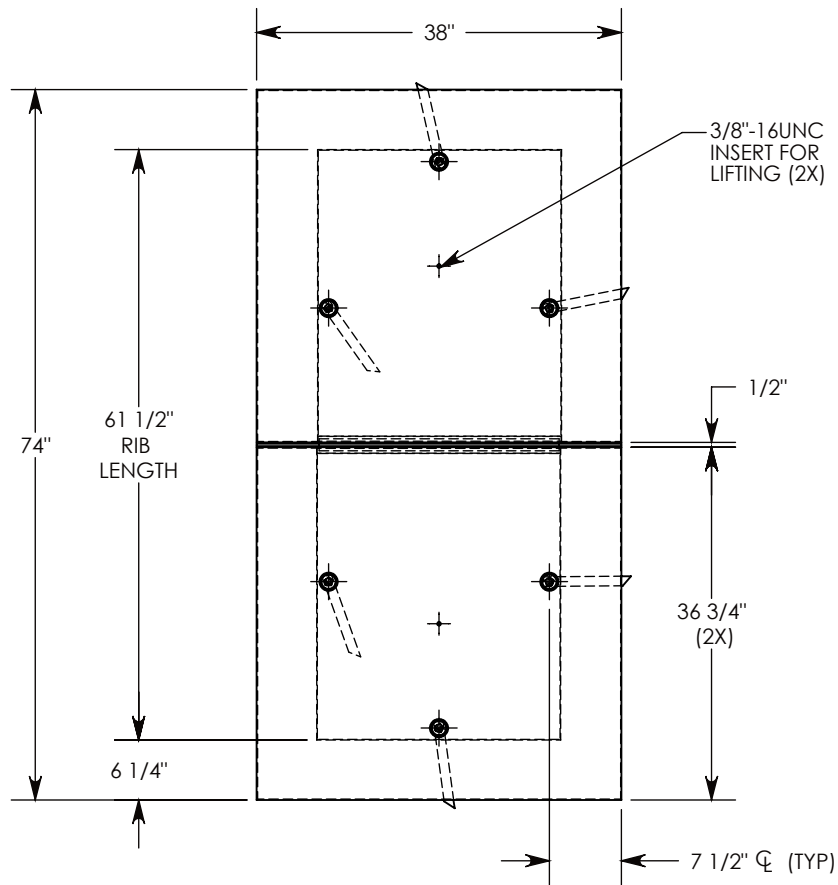


FIBERCRETE[®]



DRAWN BY: ROBIN FLINT	
DATE: 7/10/2012	REVISION LEVEL: 0
WEIGHT:	MATERIAL:
218 LBS. TOTAL	FIBERCRETE



CONCAST
 1010 NORTH STAR DRIVE
 P.O. BOX 69
 ZUMBROTA, MN 55992-0069

DESCRIPTION:		
FIBERCRETE BOX PAD COVERS		
DIMENSIONS ARE IN INCHES TOLERANCES: FRACTIONAL: ± 1/8" ANGULAR: ± 2°	CONTACT INFORMATION: EMAIL: INFO@CONCASTINC.COM PHONE: (507) 732-4095 FAX: (507) 732-4094	SHEET 1 OF 1
PART NUMBER: 39-75-C2662		