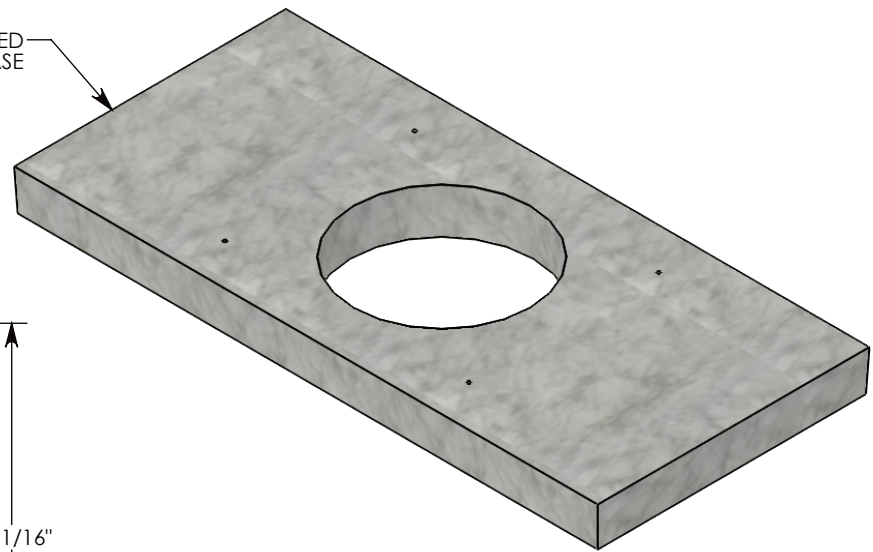
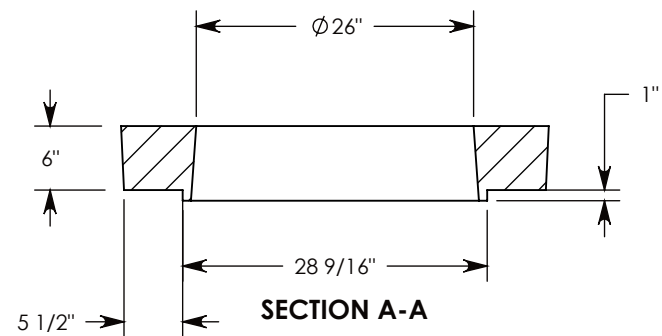
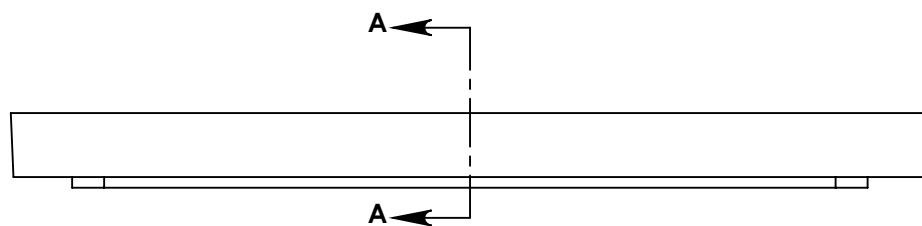
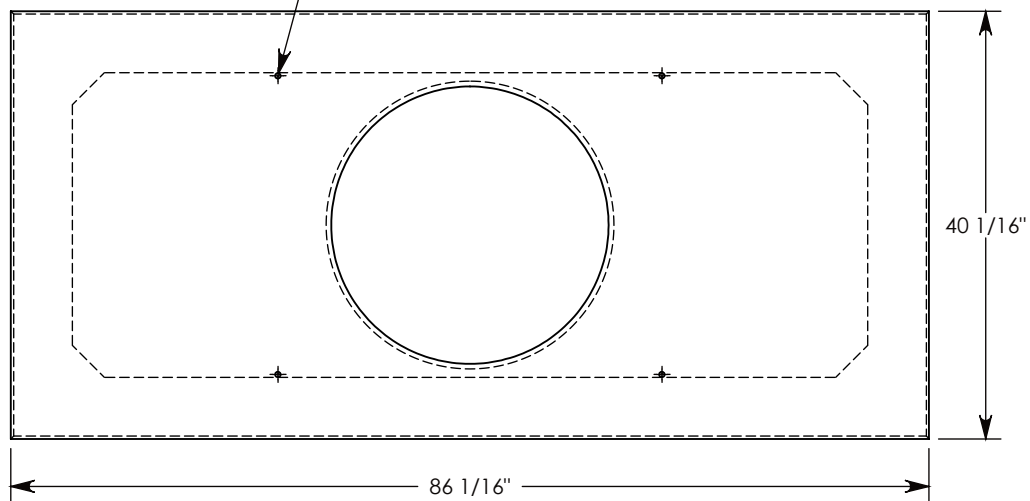


STEEL REINFORCED  
CONCRETE BASE



Ø 1/2"-13 UNC INSERT  
FOR LIFTING (4X)



**NOTE 1:** USE OPTIONAL 4" TALL EXTENSION/GRADE RINGS TO INCREASE HEIGHT OF COVER OPENING. P/N: HE-42  
**NOTE 2:** CAST IRON MANHOLE LID & FRAME ARE INCLUDED WITH THE FINAL PULL BOX ASSEMBLY.

H-20 RATED - 32,000 LB. PER AXLE LOAD.

|                              |                              |
|------------------------------|------------------------------|
| <b>DRAWN BY: ROBIN FLINT</b> |                              |
| <b>DATE: 9/4/2016</b>        | <b>REVISION LEVEL: A</b>     |
| <b>WEIGHT:</b><br>1536 LBS.  | <b>MATERIAL:</b><br>CONCRETE |



**CONCAST**  
 1010 NORTH STAR DRIVE  
 P.O. BOX 69  
 ZUMBROTA, MN 55992-0069

|  |  |
|--|--|
| <b>DESCRIPTION:</b><br><b>MANHOLE COVER BASE</b>                               |  |
| DIMENSIONS ARE IN INCHES<br>TOLERANCES:<br>FRACTIONAL: ± 1/8"<br>ANGULAR: ± 2° | CONTACT INFORMATION:<br>EMAIL: INFO@CONCASTINC.COM<br>PHONE: (507) 732-4095<br>FAX: (507) 732-4094 |
| <b>PART NUMBER:</b><br><b>40-86-MH</b>   |  |
| SHEET 1 OF 1   |  |