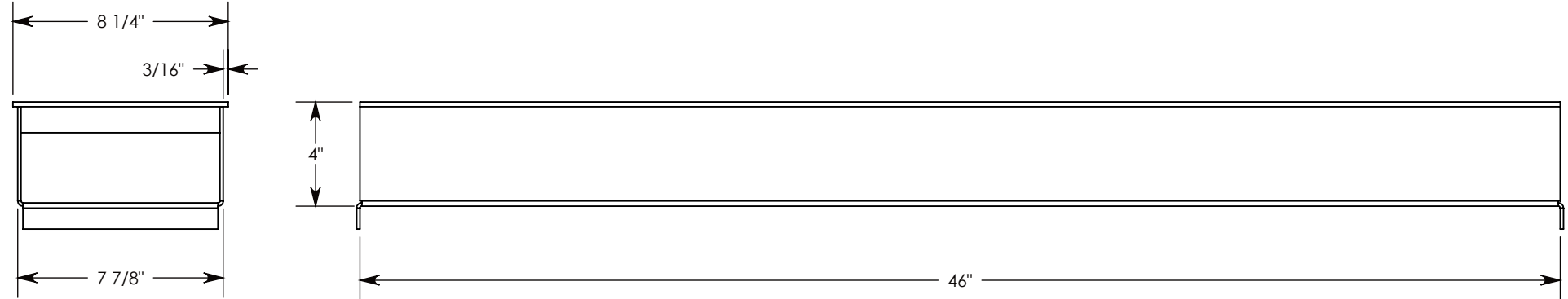
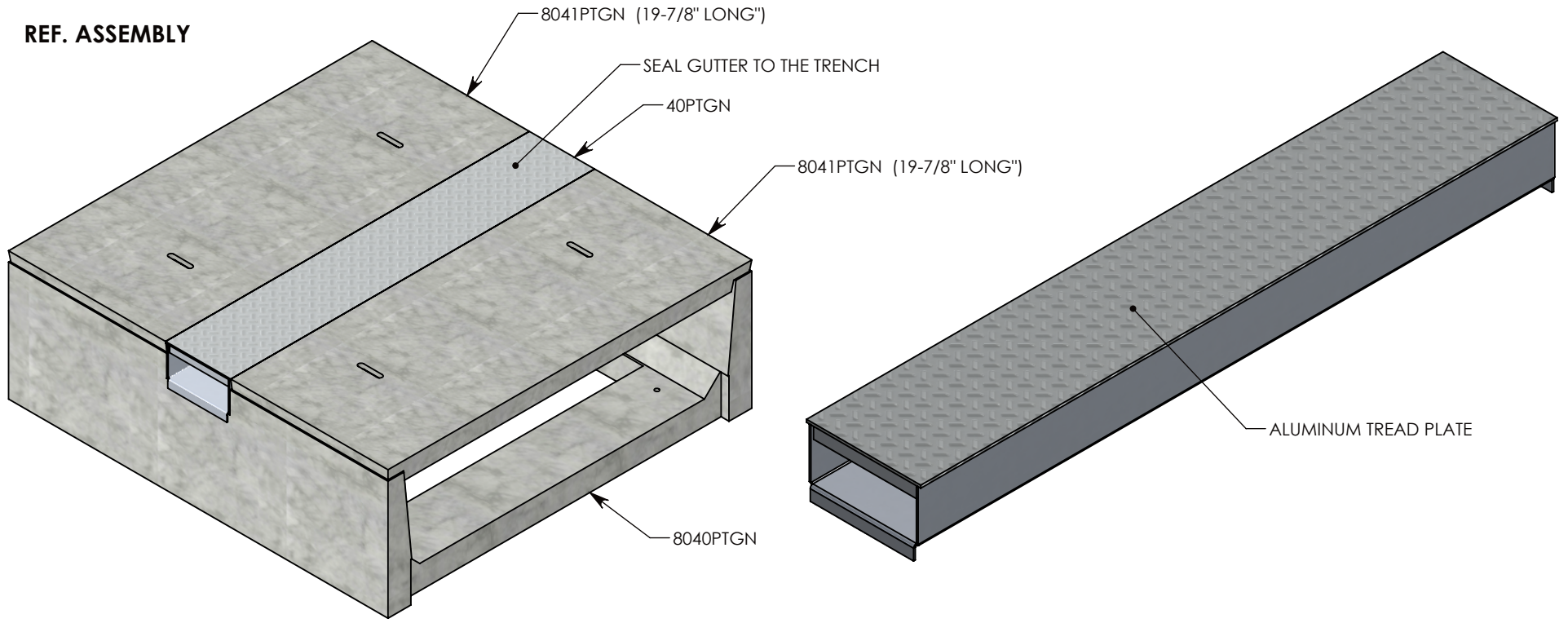


REF. ASSEMBLY



NOTE 1: FITS AN 8040PTGN , 804016PTGN, OR AN 804024PTGN CHANNEL.
NOTE 2: SEAL THE GAP BETWEEN NOTCH & CHANNEL IN THE FIELD.

PEDESTRIAN RATED - 200 LB. PER SQ. FOOT

DRAWN BY: ROBIN FLINT	
DATE: 3/11/2015	REVISION LEVEL: A
WEIGHT: 17 LBS.	MATERIAL: WELDED ALUMINUM



1010 NORTH STAR DRIVE
P.O. BOX 69
ZUMBROTA, MN 55992-0069

DESCRIPTION: GUTTER NOTCH		
DIMENSIONS ARE IN INCHES TOLERANCES: FRACTIONAL: ± 1/8" ANGULAR: ± 2°	CONTACT INFORMATION: EMAIL: INFO@CONCASTINC.COM PHONE: (507) 732-4095 FAX: (507) 732-4094	SHEET 1 OF 1
PART NUMBER: 40PTGN		