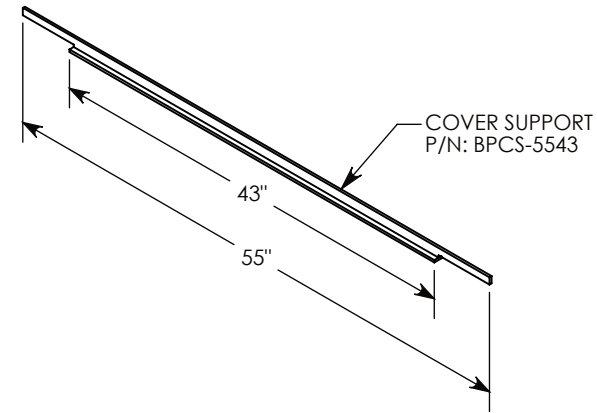
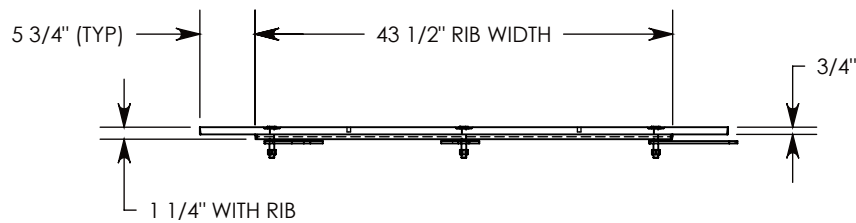
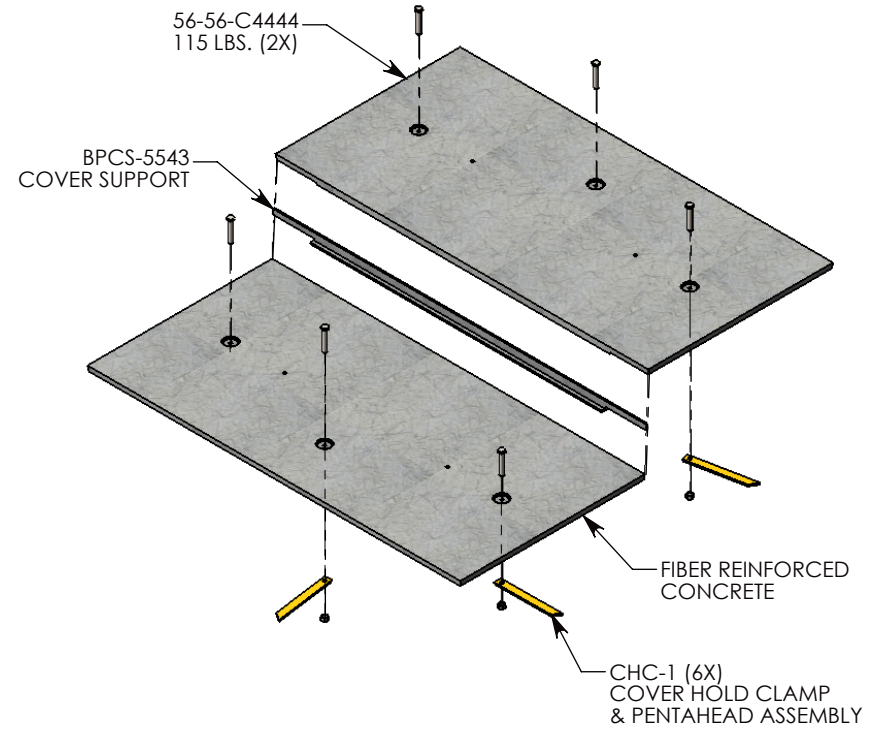
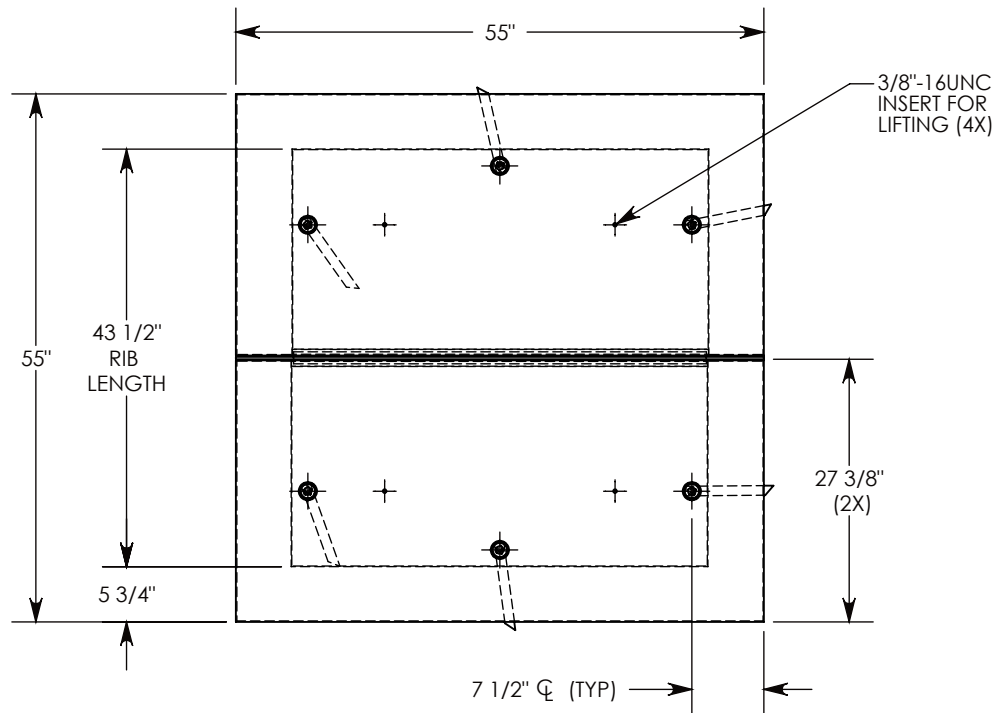


FIBERCRETE®



**DRAWN BY: ROBIN FLINT**

**DATE: 6/7/2012**

**REVISION LEVEL: 0**

**WEIGHT:**

**243 LBS. TOTAL**

**MATERIAL:**

**FIBERCRETE**

**CONCAST**  
1010 NORTH STAR DRIVE  
P.O. BOX 69  
ZUMBROTA, MN 55992-0069

**DESCRIPTION:**

**FIBERCRETE BOX PAD COVERS**

DIMENSIONS ARE IN INCHES  
TOLERANCES:  
FRACTIONAL:  $\pm 1/8"$   
ANGULAR:  $\pm 2^\circ$

CONTACT INFORMATION:  
EMAIL: INFO@CONCASTINC.COM  
PHONE: (507) 732-4095  
FAX: (507) 732-4094

SHEET 1 OF 1

**PART NUMBER:**

**56-56-C4444**