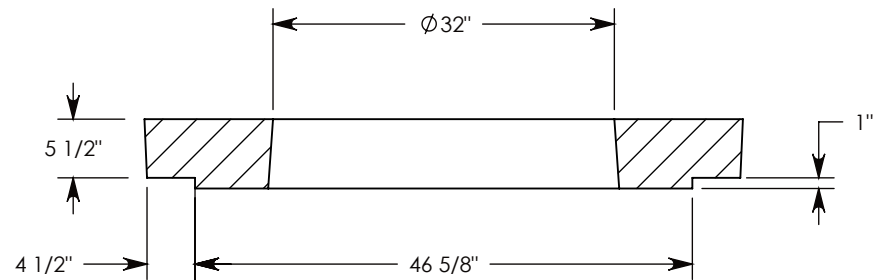
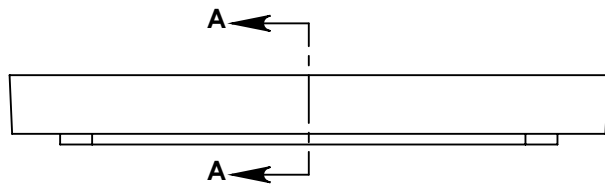
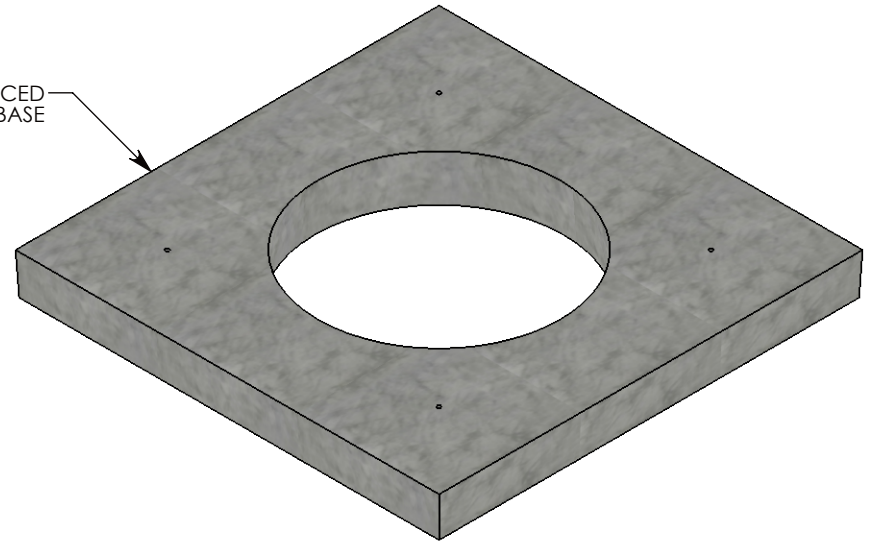


STEEL REINFORCED
CONCRETE BASE



SECTION A-A

NOTE 1: USE OPTIONAL 4" TALL EXTENSION/GRADE RINGS TO INCREASE HEIGHT OF COVER OPENING. P/N: HE-42
NOTE 2: CAST IRON MANHOLE LID & FRAME ARE INCLUDED WITH THE FINAL PULL BOX ASSEMBLY.

H-20 RATED - 32,000 LB. PER AXLE LOAD.

DRAWN BY: ROBIN FLINT		 1010 NORTH STAR DRIVE P.O. BOX 69 ZUMBROTA, MN 55992-0069	DESCRIPTION:		SHEET 1 OF 1
DATE: 2/19/2019	REVISION LEVEL: B		MANHOLE COVER BASE		
WEIGHT: 1142 LBS.	MATERIAL: CONCRETE		DIMENSIONS ARE IN INCHES TOLERANCES: FRACTIONAL: ± 1/8" ANGULAR: ± 2°	CONTACT INFORMATION: EMAIL: INFO@CONCASTINC.COM PHONE: (507) 732-4095 FAX: (507) 732-4094	
		PART NUMBER: 56-56-MH			